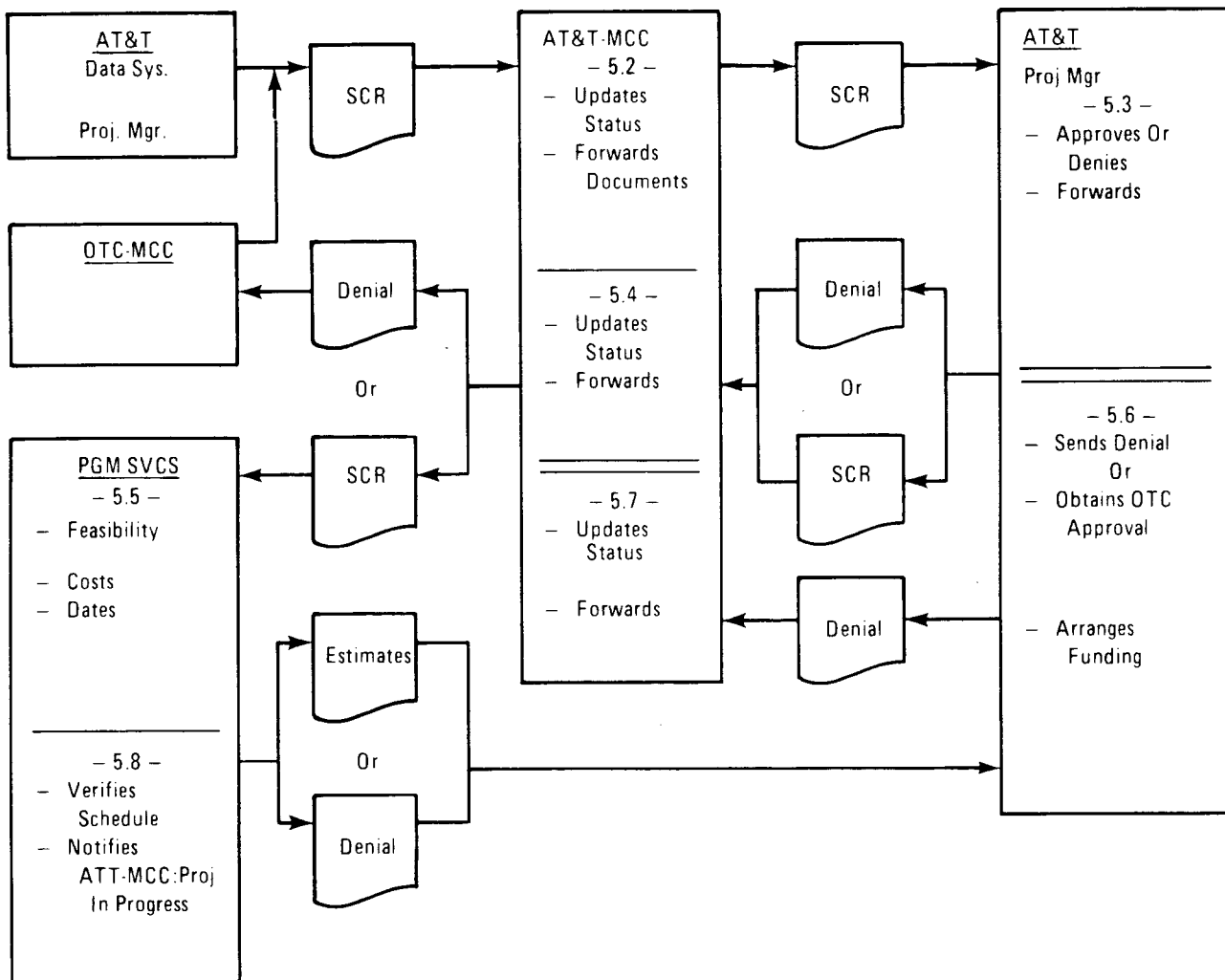


## Change Request Flowchart



**NOTICE**

Not for use or disclosure outside the  
Bell System except under written agreement