

## KS-16831, LIST 4 POWER SUPPLY

### 1. GENERAL

1.01 This section is reissued to correct Table A.

1.02 The KS-16831, List 4 power supply derives 48-volt or 24-volt dc from commercial 115-volt 60-cycle ac power. It provides 100 ma at either voltage.

1.03 The current drain should be maintained at 100 ma for best regulation. A bleeder resistor should be used if the load does not drain the full 100 ma.

1.04 Fig. 1 shows the power supply with cover removed. See Fig. 2 for schematic diagram.

1.05 Table A lists values of bleeder resistor required. Table B lists bleeder resistors required with KS-16831 amplifier.

### 2. INSTALLATION

2.01 The KS-16831, List 4 power supply is designed for mounting in the KS-16831, List 5 carrying case and the 467-type apparatus case. Mounting hardware is supplied with the cases.

2.02 See Fig. 2 for strapping to adjust output for 24 volts or 48 volts. The 24-volt tap is not used with the KS-16831, List 1 or List 3 amplifiers.

2.03 SK station wire should be used to connect the power supply to the KS-16831 amplifiers.



*The ac power must be disconnected from the power supply while working on it.*

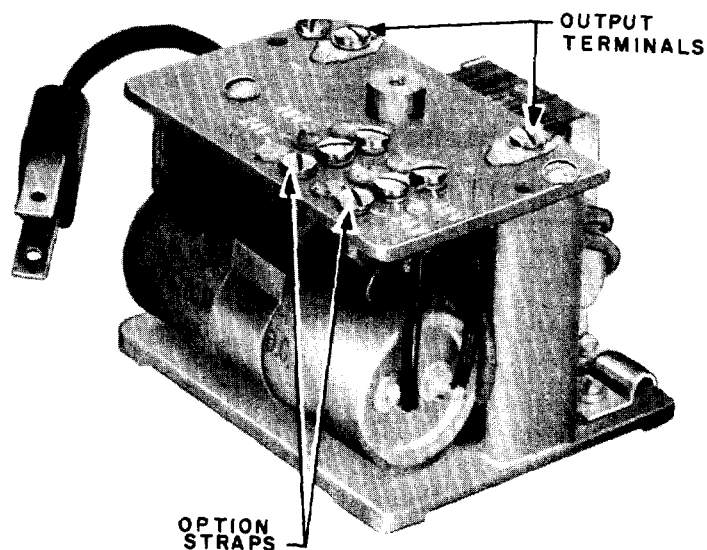


Fig. 1 — KS-16831, List 4 Power Supply

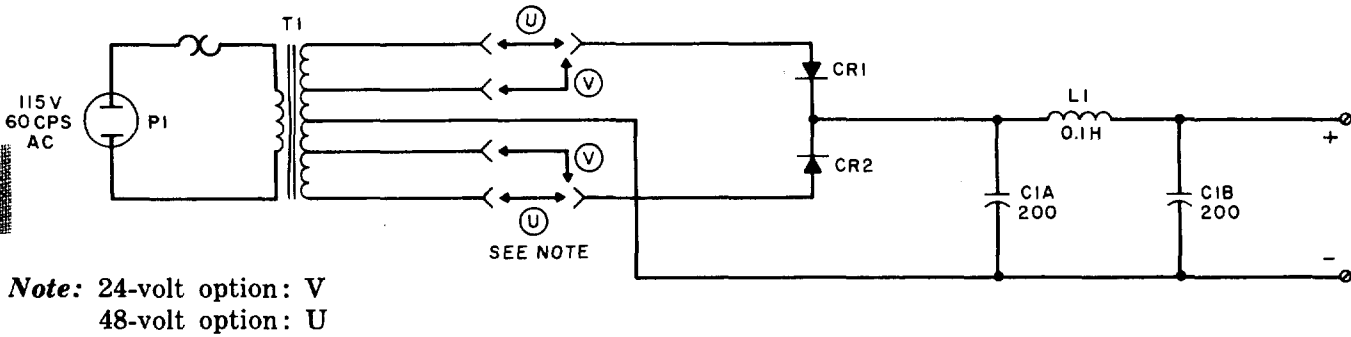


Fig. 2 — Schematic Diagram, KS-16831, List 4 Power Supply

TABLE A  
BLEEDER RESISTOR TABLE

If Current Drain in Equipment is	This Bleeder Resistor is Required			
	48 volts		24 volts	
	ohms	watts	ohms	watts
10	535	5	265	3
20	600	5	300	2
30	685	5	350	2
40	800	5	400	2
50	960	5	500	2
60	1200	2	600	1
70	1600	2	800	1
80	2400	1	1200	1
90	4800	1	2400	1
100	None Required		None Required	

TABLE B  
BLEEDER RESISTOR VALUES  
WITH KS-16831 AMPLIFIERS

No. and Type of Amplifier	Resistor Required	
	ohms	watts
1 — KS-16831, L3 Amplifier	700	5
2 — KS-16831, L3 Amplifiers	1500	5
3 — KS-16831, L3 Amplifiers	None Required	
* 1 — KS-16831, L1 Amplifier	None Required	

\* List 4 power supply required for each list 1 amplifier.