

NONCODED CONNECTORS—KS-19163 THROUGH KS-19198

DESCRIPTION

1. GENERAL

1.01 This section lists and illustrates noncoded connectors within the part or type number range of KS-19163 through KS-19198, used for the maintenance and operation of equipment in central offices.

1.02 The information provided in this section was previously shown in Section 032-300-101, Issue 5. The following connectors were added to this practice.

- KS-19180, L1, L2, and L3
- KS-19181, L1

- KS-19185, L1

- KS-19198, L1

The Equipment Test List is not affected.

2. DESCRIPTION OF CONNECTORS

2.01 *KS-19163-Type:* The KS-19163-type are multicontact, male connectors consisting of blocks of insulating material equipped with flat-blade, gold-plated terminals which project at the rear for solderless-wrapped connections. For more information, see Table A.

NOTICE

Not for use or disclosure outside the
Bell System except under written agreement

TABLE A

KS-19163 LIST NO.	FIG. NO.	NO. OF TERMINALS	MATES WITH PLUG KS-19162 LIST NO.
1	1	50	1,2,14
2	2	50	1,2,19
3	3	50	3,4
4	4	50	3,4
5	4	72	5,8
6	5	72	6
7	5	60	7
8	6	72	6
9	7	26	9
10	7	11	9
11	7	0	9
12	8	5	12
13	8	5	12
14	8	5	12
15	1	72	11,13
16	1	72	11,13
21	9	72	6
22	10	66	18
23	10	72	6
24	1	50	1,2
25	11	50	3,4
26	12	72	6
28	13	6	21
29	13	6	21
30	13	6	21
31	4	72	23,26
32	4	60	24,25,36
33	1	72	11,13
34	4	50	3,4

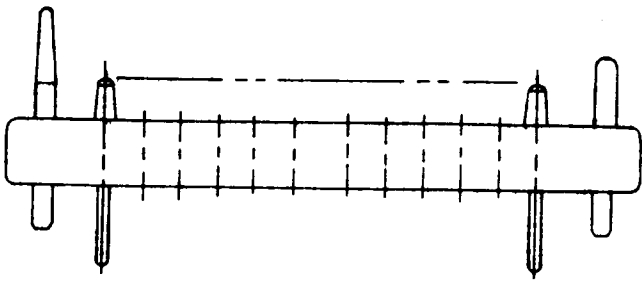


Fig. 1—KS-19163, L1, L15, L16, L24, or L33 Connector

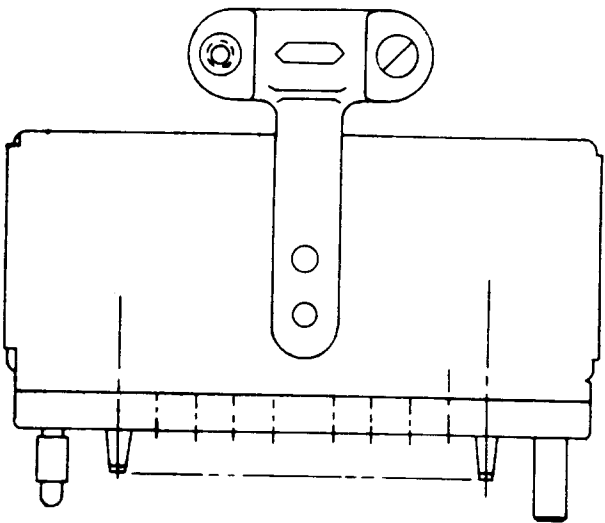


Fig. 3—KS-19163, L3 Connector

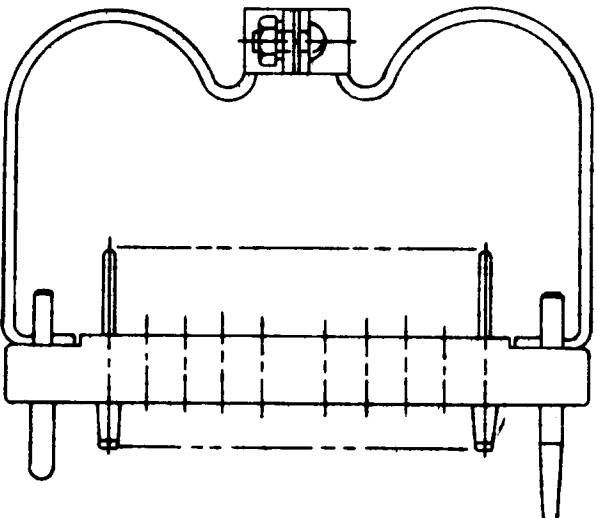


Fig. 2—KS-19163, L2 Connector

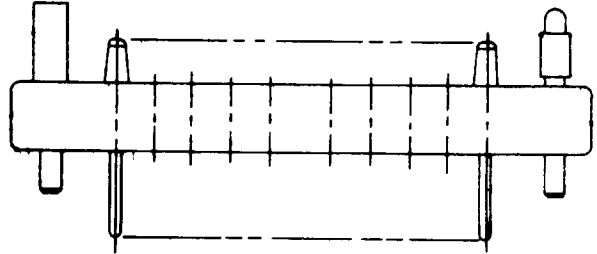


Fig. 4—KS-19163, L4, L5, L31, L32, or L34 Connector

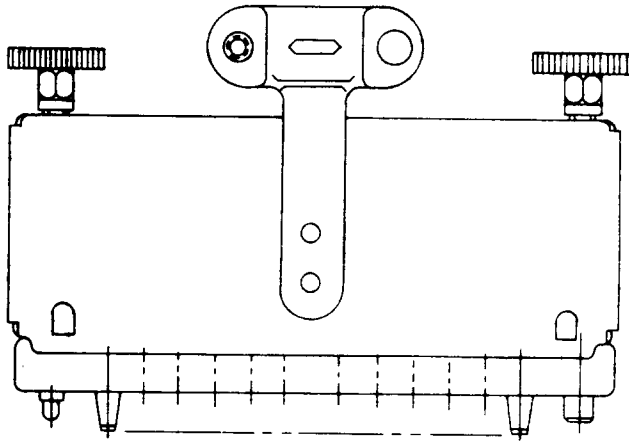


Fig. 5—KS-19163, L6, or L7 Connector

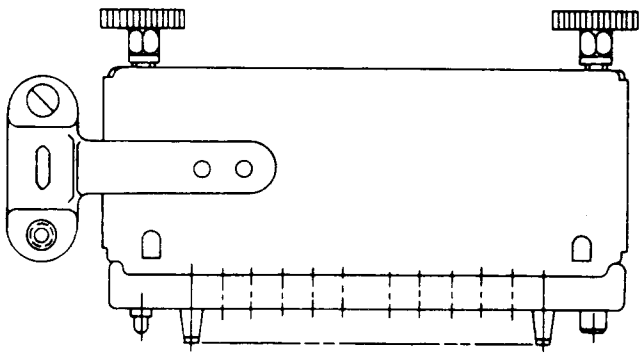


Fig. 6—KS-19163, L8 Connector

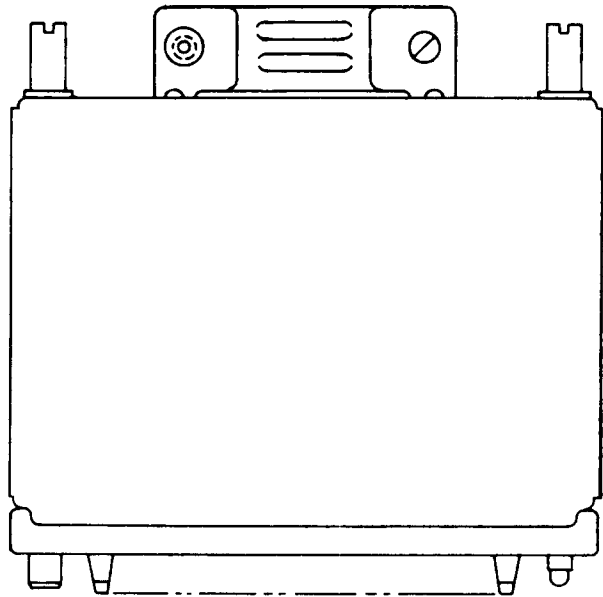


Fig. 9—KS-19163, L21, Connector

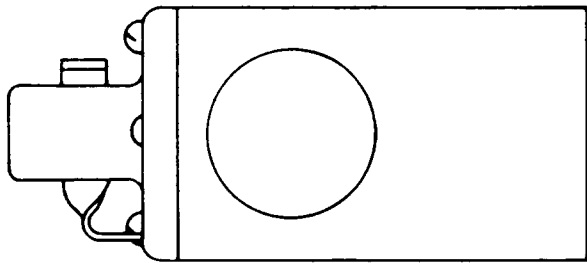


Fig. 7—KS-19163, L9, L10, or L11 Connector

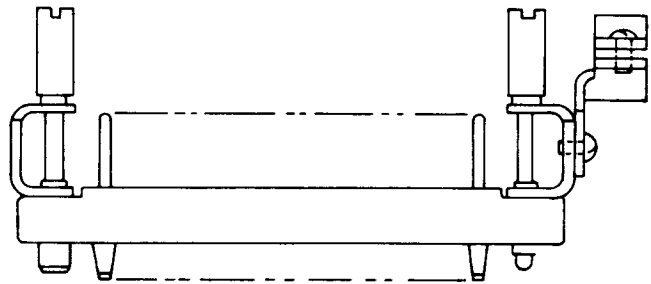


Fig. 10—KS-19163, L22, or L23 Connector

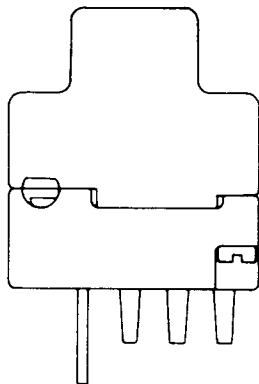


Fig. 8—KS-19163, L12, L13, or L14 Connector

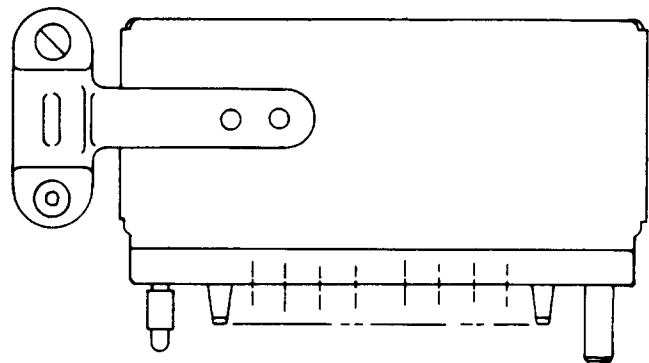


Fig. 11—KS-19163, L25 Connector

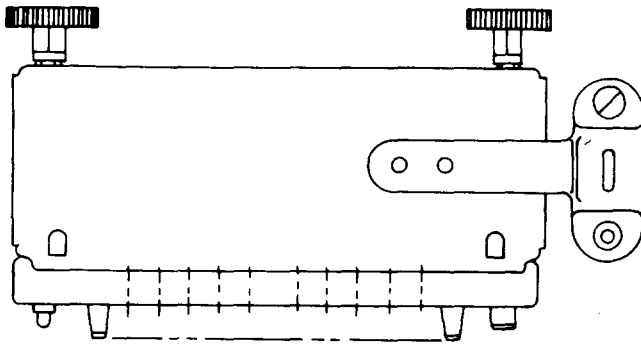


Fig. 12—KS-19163, L26 Connector

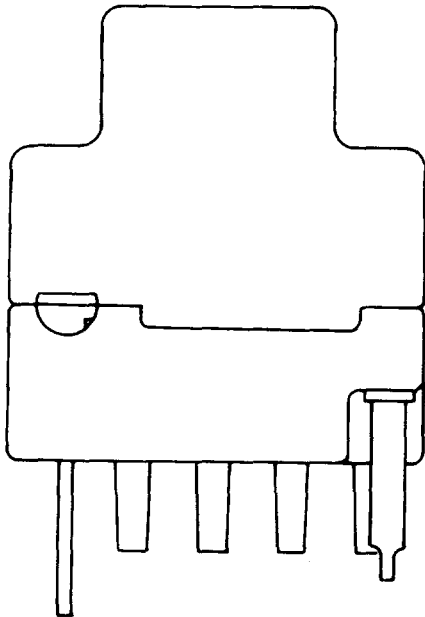


Fig. 13—KS-19163, L28, L29, or L30 Connector

2.02 KS-19180, L1, L2, and L3: The KS-19180, L1, L2, and L3 (Fig. 14) are miniature 50-ohm coaxial snap-on connectors. These connectors will mate with the KS-19183, KS-19184, and KS-19186 plugs. These connectors are used in L-Multiplex Carrier Systems.

- (a) **KS-19180, L1:** This connector is equipped with a standard wiring terminal.

(b) **KS-19180, L2:** This connector is equipped with a turret-type terminal.

(c) **KS-19180, L3:** This connector is equipped with a straight terminal for use in the 546A jack.

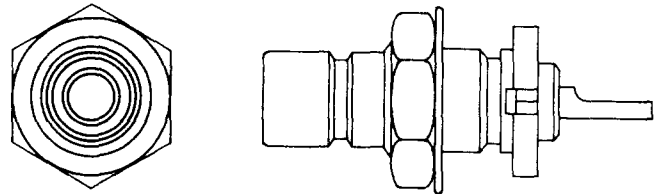


Fig. 14—KS-19180, L1, L2, or L3 Connector

2.03 KS-19181, L1: The KS-19181, L1 (Fig. 15) is a miniature 50-ohm coaxial snap-on printed circuit wiring board connector. This connector will mate with the KS-19183, KS-19184, and KS-19186 plugs. This connector is for use in the L-Multiplex Carrier Systems.

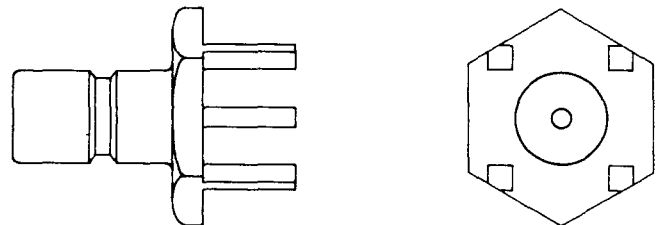


Fig. 15—KS-19181, L1 Connector

2.04 KS-19185, L1: The KS-19185, L1 (Fig. 16) is a miniature 50-ohm coaxial snap-on panel-mounted connector. It is arranged for solderless connection to a KS-19224 cable by means of a sleeve. This connector will mate with the KS-19183, KS-19184, and KS-19186 plugs. This connector is used in L-Multiplex Carrier Systems.

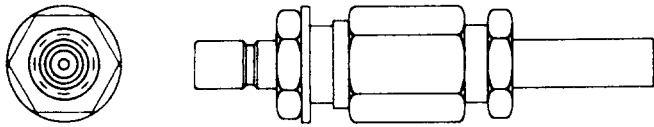


Fig. 16—KS-19185, L1 Connector

2.05 KS-19198, L1: The KS-19198, L1 (Fig. 17) is a polarized, multicontact, female connector consisting of a rectangular block of insulating material, equipped with twelve pretensioned terminals. The contact end of the terminal is bifurcated, and each prong is provided with a contact button of No. 3 contact metal. The wiring end of the terminal is arranged for solderless wrapped connections suitable for two wraps of No. 24 gauge wire. The product is used with the KS-19197 mounting in the 757A and 759A PBX.

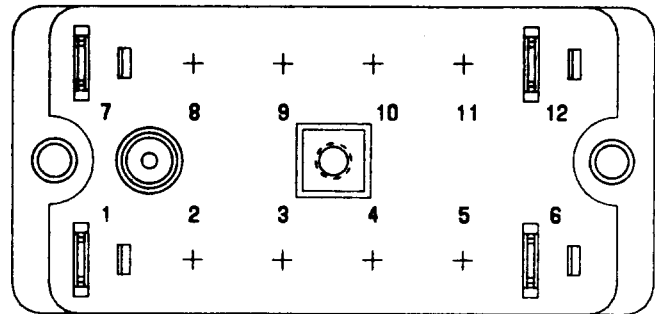
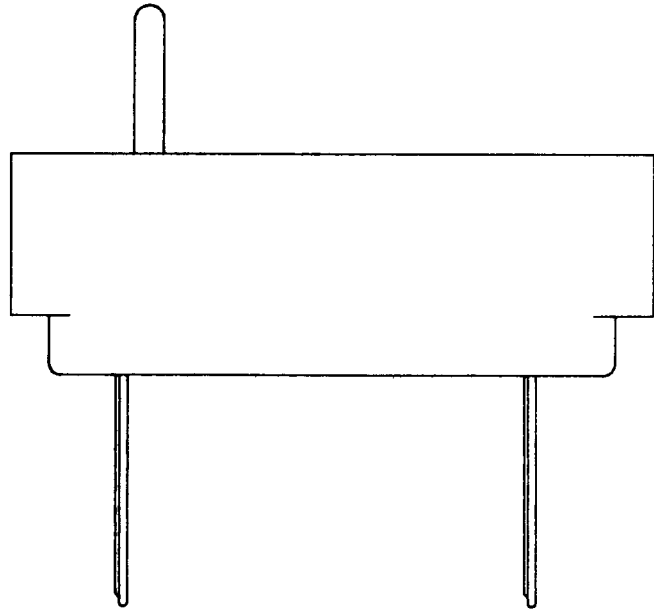


Fig. 17—KS-19198, L1 Connector