

NONCODED CONNECTORS  
KS-19331 THROUGH KS-19770  
DESCRIPTION

LIBRARY  
FILE COPY

1. GENERAL

1.01 This practice describes noncoded connectors within the part or type number range of KS-19331 through KS-19770. These connectors are used for the maintenance and operation of equipment in central offices.

1.02 This practice is reissued to add KS-19401, L3 and L4, connectors. Revision arrows are used to emphasize significant changes.

2. DESCRIPTION OF CONNECTORS

2.01 **KS-19331, L1:** The KS-19331, L1 (Fig. 1) is a polarized, multicontact, female connector consisting of a rectangular block of insulating material equipped with 2 mounting tabs, a threaded engaging hole, 2 guide pin holes, and 18 pretensioned terminals. The contact end of the terminal is bifurcated, and each prong is provided with a contact button of No. 3 contact metal. The wiring end of the terminal is arranged for solderless wrapped connections suitable for two wraps of 24-gauge wire. This connector will mate with the 39A apparatus mounting. The connector is used in the coin line monitor and alarm circuit, and in the automatic training of operators for the 100A traffic service position.

2.02 **KS-19341, L1 Through L8:** The KS-19341, L1 through L8 (Fig. 2) are miniature, polarized, multicontact, male connectors consisting of a rectangular block of insulating material equipped with gold-plated, free floating terminals. They mate with the KS-19342 connectors. For more information, see Table A.

2.03 **KS-19342, L1 Through L10:** The KS-19342, L1 through L10 (Fig. 3) are miniature, polarized, multicontact, female connectors. For more information, see Table B.

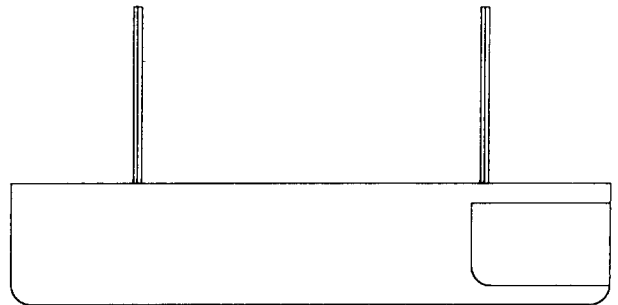
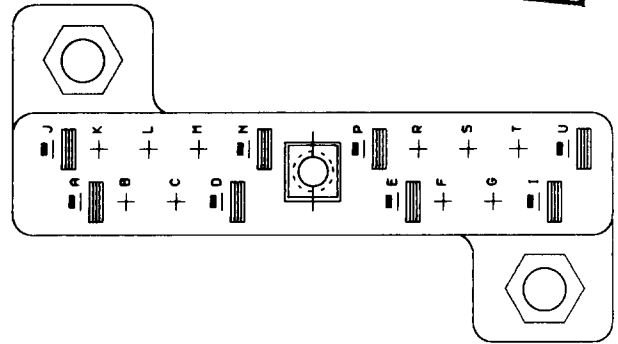
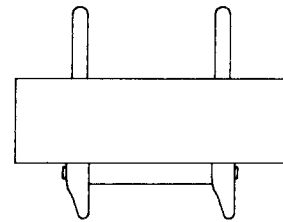


Fig. 1—KS-19331, L1, Connector



KS-19341-L1 THROUGH L8

Fig. 2—KS-19341-Type Connector

TABLE A

KS-19341 LIST NO.	NO. OF TERMINALS	MATES WITH CONNECTOR KS-19342 LIST NO.
1	14	1, 5
2	34	2
3	41	3, 6
4	20	7
5	34	8
6	14	4
7	28	9
8	20	10

TABLE B

KS-19342 LIST NO.	NO. OF TERMINALS	MATES WITH CONNECTOR KS-19341 LIST NO.
1	14	1
2	34	2
3	41	3
4	14	6
5	14	1
6	41	3
7	20	4
8	34	5
9	28	7
10	20	8

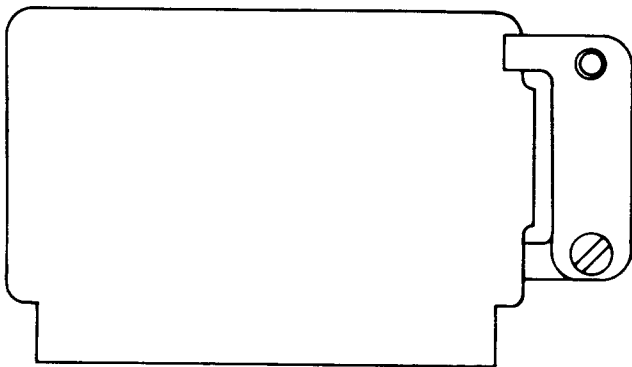


Fig. 3—KS-19342-Type Connector

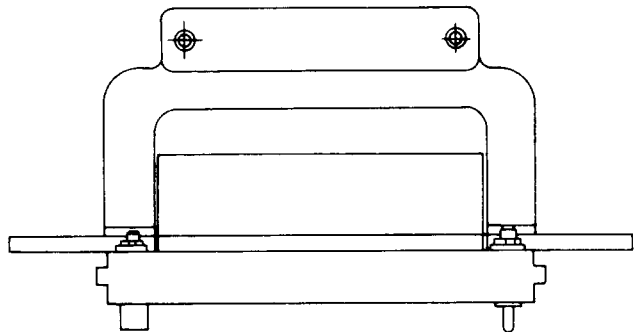


Fig. 4—KS-19401-Type Connector

2.04 ♦**KS-19401, L1 Through L4:** ♦The KS-19401, L1 through L4 (Fig. 4) are polarized, coaxial connectors, each consisting of a molded block of insulating material, equipped with 12 miniature, floating, snap-in contacts in two rows of six ♦and a screw lock mechanism.♦ The connector is arranged for panel mounting and used on the 301B data set.

(a) **KS-19401, L1:** The KS-19401, L1, connector is a polarized, coaxial connector that mates with the KS-19402, L1, plug.

(b) **KS-19401, L2:** The KS-19401, L2, connector is a polarized coaxial connector equipped with a cable clamp.

♦(c) **KS-19401, L3:** The KS-19401, L3, connector is a polarized coaxial connector. The 12 inner contacts, 12 outer contacts, and 12 shields are shipped as a package and are not assembled in with the apparatus.

(d) **KS-19401, L4:** The KS-19401, L4, connector is a polarized coaxial connector and consists of one inner contact, one plastic shield, one outer contact, and one shield connector packaged unassembled as a set.♦

2.05 **KS-19437, L1:** The KS-19437, L1 (Fig. 5) is a polarized, female connector, consisting of a rectangular block of insulating material, equipped with 12 contacts arranged in two rows of six. The wiring end of the contact is arranged for wire-wrapped

connections, suitable for two-wraps of 24-gauge wire. This connector will mate with a No. 3A base. The KS-19437, L1, connector is used in 2-inch mounting plates in No. 5 Crossbar Systems.

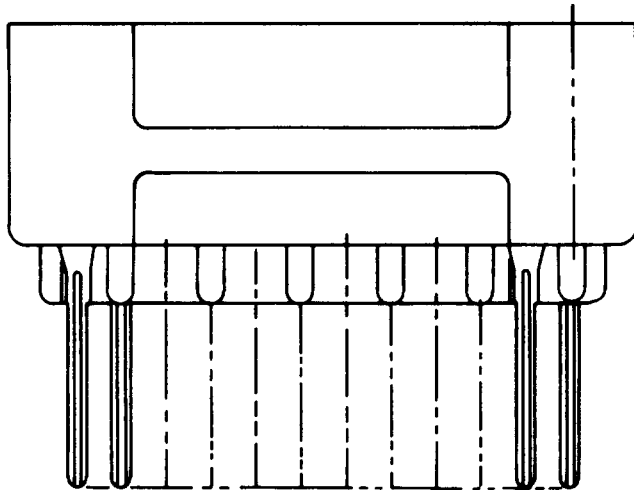
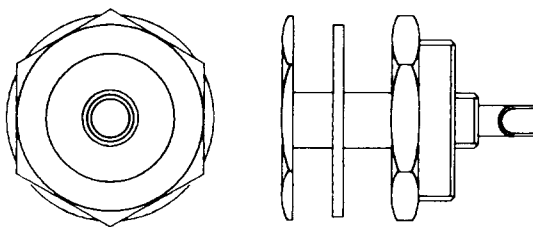


Fig. 5—KS-19437, L1, Connector

**2.06 KS-19692, L1 and L2:** The KS-19692, L1 and L2 (Fig. 6) are miniature, 50-ohm, coaxial, snap-on, flush-mounted connectors, furnished with a lockwasher and hex nut for mounting. The front end of the connectors is arranged for solder connection and for mating with a coaxial connector on the 61A detector. The connector is used in the TD-3 Radio System.

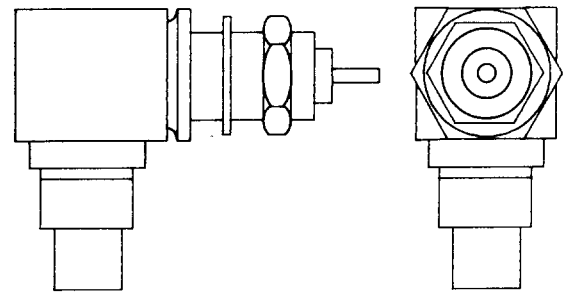


KS-19692, L1 AND L2

Fig. 6—KS-19692, L1 or L2, Connector

**2.07 KS-19758, L1:** The KS-19758, L1 (Fig. 7) is a miniature, 50-ohm, coaxial, screw-on, right-angle, panel-mounted connector. This connector will

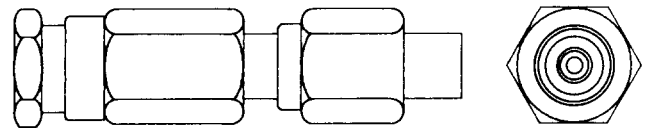
mate with the KS-19759, L1, connector. The connector is used in the TD-3 Radio System.



KS-19758, L1

Fig. 7—KS-19758, L1, Connector

**2.08 KS-19759, L1:** The KS-19759, L1 (Fig. 8) is a miniature, 50-ohm, coaxial, screw-on connector. This connector is arranged for connection to a semirigid coaxial cable. This connector will mate with the KS-19758, L1, connector. The connector is used in the TD-3 Radio System.



KS-19759, L1

Fig. 8—KS-19759, L1, Connector

**2.09 KS-19770 Types:** The KS-19770 types are subminiature, multicontact male connectors, consisting of a block of insulating material, equipped with gold-plated, pin-type fixed contacts and arranged to accommodate removable KS-19820 contacts. The block is assembled in a polarized metal shell which is provided with two holes in the flange for panel mounting. Cable termination is provided when the steel is associated with a hood. The wiring end of the fixed contact is arranged for solder connection. For more information, see Table C.

TABLE C

KS-19770 LIST NO.	FIG. NO.	FIXED CONTACTS	REMOVABLE CONTACT POSITIONS	MATES WITH CONNECTOR KS-19771 LIST NO.
1	9	5	4	1
2	10	10	3	2
3	9	15	2	3
4	11	12	5	4
5	11	22	3	5
6	11	17	7	6
7	12	5	2	7
8	13	17	7	8
9	14	15	2	9
10	15	0	8	10
11	15	22	3	11
12	9	12	5	12
13	16	4	1	13
14	12	22	3	14
15	15	10	3	15
16	15	7	6	16
17	15	12	5	17
18	15	17	7	18
19	10	12	5	19
20	17	5	4	20
21	10	15	2	22
22	17	15	2	22
23	10	4	1	23
24	10	3	2	24
25	10	0	3	26
26	10	17	7	28
27	15	15	2	31
28	10	5	4	32
29	10	10	1	33
30	10	25	2	34
31	15	17	7	35
32	11	41	2	36
33	15	17	4	37
34	10	4	1	39

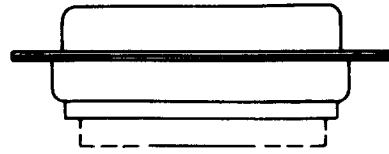


Fig. 10—KS-19770, L2, L19, L21, L23, L24, L25, L26, L28, L29, L30, or L34, Connector

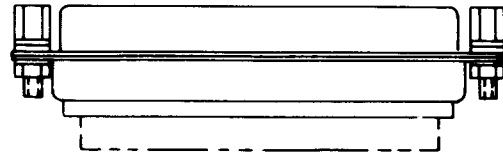


Fig. 11—KS-19770, L4, L5, L6, or L32, Connector

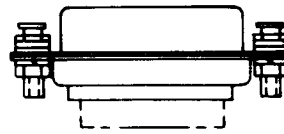


Fig. 12—KS-19770, L7 or L14, Connector

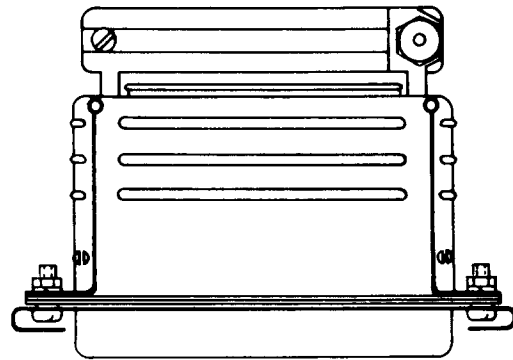


Fig. 13—KS-19770, L8, Connector

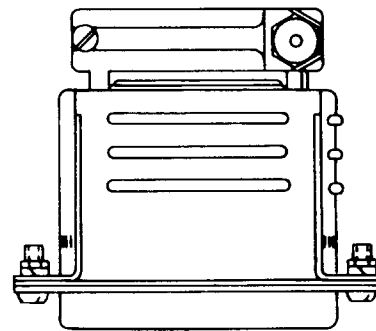


Fig. 14—KS-19770, L9, Connector

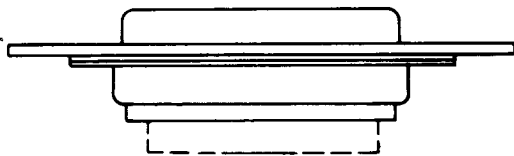


Fig. 9—KS-19770, L1, L3, or L12, Connector

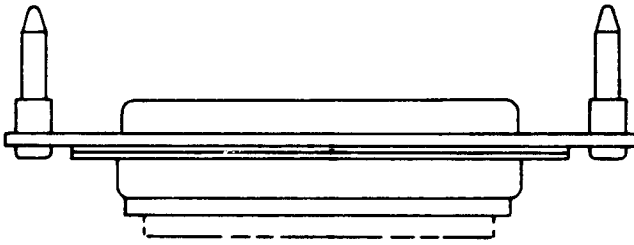


Fig. 15—KS-19770, L10, L11, L15, L16, L17, L18, L27, L31, or L33, Connector

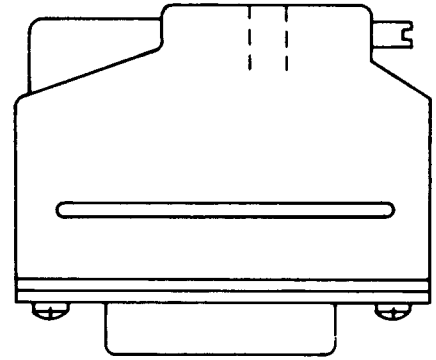


Fig. 17—KS-19770, L20 or L22, Connector

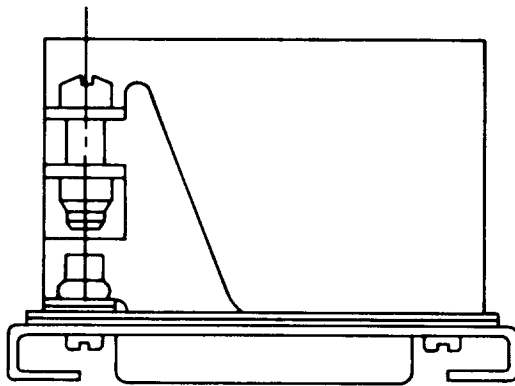


Fig. 16—KS-19770, L13, Connector