

NONCODED CONNECTORS—KS-19771 THROUGH KS-20144

DESCRIPTION

1. GENERAL

1.01 This section lists and illustrates noncoded connectors within the part or type number range of KS-19771 through KS-20144, used for the maintenance and operation of equipment in central offices.

1.02 The information provided in this section was previously shown in Section 032-300-101, Issue 5. The KS-19893, L1; KS-19894, L1; KS-19900, L1, L2, and L3; and KS-19929, L1 were added to this section.

2. DESCRIPTION OF CONNECTORS

2.01 *KS-19771-Type:* The KS-19771-type are subminiature, multicontact, female connectors that are equipped with gold-plated, socket-type, fixed contacts and arranged to accommodate removable KS-19820 contacts. The block is assembled in a polarized, metal shell which is provided with two holes in the flange for panel mounting. Cable termination is provided when the shell is associated with a hood. The wiring end of the fixed contact is arranged for solder connection. For more information, see Table A.

NOTICE

Not for use or disclosure outside the
Bell System except under written agreement

TABLE A

KS-19771 LIST NO.	FIG NO.	FIXED CONTACTS	REMOVABLE CONTACT POSITIONS	MATES WITH KS-19770 LIST NO.
1	1	5	4	1
2	2	10	3	2
3	1	15	2	3
4	3	12	5	4
5	3	22	3	5
6	3	17	7	6
7	4	5	2	7
8	6	17	7	8
9	5	15	2	9
10	2	0	8	10
11	2	22	3	11
12	1	12	5	12
13	6	4	1	13
14	4	22	3	14
15	2	10	3	15
16	2	7	6	16
17	2	12	5	17
18	2	17	7	18
19	2	12	5	19
20	2	5	4	20
21	7	5	4	20
22	7	15	2	22
23	7	4	1	23
24	2	5	2	24
25	1	10	3	15
26	8	0	3	25
27	8	5	2	24
28	8	17	7	26
29	8	10	3	2
30	8	15	2	22
31	2	15	2	27
32	2	5	4	28
33	2	10	1	29
34	2	25	2	30
35	2	17	7	31
36	3	41	2	32
37	2	17	4	33
38	2	17	7	26
39	3	4	1	34

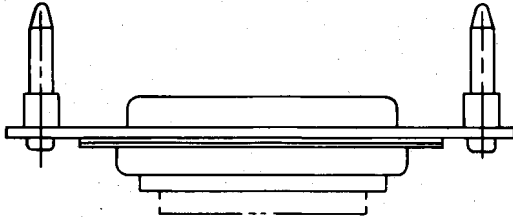


Fig. 1—KS-19771, L1, L3, L12, or L25 Connector

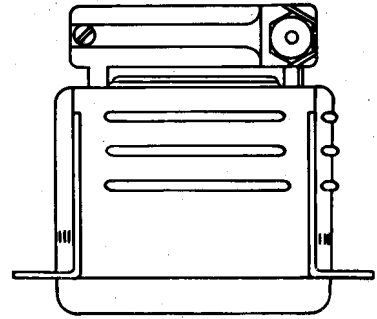


Fig. 5—KS-19771, L9 Connector

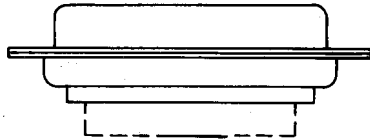


Fig. 2—KS-19771, L2, L10, L11, L15, L16, L17, L18, L19, L20, L24, L31, L32, L33, L34, L35, L37, or L38 Connector



Fig. 6—KS-19771, L8 or L13 Connector

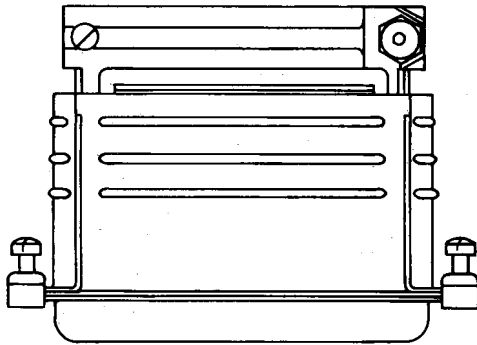


Fig. 3—KS-19771, L4, L5, L6, L36, or L39 Connector

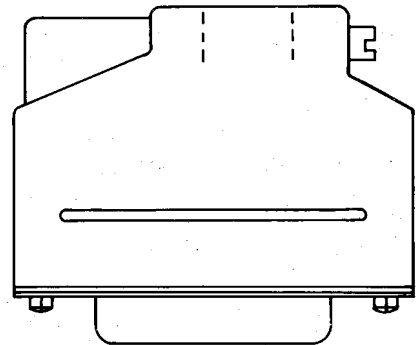


Fig. 7—KS-19771, L21, L22, or L23 Connector

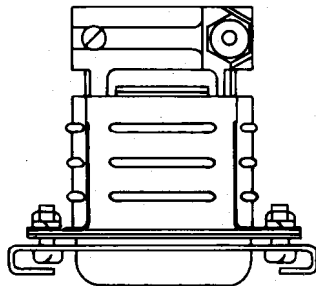


Fig. 4—KS-19771, L7 or L14 Connector

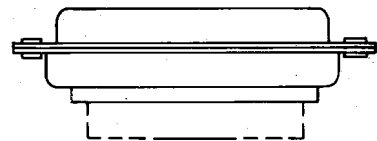


Fig. 8—KS-19771, L26, L27, L28, L29, or L30 Connector

2.02 KS-19893, L1: The KS-19893, L1 (Fig. 9) is a miniature, 50-ohm, coaxial, screw-on, panel-mounted connector that is furnished with a lockwasher and hex nut for mounting. The KS-19893, L1, connector will mate with the KS-19759, L1 connector and is used in TD-3 radios.

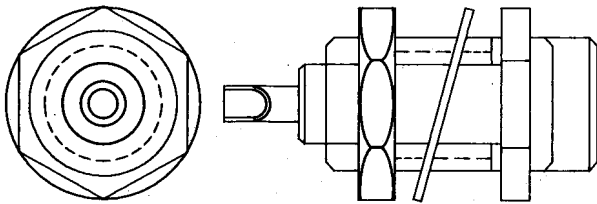


Fig. 9—KS-19893, L1 Connector

2.03 KS-19894, L1: The KS-19894, L1, connector (Fig. 10) is a miniature, 50-ohm, coaxial, slide-on, panel-mounted connector that is furnished with a lockwasher and hex nut for mounting. The KS-19894, L1 is used in TD-3 radios.

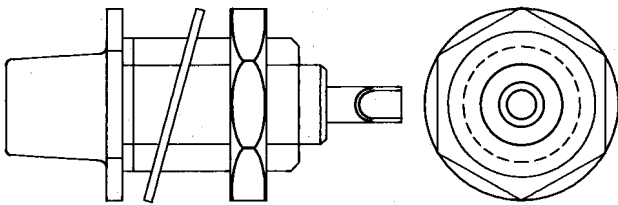


Fig. 10—KS-19894, L1 Connector

2.04 KS-19900, L1, L2, and L3: The KS-19900, L1, L2 (Fig. 11), and L3 (Fig. 12), are miniature, 75-ohm, coaxial, snap-on, panel-mounted connectors that are furnished with lockwashers and hex nuts for mounting. The KS-19900-type connectors will mate with the KS-19903, KS-19904, and KS-19905 plugs. The KS-19900-type are used in SF submarine cable.

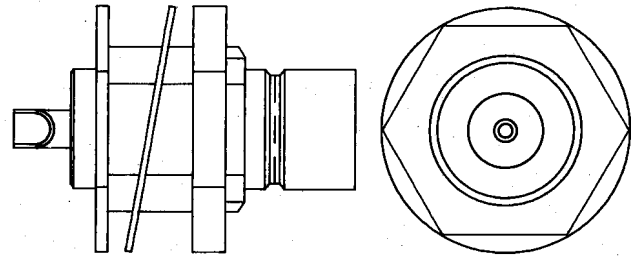


Fig. 11—KS-19900, L1 or L2 Connector

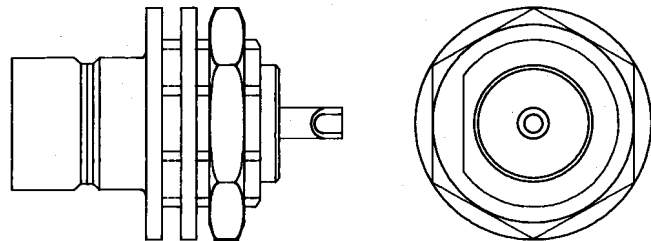


Fig. 12—KS-19900, L3 Connector

2.05 KS-19929, L1: The KS-19929, L1 (Fig. 13) is a miniature, 75-ohm, coaxial, snap-on, hermetically sealed, panel-mounted connector that is furnished with a lockwasher and hex nut for mounting. The KS-19929, L1 connector will mate with the KS-19903, KS-19904, and KS-19905 plugs. The KS-19929, L1 connector is used in SG submarine cable terminals.

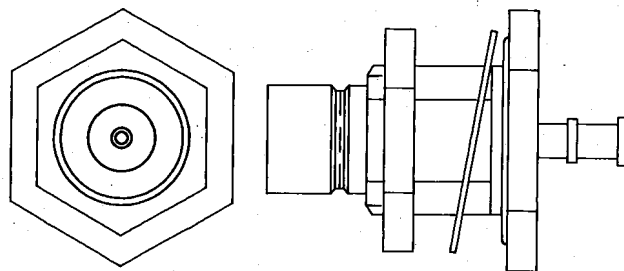


Fig. 13—KS-19929, L1 Connector

2.06 KS-20143, L1 Through L14: The KS-20143-type (Fig. 14) are polarized, multicontact, panel-mounted, male connectors that are equipped with gold-plated, pin contacts. The wiring end of the contact is arranged for solder connection. These connectors will mate with the KS-20144, L1 through L14, connectors, respectively. For more information, see Table B.

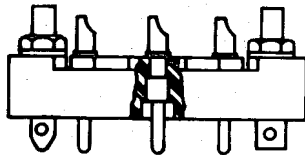


Fig. 14—KS-20143, L1 Through L14 Connector

TABLE B

KS-20143 LIST NO.	CONTACT POSITIONS	CONTACT ARRANGEMENT
1	7	2 Rows
2	10	3 Rows
3	15	2 Rows
4	18	4 Rows
5	6	3 Rows
6*	18	4 Rows
7*	14	4 Rows
8	7	2 Rows
9	10	3 Rows
10	15	2 Rows
11	18	4 Rows
12	6	3 Rows
13	7	2 Rows
14	9	2 Rows

* Fitted with mounting plate.

2.07 KS-20144, L1 Through L14: The KS-20144-type (Fig. 15) are polarized, multicontact, panel-mounted, female connectors that are equipped with gold-plated, socket contacts. The wiring end of the contact is arranged for solder connection. The L14 is equipped with a hood assembly.

The KS-20144, L1 through L14, connectors will mate with the KS-20143, L1 through L14, connectors, respectively. For more information, see Table C.

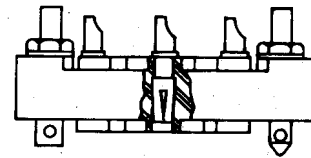


Fig. 15—KS-20144, L1 Through L14 Connector

TABLE C

KS-20144 LIST NO.	CONTACT POSITIONS	CONTACT ARRANGEMENT
1	7	2 Rows
2	10	3 Rows
3	15	2 Rows
4	18	4 Rows
5	6	3 Rows
6*	18	4 Rows
7*	14	4 Rows
8	7	2 Rows
9	10	3 Rows
10	15	2 Rows
11	18	4 Rows
12	6	3 Rows
13	7	2 Rows
14	9	2 Rows

* Fitted with mounting plate.