

NONCODED PLUGS P-337449 THROUGH P-44B492 AND KS-8585 THROUGH KS-14958

DESCRIPTION

1. GENERAL

1.01 This practice lists and illustrates noncoded plugs within the part or type number range of P-337449 through P-44B492 and KS-8585 through KS-14958. These plugs are used for the maintenance and operation of equipment in central offices.

1.02 Revision arrows are used to emphasize significant changes. The reason for reissue is to add the KS-14183 coaxial plug.

2. DESCRIPTION OF NONCODED PLUGS

2.01 **P-337449:** The P-337449 (Fig. 1) is a phone-tip plug. This plug is black and is used with the W2DH cord.

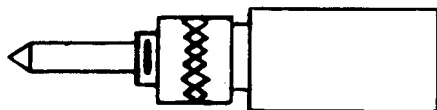


Fig. 1—P-337449 Plug

2.02 **P-338274:** The P-338274 (Fig. 2) is a banana plug. This plug is black and is used with the P11A cord.

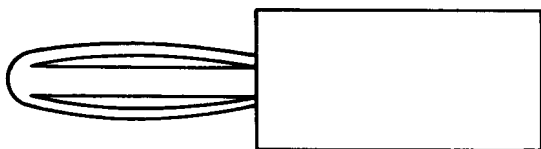


Fig. 2—P-338274 Plug

2.03 **P-44B490:** The P-44B490 plug (Fig. 3) is used with the P2CJ and P3AP cords. This plug has a black shell.

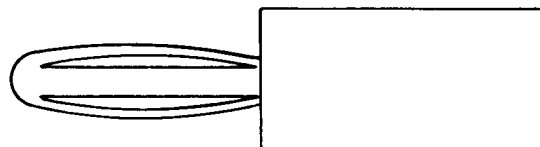


Fig. 3—P-44B490, P-44B491, or P-44B492 Plug

2.04 **P-44B491:** The P-44B491 plug (Fig. 3) is used with the P2CJ and P3AP cords. This plug has a red shell.

2.05 **P-44B492:** The P-44B492 plug (Fig. 3) is used with the P3AP cord. This plug has a yellow shell.

2.06 **KS-8585-Type:** The KS-8585-type plugs have several contacts which are listed in Table A.

2.07 **KS-13737:** The KS-13737 (Fig. 24) is a coaxial plug used in Television Radio Systems.

2.08 **KS-13875-Type:** The KS-13875-type plugs consist of a molded rectangular block equipped with 20 gold-plated, phosphor-bronze terminals. These plugs (Fig. 25) mate with the KS-13876 or similar-type connectors.

(a) **KS-13875, L1:** This plug is used in the KS-13834 perforator in the No. 5 Crossbar System.

(b) **KS-13875, L2:** This plug is used in the 756A Private Branch Exchange (PBX) System.

(c) **KS-13875, L3, L4, and L5:** These plugs are used in the TH radio transmitter-receiver test sets.

TABLE A			
KS-8585 LIST NO.	NO. OF CONTACTS	FIG NO.	MATES WITH SOCKET KS-8586 LIST NO.
1	24	4	1
2	24	5	1
3	5	6	2,3
4	5	7	2,3
5	24	—	1
6	6	8	4,28
7	24	4	1
8	4	9	5,6
9	4	10	5,6,22
10	8	10	7,10
11	18	5	8,49
12	2	11	9
13	8	9	7,10,53
14	4	8	6
15	2	12	9,11,18
16	6	13	4,12,26,50,54
17	6	10	4,12,54
18	10	9	13,17,31,39
19	10	10	13,17
20	6	14	4
21	15	15	14,15,29,30
22	15	9	14,15,29,30
23	33	5	16
24	4	16	6
25	15	7	19,24,47
26	33	17	21,35
27	14	7	23,25
29	15	18	27
30	21	17	20,32

TABLE A (Contd)			
KS-8585 LIST NO.	NO. OF CONTACTS	FIG NO.	MATES WITH SOCKET KS-8586 LIST NO.
31	24	17	33
32	27	17	34
33	12	9	36
34	18	17	37
35	18	18	38,41
36	18	7	37
37	10	10	17
38	12	10	40
39	18	19	42
40	12	10	40
41	18	20	42,43
42	9	21	44,45
43	33	7	46,48
44	8	22	7
45	6	10	12,54
46	12	22	36
47	21	4	51
48	4	10	52
49	8	8	7
50	6	22	4,28
51	4	23	5,6,22
52	8	10	10
53	21	15	55
54	6	—	59

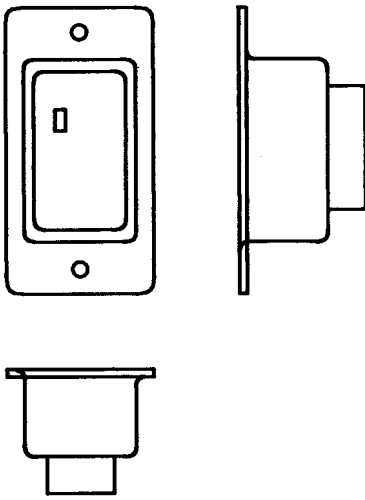


Fig. 4—KS-8585, L1, L7, or L47, Plug

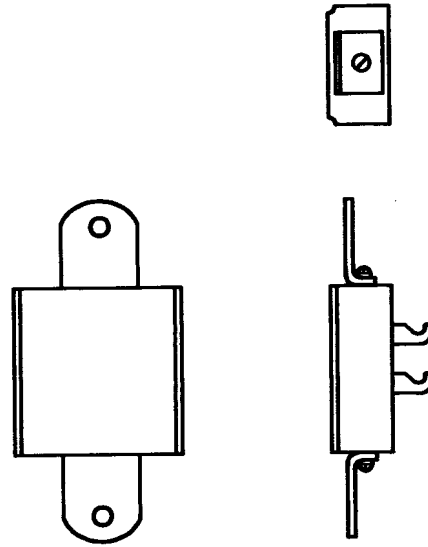


Fig. 6—KS-8585, L3, Plug

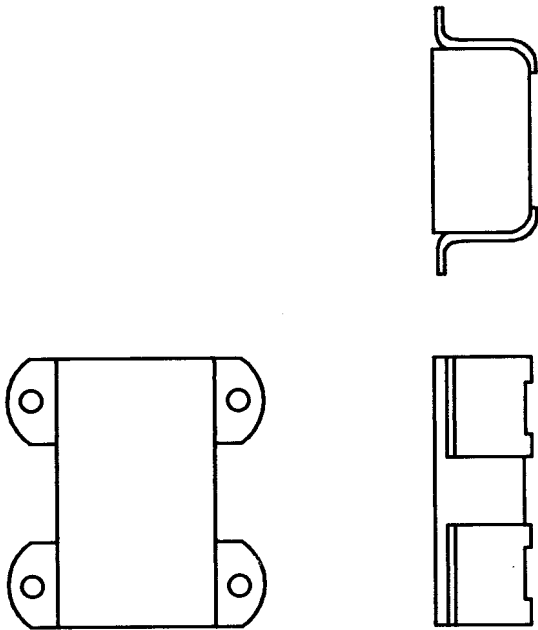


Fig. 5—KS-8585, L2, L11, or L23, Plug

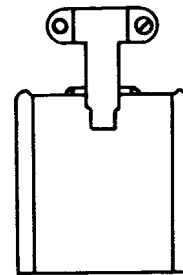


Fig. 7—KS-8585, L4, L25, L27, L36, or L43, Plug

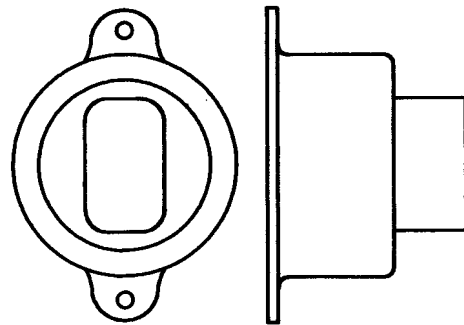


Fig. 8—KS-8585, L6, L14, or L49, Plug

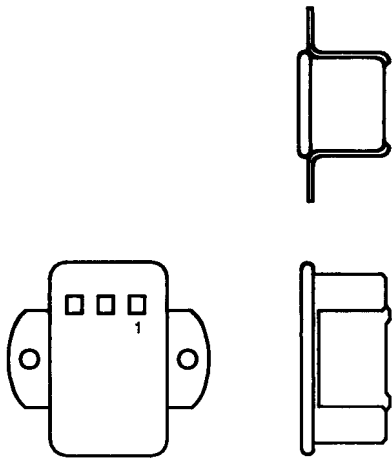


Fig. 9—KS-8585, L8, L13, L18, L22, or L33, Plug

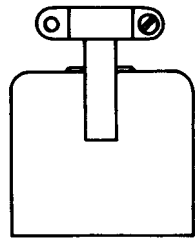


Fig. 10—KS-8585, L9, L10, L17, L19, L37, L38, L40, L45, L48, or L52, Plug

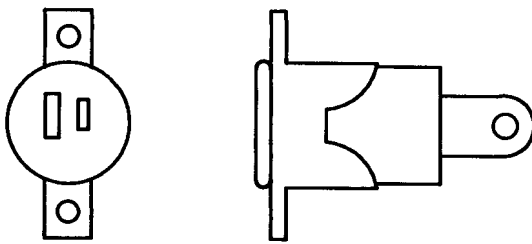


Fig. 11—KS-8585, L12, Plug

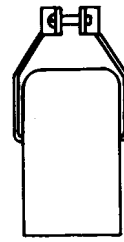


Fig. 12—KS-8585, L15, Plug

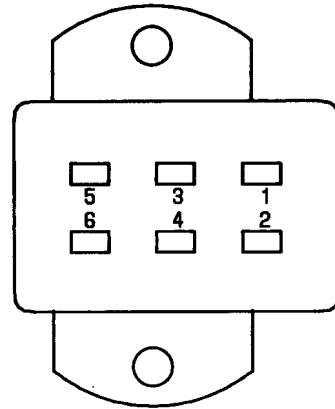


Fig. 13—KS-8585, L16, Plug

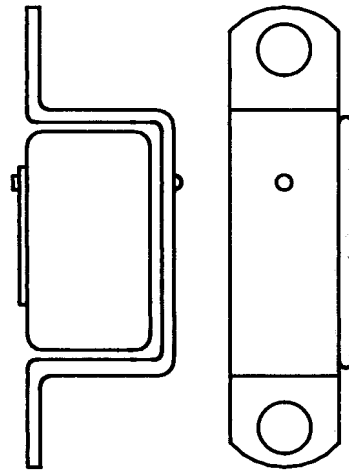


Fig. 14—KS-8585, L20, Plug

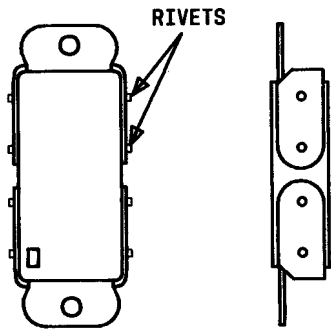


Fig. 15—KS-8585, L21 or L53, Plug

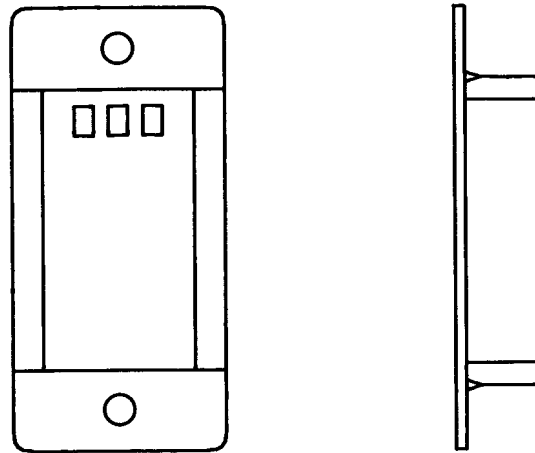


Fig. 18—KS-8585, L29 or L35, Plug

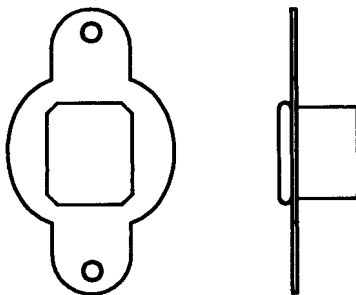


Fig. 16—KS-8585, L24, Plug

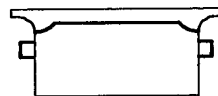


Fig. 19—KS-8585, L39, Plug

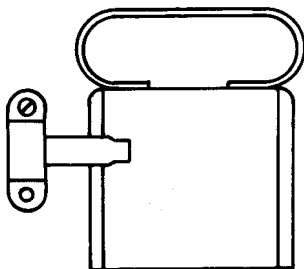


Fig. 17—KS-8585, L26, L30, L31, L32 or L34, Plug

2.09 KS-13895-Type: The KS-13895-type plugs (Fig. 26) consist of a molded rectangular block equipped with 20 gold-plated, brass terminals assembled in an aluminum cover which is provided with a cable clamp. These plugs are used with the KS-14173- and similar-type jacks.

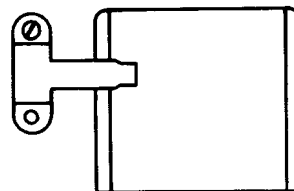


Fig. 20—KS-8585, L41, Plug

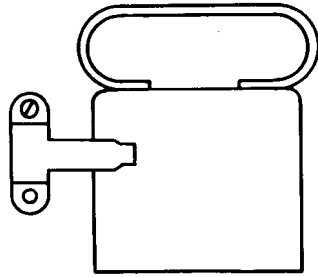


Fig. 21—KS-8585, L42, Plug

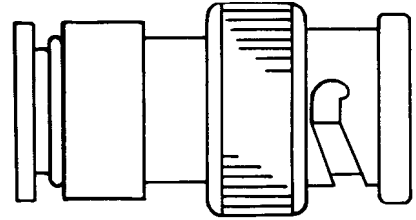


Fig. 24—KS-13737 Plug

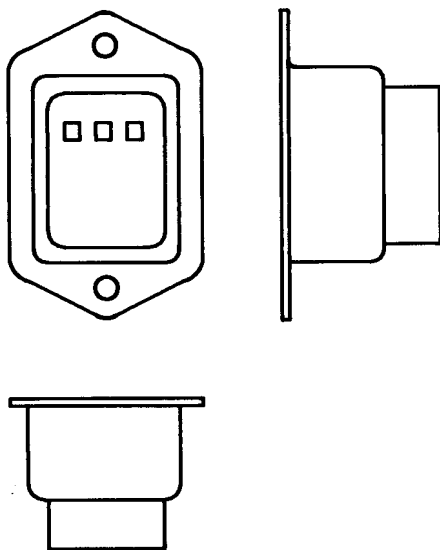


Fig. 22—KS-8585, L44, L46 or L50, Plug

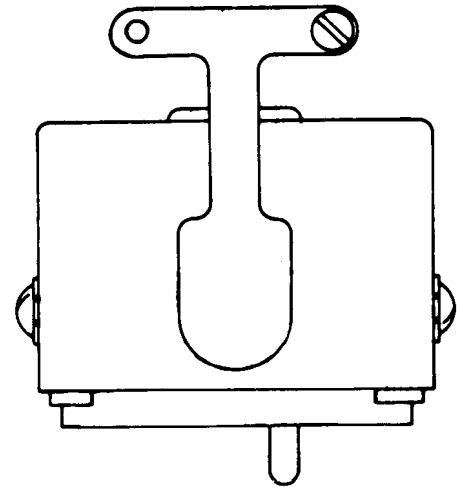


Fig. 25—KS-13875-Type Plug

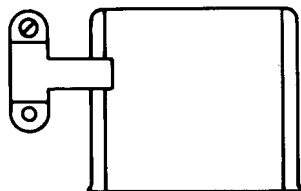


Fig. 23—KS-8585, L51, Plug

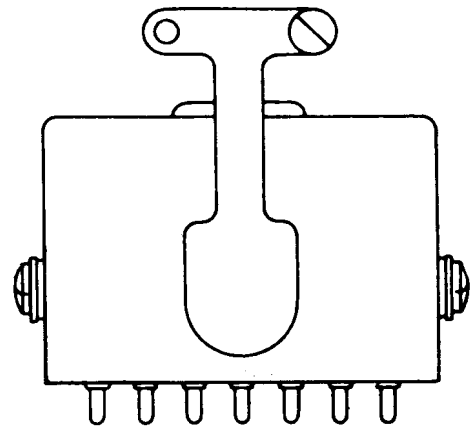


Fig. 26—KS-13895-Type Plug

- (a) **KS-13895, L1:** This plug is used with the P20A cord in the No. 5 Crossbar System.
- (b) **KS-13895, L2 and L3:** These plugs are provided with an insulating liner in the cover used in TH radio transmitter-receiver test sets.
- (c) **KS-13895, L4:** This plug is used in the J94007A carrier frequency noise measuring set.

2.10 KS-13915-Type: The KS-13915-type plugs (Fig. 27) consist of a molded phenolic body equipped with 11 solder-coated and lined bronze pins. The body has an integral, molded pilot the same as used on octal vacuum tube bases and a groove which engages a spring steel retainer ring (furnished with plug) for mounting plug.

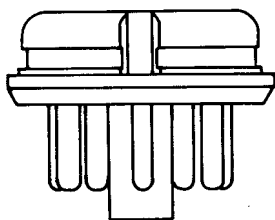


Fig. 27—KS-13915-Type Plug

- (a) **KS-13915, L1:** This plug is used in the 360A plug for mating with 11 contact sockets on the 218A, 219A, and 220A mounting plates for the J68647A voice frequency amplifiers. The L1 plug is designed to mount on a plate or chassis 0.025 to 0.040 inch thick.
- (b) **KS-13915, L2:** This plug is for general use and designed to mount on a plate or chassis 0.041 to 0.062 inch thick.
- (c) **KS-13915, L3:** This plug is used with a KS-14316 socket in the 143A2 regenerative repeater in accordance with J70092B. The plug is also used with a KS-13930 socket. The L3 plug is designed to mount on a plate or chassis 0.080 to 0.102 inch thick.
- (d) **KS-13915, L4:** This plug is for general use and is designed to mount on a plate or chassis 0.063 to 0.078 inch thick.

2.11 KS-14098-Type: The KS-14098-type (Fig. 28) are polarized multicontact plugs containing two rows of solder-type pin terminals. Each consists of a molded housing of insulating material equipped with silver plated, brass, male terminals. Lists 1 through 5 have two polarizing pins between the terminal rows while List 6 has only one off-center polarizing pin. For more information, see Table B.

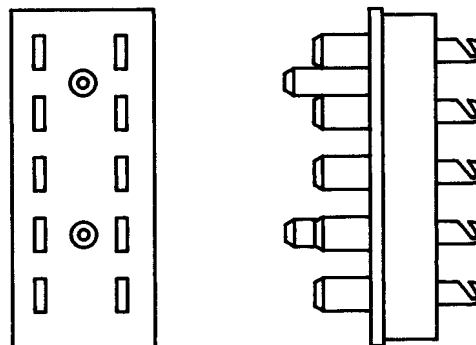


Fig. 28—KS-14098-Type Plug

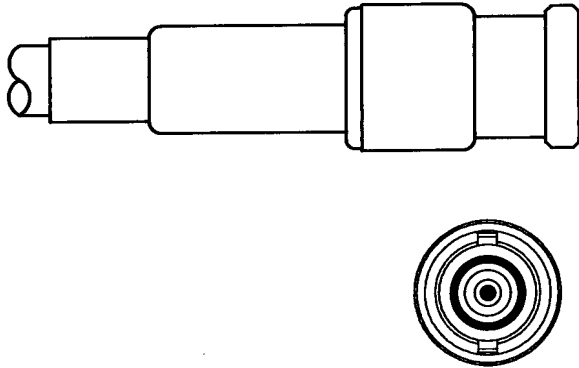
TABLE B		
KS-14098 LIST NO.	NO. OF TERMINALS	MATES WITH SOCKET KS-14099 LIST NO.
1	12	1
2*	12	2
3	10	3,6
4*	10	4
5	10	5
6	6	7

* List numbers 2 and 4 are supplied with a hood and end exit cable clamp.

2.12 KS-14183-Type: The KS-14183-type (Fig. 29) are crimp-type coaxial plugs. The KS-14183 plugs will mate with the KS-14184 receptables. Each plug is intended for use in the J68330G microwave generator of the TD-2 Radio Relay System.

2.13 KS-14207: The KS-14207 (Fig. 30) is a small, coaxial plug designed for connecting

the oscilloscope in the terminal test set for the TD-2 Radio Relay System.



◆Fig. 29—KS-14183-Type Plug◆

15712, L22, shield connector which is required to assemble this plug to a cable. This plug is designed for use with KS-14318 or KS-14319 jacks in connection of 724 and 728 cables.

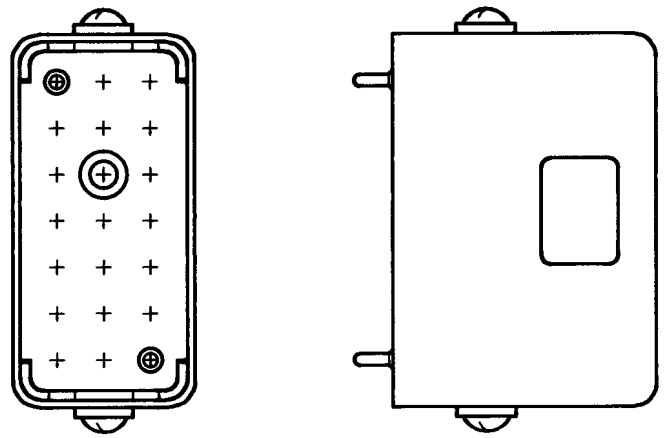


Fig. 31—KS-14288, L1 or L2, Plug

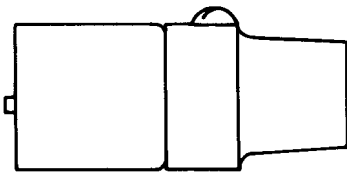


Fig. 30—KS-14207 Plug

2.14 KS-14288, L1 and L2: The KS-14288, L1 and L2, plugs (Fig. 31) consist of a molded rectangular block of insulating material with 20 gold-plated brass terminals which are assembled in an aluminum cover. The L2 has a lug riveted in one of the brackets for grounding. The L1 and L2 are used in terminal and repeater locations to make connections between equipment and cable pairs in the N1 Carrier Telephone System.

2.15 KS-14317, L3: The KS-14317, L3 (Fig. 32) is a coaxial plug which is designed for use in supplying power to the repeaters in the L3 Carrier Systems. This plug is used in conjunction with a KS-

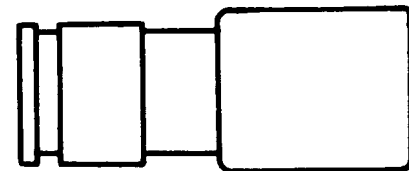


Fig. 32—KS-14317, L3, Plug

2.16 KS-14323: The KS-14323 (Fig. 33) is a twin, coaxial plug and is designed for use with a KS-14324 jack on the ED-42805-01 primary patching panel used in the J44100, A2 video amplifier equipment.

2.17 KS-14460, L1, L2, and L3: The KS-14460, L1, L2, and L3, plugs (Fig. 34) consist of a molded rectangular block equipped with 20 gold-plated, phosphor-bronze terminals assembled in an aluminum cover with a cable clamp. These plugs are used with KS-14160- and similar-type connectors.

(a) **KS-14460, L1:** The KS-14460, L1, plug has the cable clamp located and assembled on top of the cover. The KS-14460, L1, plug is used as a

part of the P20B cord which is with the J94002S, maintenance center test set for testing the N Carrier System.

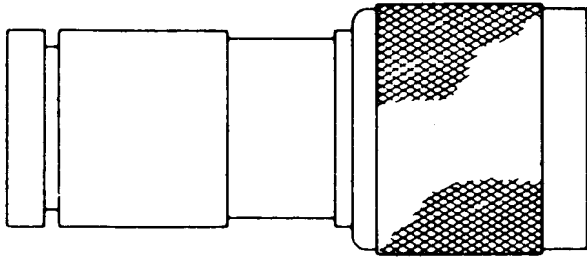


Fig. 33—KS-14323 Plug

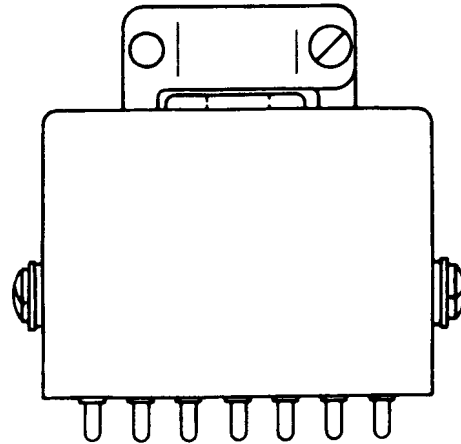


Fig. 35—KS-14461-Type Plug

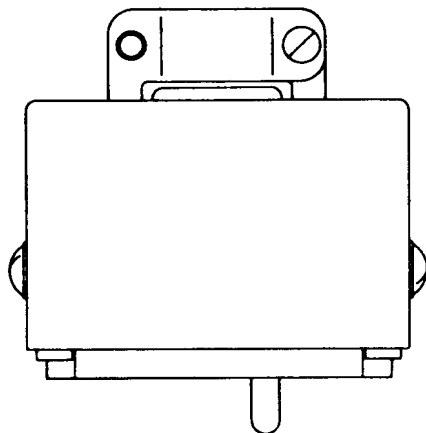


Fig. 34—KS-14460-Type Plug

(b) **KS-14460, L2:** The KS-14460, L2, plug has the cable clamp located and assembled on top of the cover. The KS-14460, L2, plug has a rubber grommet fitted into the hole in the cover. This plug is used as a part of the W8E cord which is used with the J64001AL, L3, carrier test set.

(c) **KS-14460, L3:** The KS-14460, L3, plug has the cable clamp located on the top of the cover and assembled to the cover sides. The KS-14460, L3, plug is used as a part of the P19A cord.

2.18 KS-14461, L1, L2, and L3: The KS-14461 plugs (Fig. 35) consist of a molded rectangular block equipped with 20 gold-plated brass terminals assembled in an aluminum cover which is equipped with a cable clamp.

(a) **KS-14461, L1:** The KS-14461, L1, plug has the cable clamp located and assembled on top of the cover. The KS-14461, L1, plug is used as a part of the P20B cord which will be used with the J94002S, maintenance center test set for testing the N Carrier System.

(b) **KS-14461, L2:** The KS-14461, L2, plug has the cable clamp located and assembled on top of the cover. The KS-14461, L2, plug is used as a part of the W10B cord which is used with the J64001AL L3 carrier test set.

(c) **KS-14461, L3:** The KS-14461, L3, plug has the cable clamp located on the top of the cover and assembled to the cover sides. The KS-14461, L3, plug is used as a part of the P19A cord.

2.19 KS-14520: The KS-14520 (Fig. 36) is a 2-contact plug and is designed for use in the 2600-Hertz Single-Frequency Signaling System in Toll Systems. This plug is used with KS-14519-type jacks.

2.20 KS-14958, L1: The KS-14958, L1, plug (Fig. 37) is a molded rectangular block with 20 gold-plated brass terminals assembled in an aluminum cover with a cable clamp. This plug mates with the KS-14173 jack and is used in the J64047B sending unit associated with the J64047A transmission measuring set.

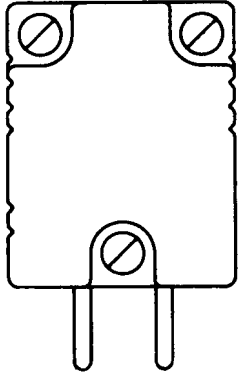


Fig. 36—KS-14520 Plug

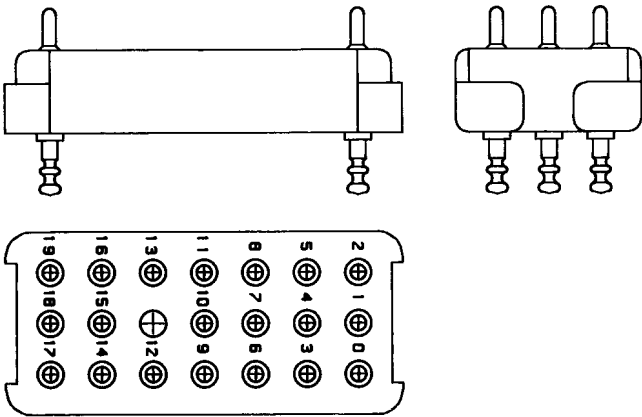


Fig. 37—KS-14958, L1, Plug