

NONCODED PLUGS—KS-19184 THROUGH KS-19912

DESCRIPTION

1. GENERAL

1.01 This practice lists and illustrates the noncoded plugs within the part or type number range of KS-19184 through KS-19912. These plugs are used for the maintenance and operation of equipment in central offices.

1.02 Revision arrows are used to emphasize significant changes. The reason for reissue is to add KS-19402, L2 and L3, connectors to paragraph 2.07.

2. DESCRIPTION OF PLUGS

2.01 **KS-19184, L1:** The KS-19184, L1 (Fig. 1) is a miniature, 50-ohm, coaxial, snap-on, right-angle plug. This plug mates with the KS-19180, KS-19181, KS-19182, KS-19185, and KS-19270 connectors.

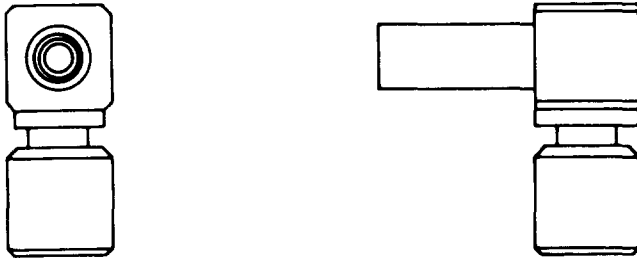


Fig. 1—KS-19184, L1, Plug

2.02 **KS-19186, L1:** The KS-19186, L1 (Fig. 2) is a miniature, 50-ohm, coaxial, snap-on, terminating plug containing a 75-ohm resistor. This plug mates with the KS-19180, KS-19181, KS-19182, KS-19185, and KS-19270 connectors and is used in the J68858L multiplex carrier telephone in Toll Systems.

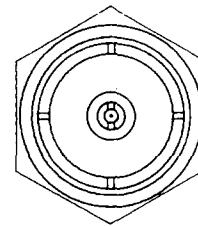
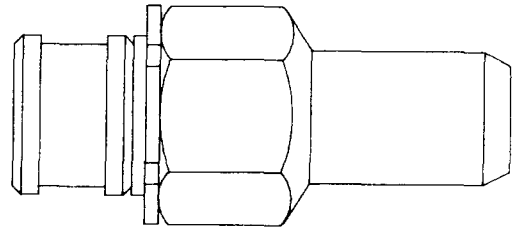


Fig. 2—KS-19186, L1, Plug

2.03 **KS-19236, L1, L2, and L3:** The KS-19236, L1, L2, and L3, plugs (Fig. 3) are equipped with terminals and two guide pins. These plugs mate with associated KS-19235 sockets.

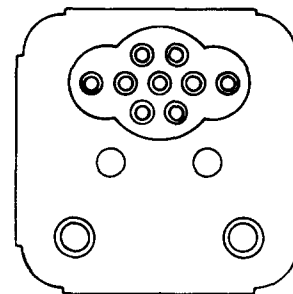


Fig. 3—KS-19236, L1, L2, or L3, Plug

2.04 KS-19270, L1: The KS-19270, L1 (Fig. 4) is a miniature, 50-ohm coaxial, snap-on plug arranged for solderless shield connections to a KS-19224 cable by means of a sleeve. This plug mates with KS-19183, KS-19186, and KS-19189 connectors. This plug is used on the J68858L multiplex carrier telephone in Toll Systems.

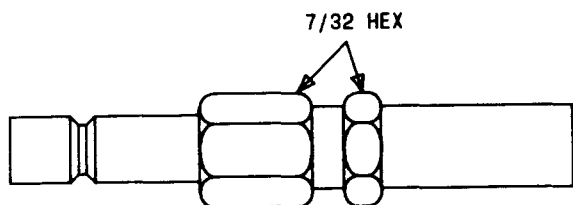


Fig. 4—KS-19270, L1, Plug

2.05 KS-19276, L1 Through L8: The KS-19276, L1 through L8, (Fig. 5) are multicontact, male plugs, equipped with gold-plated contacts. The L1 through L7 have wiring ends arranged for printed circuit board connections. The L8 is equipped with solder terminations, each of which will accept two 20-gauge wires. For more information, see Table A.

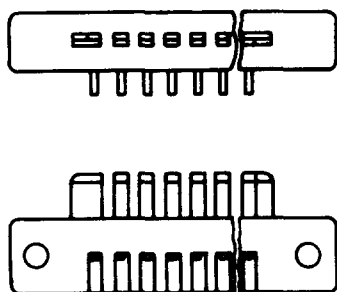


Fig. 5—KS-19276-Type Plug

2.06 KS-19332, L1, L2, and L3: The KS-19332, L1, L2, and L3 (Fig. 6) are crimp-type, coaxial plugs. These plugs are capable of mating with any coaxial female connector.

(a) **KS-19332, L1:** The KS-19332, L1, plug is equipped with an insulated boot. The plug will accommodate a RG59/U cable and is intended for use in the J99296N order wire and alarm unit of the TL-2 Radio System.

(b) **KS-19332, L2:** The KS-19332, L2, plug will accommodate a 730A cable and is intended for use in the J68392A transmitter-receiver.

(c) **KS-19332, L3:** The KS-19332, L3, plug will accommodate a 728A cable and is intended for use in the J68392A transmitter-receiver.

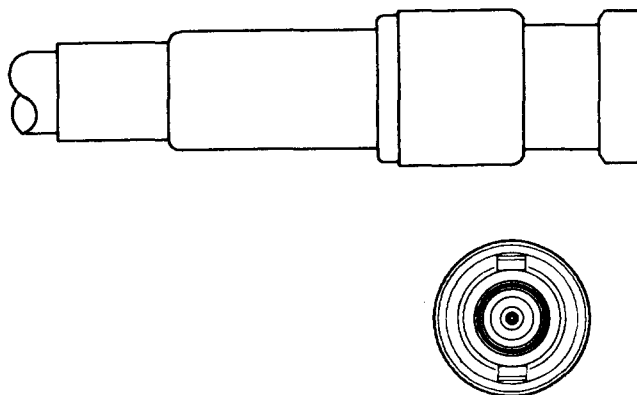


Fig. 6—KS-19332, L1, L2, or L3, Plug

2.07 KS-19402, L1, L2, and L3: The KS-19402, L1, L2, and L3 (Fig. 7) are polarized, coaxial plugs, consisting of a molded block of insulating material. The plugs are equipped with 12 miniature, floating, snap-in contacts in 2 rows of 6; a screw-lock mechanism, a protective skirt, and a cable clamp. These plugs are used in the 301B data set.

(a) **KS-19402, L1:** The KS-19402, L1 is a polarized coaxial plug that mates with the KS-19401, L1, connector.

(b) **KS-19402, L2:** The KS-19402, L2 is a polarized coaxial plug. The 12 outer contacts, 12 inner contacts, and 12 shields are shipped as a package and are not assembled in with the apparatus.

(c) **KS-19402, L3:** The KS-19402, L3 is a polarized coaxial plug, and consists of one outer, one inner contact, and one shield connector packaged unassembled as a set.♦

2.08 KS-19473, L1 and L2: The KS-19473, L1 and L2 are N-type, 50-ohm, weatherproof, coaxial plugs.

TABLE A			
KS-19276 LIST NO.	NO. OF TERMINALS	MATES WITH CONNECTOR KS-16182 LIST NO.	USED IN
1	10	3, 9	55A and 57A Control Unit and 24C Loop Check Generator
2	15	4	
3	22	5	
4	21	6	
5	6	7, 8	L-Type Multiplex Terminal
6	22	5	
7	10	3, 9	L3 Multiplex System
8	15	4	55A and 57A Control Units

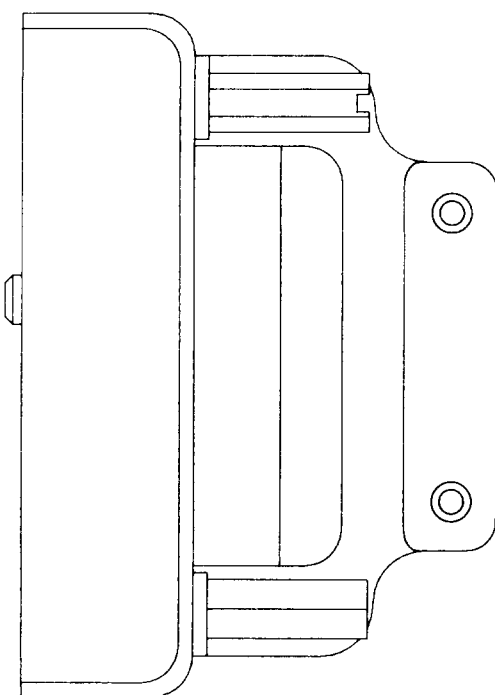


Fig. 7—KS-19402, L1, L2, or L3 Plug

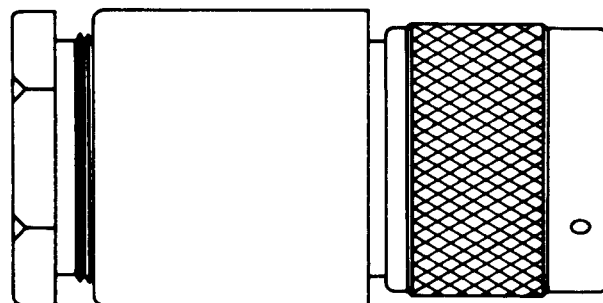


Fig. 8—KS-19473, L1, Plug

(a) **KS-19473, L1:** The KS-19473, L1, plug (Fig. 8) is used with the RG9B/U cable in the TH Radio System.

(b) **KS-19473, L2:** The KS-19473, L2 plug (Fig. 9) is used with the TH, TD-3 and TM Radio Systems.

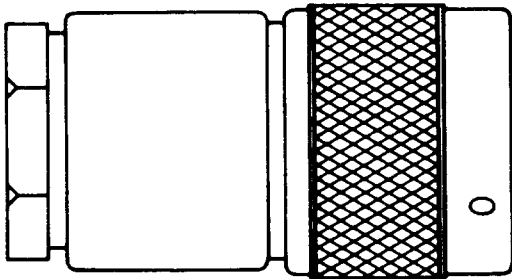


Fig. 9—KS-19473, L2, Plug

2.09 KS-19531, L1 and L2: The KS-19531, L1 and L2 (Fig. 10) are pin-type plugs. The L1 and L2 plugs are furnished in red and black handles, respectively. They are used with the KS-14510, L12, test leads in the N3 Carrier System.

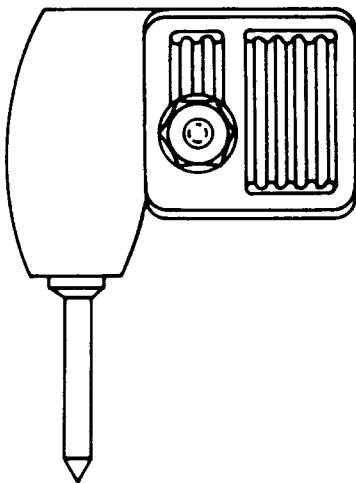


Fig. 10—KS-19531, L1 or L2, Plug

2.10 KS-19648, L1: The KS-19648, L1 (Fig. 11) is a gold-plated, banana plug with a threaded stud and furnished with a hex nut for panel mounting. The plug will mate with the KS-16949, L1, jack. The plug is used in the 4096-type network as a part of a 1A artificial cable kit.

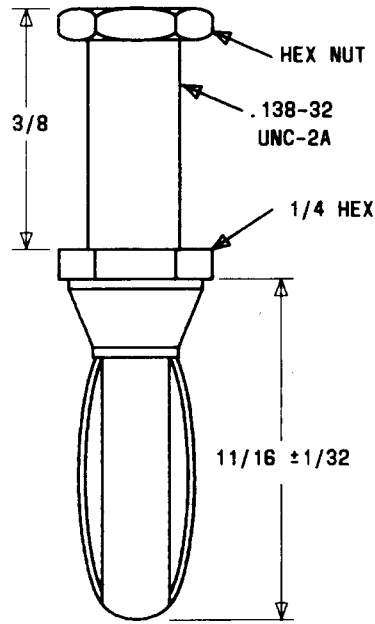


Fig. 11—KS-19648, L1, Plug

2.11 KS-19715, L1 (not illustrated): The KS-19715, L1, is a polarized, multicontact, male plug for panel mounting. The plug is equipped with 24 ribbon-type contacts in 2 equal rows of 12. The wiring ends of the contacts are arranged for solder connections. The KS-19715, L1, plug mates with the KS-19716, L1, receptacle. The plug is intended for use in the L-type multiplex terminal or similar equipment.

2.12 KS-19804, L2, L3, and L4: The KS-19804, L2, L3, and L4 are polarized, multicontact plugs and are used in the 101ESS* switch.

* Trademark of AT&T Technologies.

(a) **KS-19804, L2 and L3:** The KS-19804, L2 and L3, plugs (Fig. 12) consist of the KS-19862, L1, plug mounted in the KS-19805, L1 and L2, covers, respectively. These plugs mate with the KS-16672, L10, connector and KS-19804, L4, plug.

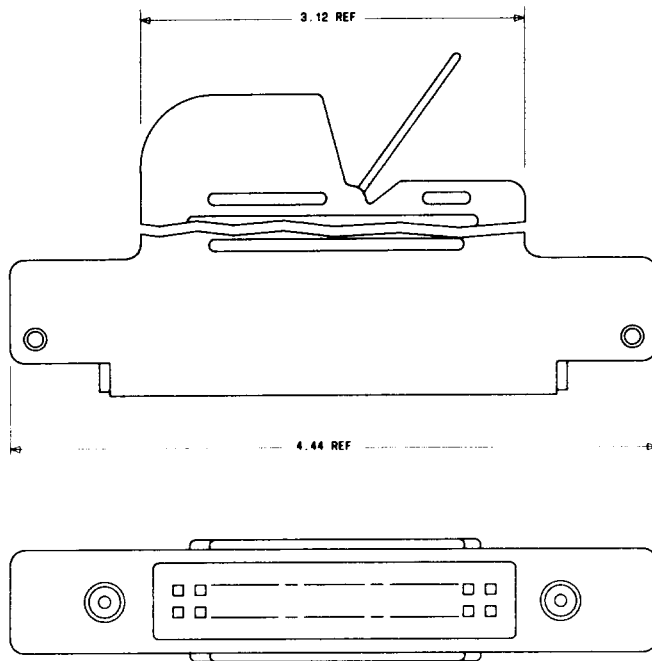


Fig. 12—KS-19804, L2 or L3, Plug

(b) **KS-19804, L4:** The KS-19804, L4, plug consists of a KS-16672, L10, plug mounted in the KS-19805, L3, cover. The L4 plug mates with the KS-19804, L2 and L3, plugs.

2.13 KS-19810, L1, L2, and L3: The KS-19810, L1, L2, and L3, plugs (Fig. 13) are polarized, multicontact, female plugs equipped with ten gold-plated, free-floating contacts. The wiring end of the contacts are arranged for solder connection.

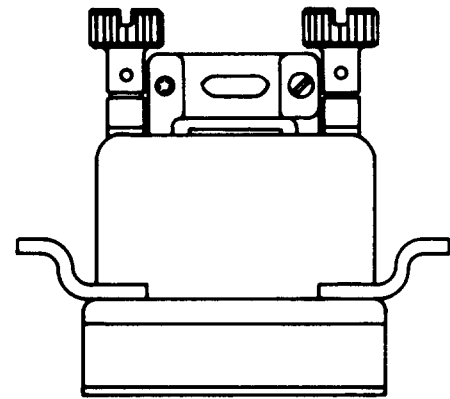


Fig. 13—KS-19810, L1, L2, or L3, Plug

(a) **KS-19810, L1:** The KS-19810, L1, plug is housed in a metal shell provided with locking spindles and a cable clamp. The KS-19810, L1, plug mates with the KS-19811, L1, connector and is used in the power supply in the TD-3 Radio System.

(b) **KS-19810, L2:** The KS-19810, L2, plug is provided with locking spindles and a cable clamp. The KS-19810, L2, plug mates with the KS-19811, L2, connector and is used in the TM-1 Radio System.

(c) **KS-19810, L3:** The KS-19810, L3, plug is provided with nonlocking guide pins and mates with the KS-19811, L3, connector. The L3 plug is used in the TM-1 Radio System.

2.14 KS-19862, L1: The KS-19862, L1, plug (Fig. 14) is equipped with 64 gold-plated, microribbon contacts and is arranged to mount in a KS-19805, L1 or L2, cover to form a KS-19804, L2 or L3, plug, respectively.

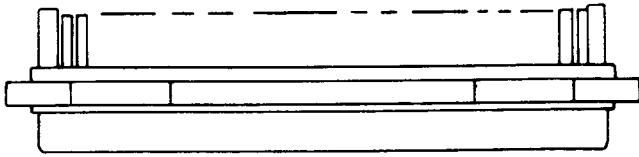


Fig. 14—KS-19862, L1, Plug

(a) **KS-19903, L1:** The KS-19903, L1, plug is arranged for solderless shield connection to a KS-19906 cable.

(b) **KS-19903, L2:** The KS-19903, L2, plug is arranged for solderless shield connection to a KS-19224, L2, cable.

2.15 KS-19902, L1 and L2: The KS-19902, L1 and L2 are miniature, 75-ohm, coaxial, snap-on plugs (Fig. 15).

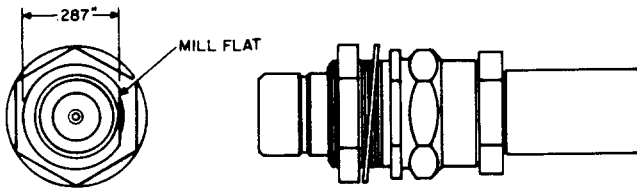


Fig. 15—KS-19902, L1 or L2, Plug

(a) **KS-19902, L1:** The KS-19902, L1, plug is arranged for a solderless shield connection to a KS-19906 cable. The plug is used in SF submarine cable terminals.

(b) **KS-19902, L2:** The KS-19902, L2, plug is arranged for a solderless shield connection to a 730A cable. The L2 plug is used in the L-type Multiplex System.

2.16 KS-19903, L1 and L2: The KS-19903, L1 and L2 (Fig. 16) are miniature, 75-ohm, coaxial, snap-on plugs. Both plugs will mate with the KS-19902 plug, KS-19899 adapter, and KS-19900, KS-19901, KS-19929 connectors.

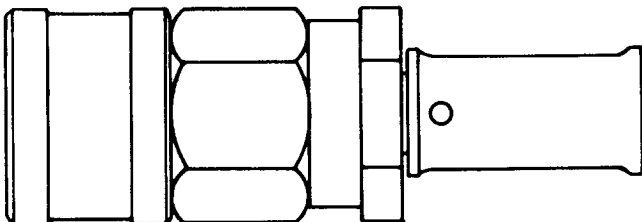


Fig. 16—KS-19903, L1 or L2, Plug

2.17 KS-19904, L1: The KS-19904, L1 (Fig. 17) is a miniature, 75-ohm, coaxial, snap-on, right-angle plug. This plug will mate with the KS-19902 plug, KS-19899 adapter, KS-19900, KS-19901, and KS-19929 connectors. This plug is intended for use in SF submarine cable terminals.

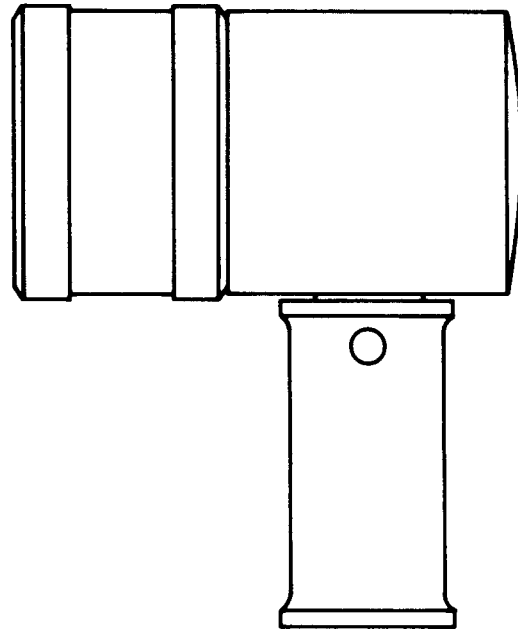


Fig. 17—KS-19904, L1, Plug

2.18 KS-19905, L1, L2, and L3: The KS-19905, L1, L2, and L3 (Fig. 18) are miniature, coaxial, snap-on plugs furnished with a resistor soldered between the center contact and body. These plugs mate with the KS-19902 plug, KS-19899 adapter, KS-19900, KS-19901, and KS-19929 connectors. The plugs are used in SF submarine cable terminals.

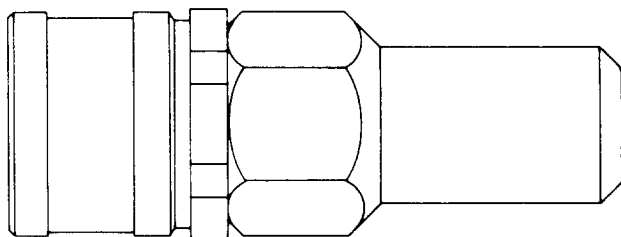


Fig. 18—KS-19905, L1, L2 or L3 Plug

2.19 KS-19912, L1 and L2: The KS-19912, L1 and L2 are multicontact plugs (Fig. 19).

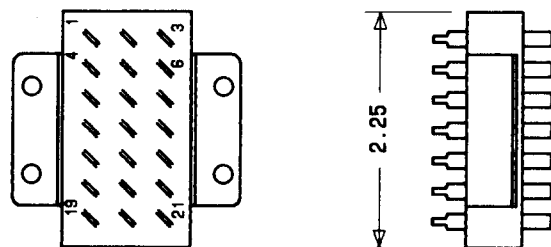


Fig. 19—KS-19912, L1 or L2, Plug

(a) **KS-19912, L1:** The KS-19912, L1 is a 27-contact plug and bracket assembly which will mate with the KS-8586, L34, socket. This plug is intended for use with the printed wiring cable in the KS-15984, KS-19825, and KS-19947 interrupters.

(b) **KS-19912, L2:** The KS-19912, L2 is a 21-contact plug and bracket assembly which will mate with the KS-8586, L32, socket. This plug is intended for use with the printed wiring cable in the KS-15900 and KS-19384 interrupters.