

**NONCODED PLUGS—KS-20126 THROUGH KS-20999**  
**DESCRIPTION**

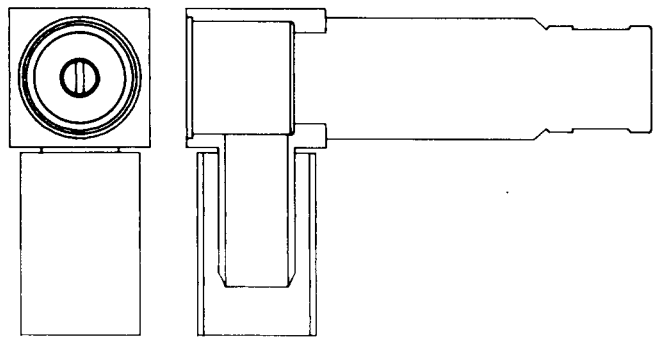
**1. GENERAL**

**1.01** This section lists and illustrates noncoded plugs within the part or type number range of KS-20126 through KS-20999, used for the maintenance and operation of equipment in central offices.

**1.02** The information provided in this section was previously shown in Section 032-302-101, Issue 3. The KS-20126, L1, KS-20273, L1, and KS-20634, L1, plugs were added to this section.

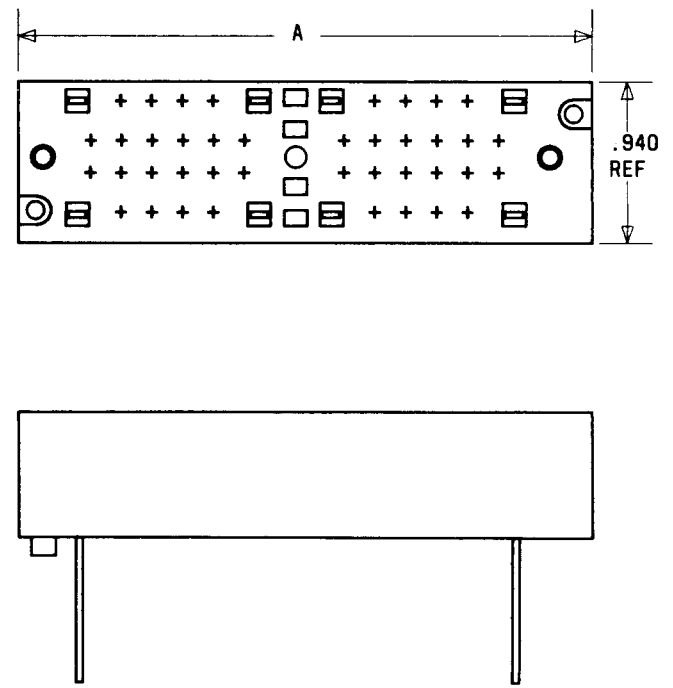
**2. DESCRIPTION OF PLUGS**

**2.01 KS-20126, L1:** The KS-20126, L1 (Fig. 1) is a miniature, 50-ohm, coaxial, snap-on, right-angle plug. This plug is arranged for solderless shield connection to a 730A cable by means of a sleeve. This plug mates with the KS-19180, L1, connector and is used in the J68383 terminal.



**Fig. 1—KS-20126, L1, Plug**

**2.02 KS-20203, L1 and L2:** The KS-20203, L1 and L2 (Fig. 2) are polarized, multicontact, female plugs consisting of 48 terminals in four rows of 12 each. These terminals are arranged to accommodate eight KS-20218, L1, coding pins for keying. The wiring end of the terminal is arranged for two solderless wrapped connections of 24- or 26-gauge wire. The L1 plug dimension A is 3.140 inches and the L2 plug dimension A is 3.330 inches. The KS-20203, L1 and L2, plug mates with the KS-20320, L1, connector. Two KS-20203, L1, plugs mate with the KS-20204, L1, mounting when equipped with KS-20217, L1, trays. The KS-20203, L1 and L2, plugs are intended for use in the No. 2 Electronic Switching System (ESS) and the remote line concentrator, respectively.

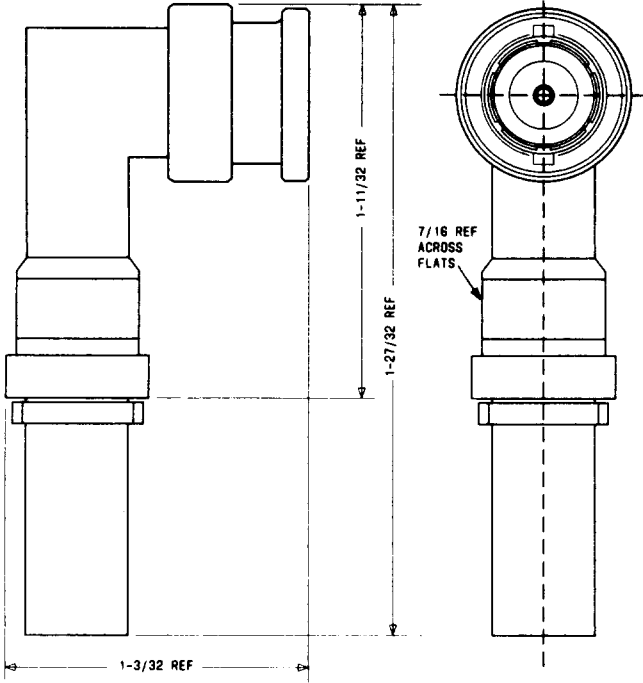


**Fig. 2—KS-20203, L1 or L3, Plug**

**NOTICE**

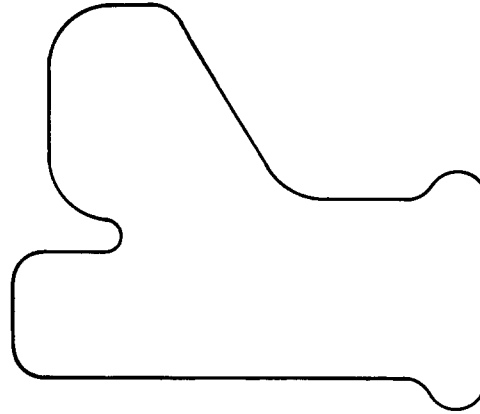
Not for use or disclosure outside the  
Bell System except under written agreement

**2.03 : KS-20240, L1:** The KS-20240, L1 (Fig. 3) is a right-angle, coaxial plug arranged for solderless shield connection to a 730A cable by means of a sleeve. This plug is intended for use in the TD-3 Radio System, Toll System and other telephone products.



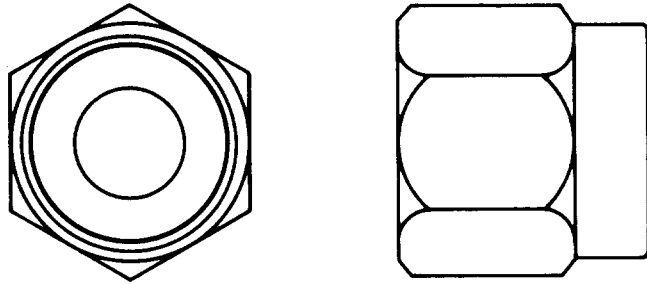
**Fig. 3—KS-20240, L1, Plug**

**2.04 KS-20244, L1:** The KS-20244, L1, plug (Fig. 4) consists of a plastic body equipped with a retaining spring. This plug is intended for use as a pair opening device when inserted into positions of a 444 jack or 301-type connector on main frames in central offices.



**Fig. 4—KS-20244, L1, Plug**

**2.05 KS-20263, L1:** The KS-20263, L1 (Fig. 5) is a miniature, 50-ohm coaxial, male, screw-on plug arranged for connection to a 0.141-inch diameter semirigid coaxial cable and mates with a KS-20265, L1, connector.



**Fig. 5—KS-20263, L1, Plug**

**2.06 KS-20273, L1:** The KS-20273, L1 (Fig. 6) is an N-type, 50-ohm, coaxial, screw-on plug arranged for connection to a 0.141-inch semirigid coaxial cable. This plug is used in the TD-3 and TH-3 Radio Systems.

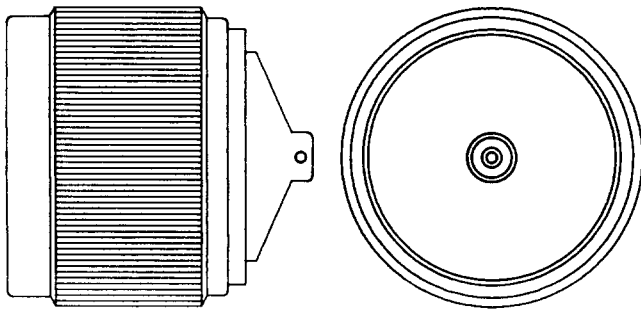


Fig. 6—KS-20273, L1, Plug

**2.07 KS-20439, L1:** The KS-20439, L1 (Fig. 7) is a miniature, 50-ohm, coaxial, female, screw-on, right-angle plug arranged for solderless connection to a KS-19224 cable by means of a crimped sleeve. This plug is intended for use in Digital Transmission System terminals and other telephone products.

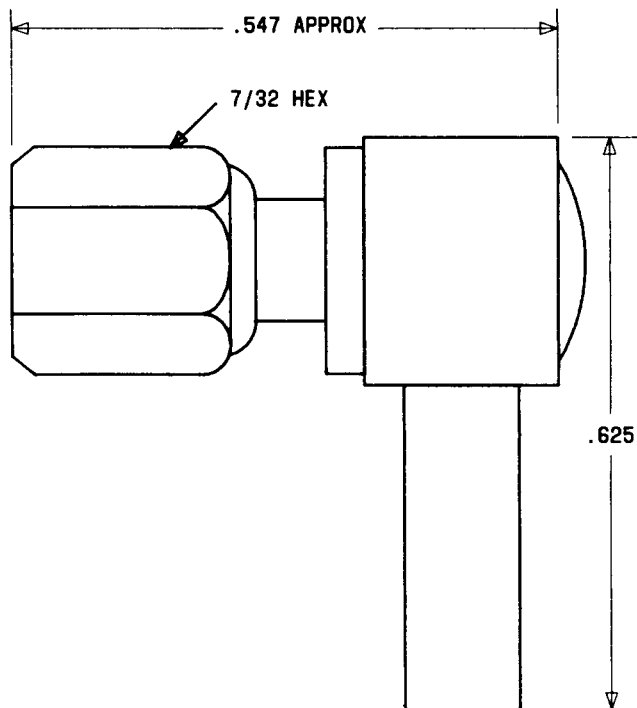


Fig. 7—KS-20439, L1, Plug

**2.08 KS-20447, L1:** The KS-20447, L1 (Fig. 8) is a gold-plated, front-inserted, miniature rivet-type banana plug and is intended for use in the D2 digital channel bank.

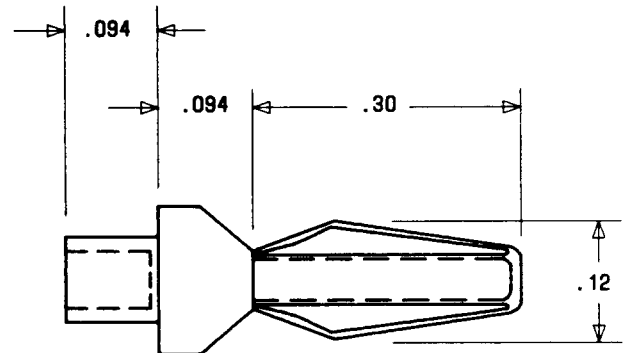


Fig. 8—KS-20447, L1, Plug

**2.09 KS-20450, L1 and L2:** The KS-20450, L1 and L2 (Fig. 9) are miniature, straight, pin-type plugs. These plugs are used in the D2 digital channel bank.

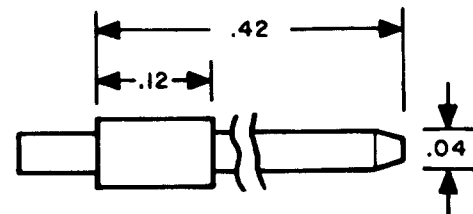


Fig. 9—KS-20450, L1 or L2, Plug

**2.10 KS-20451, L1:** The KS-20451, L1 (Fig. 10) is a miniature, right-angle, bent, pin-type plug having a hard, gold-plated finish. This plug is used in the D2 digital channel bank.

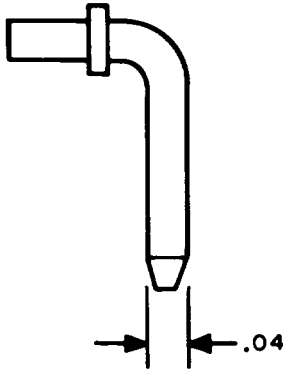


Fig. 10—KS-20451, L1, Plug

2.11 **KS-20462, L1 and L2:** The KS-20462, L1 and L2 (Fig. 11) are high-voltage, environmental power plugs equipped with three and six female contacts, respectively. The KS-20462, L1 and L2, plugs mate with the KS-20461, L1 and L2, connectors, respectively.

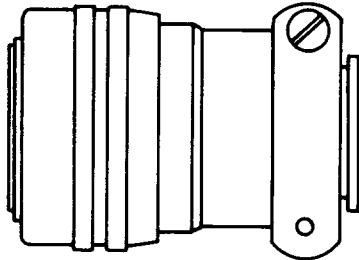


Fig. 11—KS-20462, L1 or L2, Plug

2.12 **KS-20497, L1:** The KS-20497, L1 (Fig. 12) is a polarized, multicontact, female plug equipped with 23 gold-plated contacts. This plug is arranged to mate with the KS-20496, L1, connector.

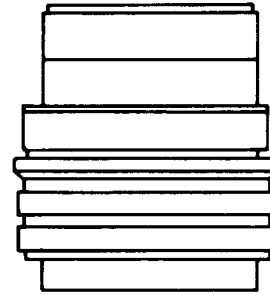


Fig. 12—KS-20497, L1, Plug

2.13 **KS-20634, L1:** The KS-20634, L1 (Fig. 13) is a miniature, hexagonal plug with four gold-plated socket contacts in a polarizing arrangement, and is equipped with a vibration spring, plastic hood and floating cable clamp. This plug is used with coaxial switches.

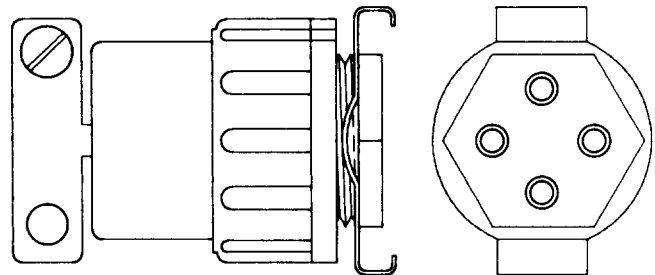


Fig. 13—KS-20634, L1, Plug

2.14 **KS-20719:** The KS-20719 (Fig. 14) is a plastic, dummy plug, without electrical connection, for use in jacks normally actuated by 309-type plugs.

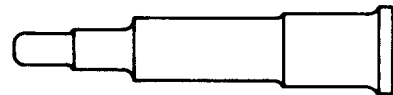


Fig. 14—KS-20719 Plug

2.15 **KS-20732:** The KS-20732 (Fig. 15) is a twin, signal-type plug of molded nylon. This plug will fit in and block the sleeve openings of 513- and 556-type coaxial jacks.

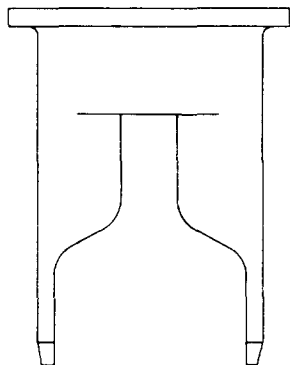


Fig. 15—KS-20732 Plug

2.16 **KS-20788, L1 and L2:** The KS-20788, L1 and L2, are miniature, twin-finger, 2-conductor, terminating plugs having resistances of 600 and 900 ohms, respectively. These plugs are used with the line test positions in conjunction with the KS-20693 jack panels.

(a) **KS-20788, L1:** The KS-20788, L1, plug is shown in Fig. 16.

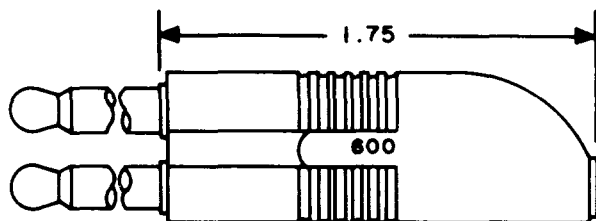


Fig. 16—KS-20788, L1, Plug

(b) **KS-20788, L2:** The KS-20788, L2, plug is shown in Fig. 17.

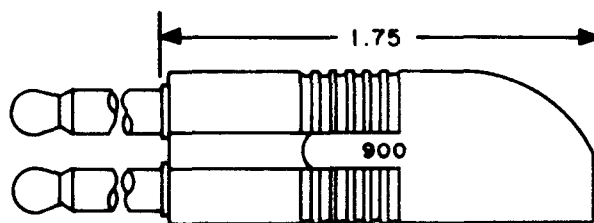


Fig. 17—KS-20788, L2, Plug

2.17 **KS-20864-Type:** The KS-20864, L1 through L15, are 75-ohm, coaxial, snap-on plugs used with KS-20863 connectors and KS-21172 adapters. For more information, see Table A. The KS-20864, L16 through L19, are positive lock adapters for use in connecting KS-20864, L1, L2, L9, and L10, plugs to positive locking plugs when mated with KS-20863 jacks.

TABLE A

KS-20864 LIST NO.	FIG. NO.	CRIMPING TOOL KS-15710 LIST NO.	MOUNTING	INTENDED CABLE
1	18	4	Cable	KS-19689, L1
2	18	5	Cable	KS-19224, L2
3*	—	5	Cable	KS-19224, L2
4*	—	6	Cable	730A
5	—	5	Bulkhead	KS-19224, L2
6	19	Soldered	Bulkhead	—
7	—	Soldered	Bulkhead	—
8*	—	Soldered	Bulkhead	—
9	18	5	Cable	KS-21112, L1
10	18	5	Cable	KS-19224, L2
11	20	—	Printed Wiring Board	—
12†	18	4	Cable	KS-19689, L1
13†	18	5	Cable	KS-19224, L2
14†	18	5	Cable	730A
15†	18	5	Cable	724/728

\* Right angle plug.

† Positive lock features.

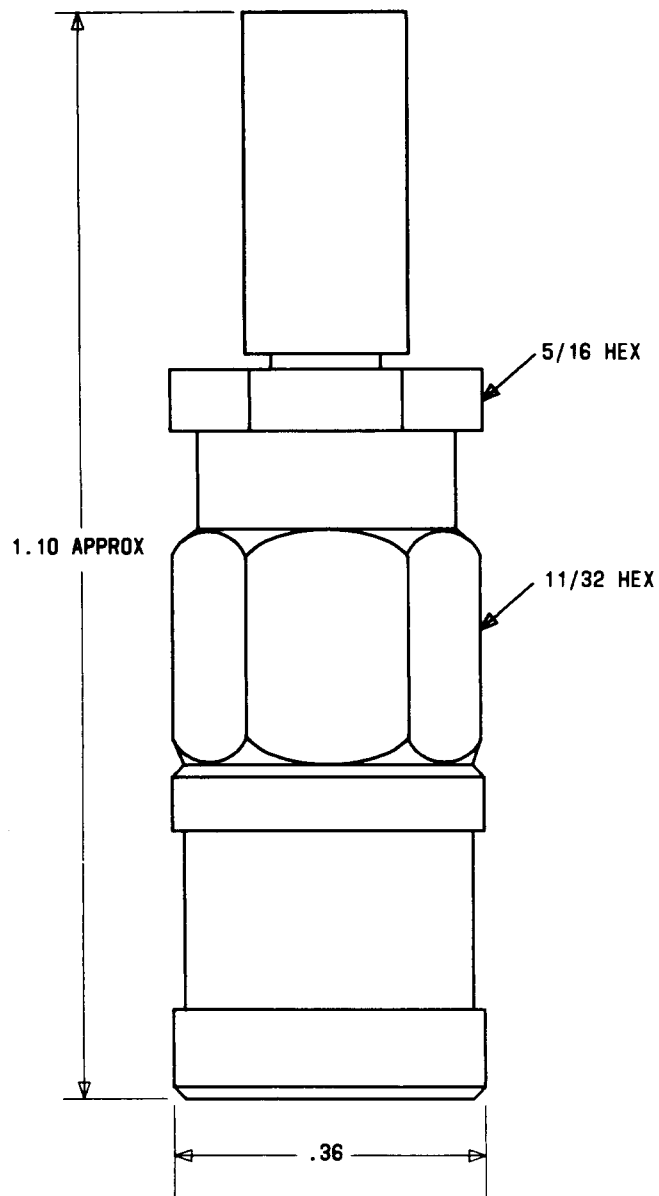


Fig. 18—KS-20864, L1, L2, L9, L10, and L12 Through L15, Plugs

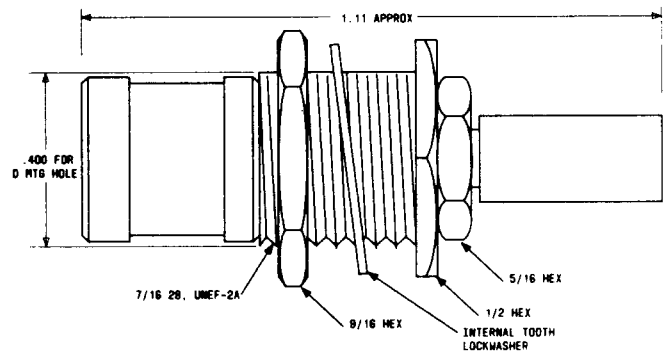


Fig. 19—KS-20864, L6, Plug

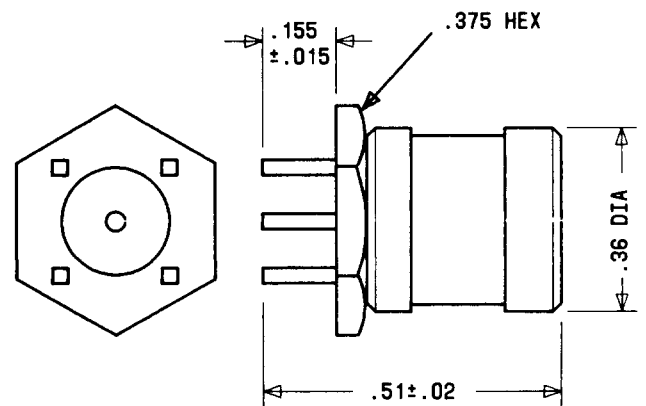


Fig. 20—KS-20864, L11, Plug

**2.18 KS-20948, L1:** The KS-20948, L1 (Fig. 21) is a dual, multicontact plug, consisting of two rectangular blocks of insulating material, each equipped with contacts and assembled in a 2-piece polarized hood. The hood is equipped with a cable clamp and two metal latching brackets for engagement with spring locking devices on the mating connectors. The L1 has 128 contacts and is intended for use in the No. 4 Toll System.

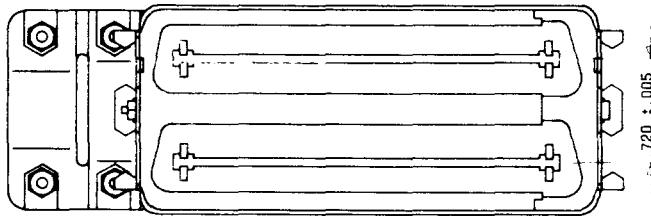
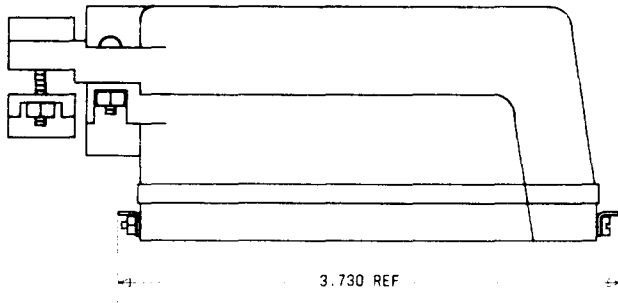


Fig. 21—KS-20948, L1, Plug

**2.19 KS-20999, L1:** The KS-20999, L1 (Fig. 22) is a miniature, single, 3-conductor type plug, equipped with a black handle. This plug is intended for use on a W3BL cord.

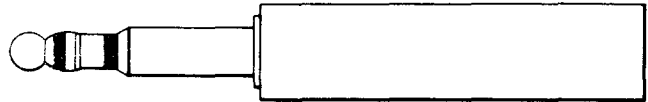


Fig. 22—KS-20999, L1, Plug