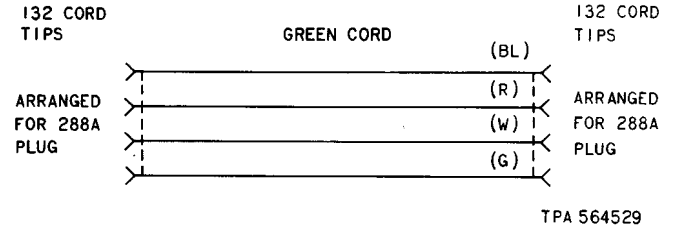
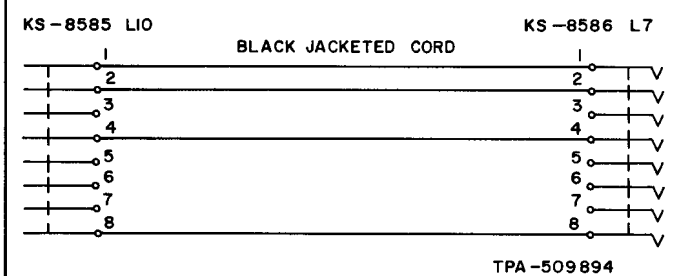
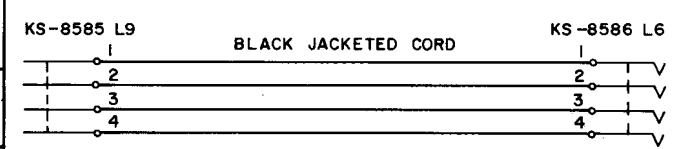


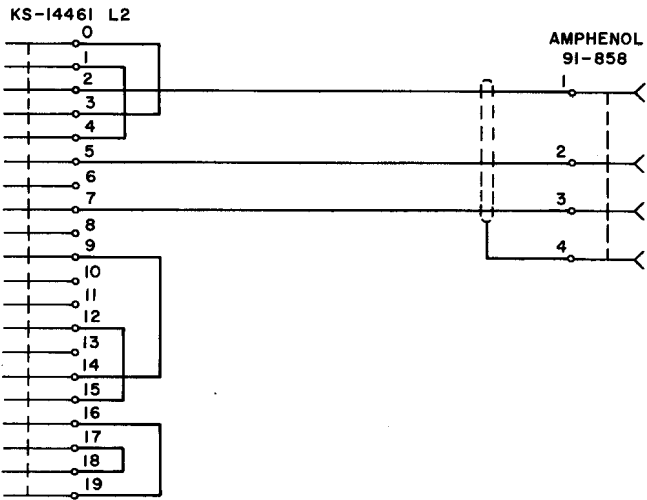
**PATCHING CORD ASSEMBLIES**  
**4-CONDUCTOR CORDS**  
**P4H TO P4AY**  
**DESCRIPTION**

<p><b>◆P4H◆</b> 3 feet long. Green cord will be furnished unless otherwise specified. Can also be obtained as follows, if specified: in green — 1 ft., 2 ft., 4 ft., or 6 ft. in slate — 2 ft., 4 ft., or 6 ft. in black — 2 ft., 4 ft., or 6 ft.</p>  <p>The code of the cord includes eight 132 cord tips. Both ends have been arranged for 288A plugs. The cord was intended initially for use on the No. 8 test and control board and No. 16, 17B, and 18B toll test boards.</p>	<p><b>P4AF</b> 1 foot long Res 0.006 Ω/ft</p>  <p>The code of the cord includes one KS-8585 L10 plug and one KS-8586 L7 socket. The cord was intended initially for use with the No. 5U test set in testing types N and O Carrier Telephone System equipment.</p>
<p><b>P4J (Mfr Disc.)</b></p>	<p><b>P4AH (Mfr Disc.)</b> (Replaced by the P4BF cord)</p>
<p><b>P4K (Mfr Disc.)</b> (Replaced by the P4BB cord)</p>	<p><b>P4AJ</b> 3 feet and 6 feet long (Unless otherwise stated the 3-foot length will be furnished) Res 0.006 Ω/ft</p>
<p><b>P4L (Mfr Disc.)</b> (Replaced by the P4BC cord)</p>	
<p><b>P4N (Mfr Disc.)</b> (Replaced by the P4BD cord)</p>	<p>The code of the cord includes one KS-8585 L9 plug and one KS-8586 L6 socket. The cord was intended initially for use with the J98705U test set in testing ON/K Carrier Telephone System equipment.</p>
<p><b>P4R (Mfr Disc.)</b> (Replaced by the P4BE cord)</p>	
<p><b>P4AA (Mfr Disc.)</b> (Replaced by the P4BH cord)</p>	
<p><b>P4AC (Mfr Disc.)</b> (Replaced by the P4BJ cord)</p>	

**P4AK**

13 feet long

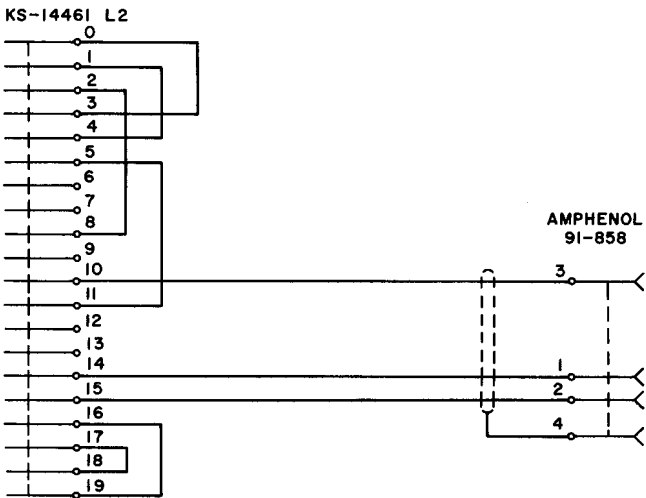
Res 0.01  $\Omega$ /ft.



The code of each cord includes one KS-14461 L2 plug and one Amphenol 91-858 connector. The cord was intended initially for use with the J94070A spectrum generator test set in the K, N, and ON/K Carrier Systems. The marking on P4AK cord is EAST  $\rightarrow$  WEST REP OUT.

**P4AL**

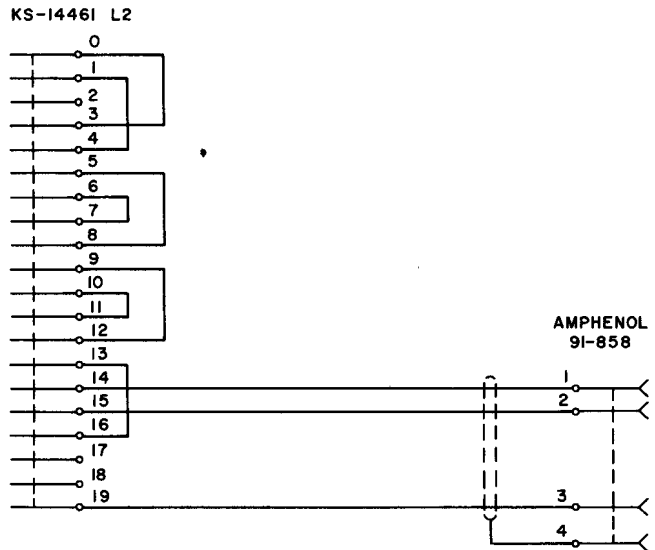
Res 0.01  $\Omega$ /ft



The code of each cord includes on KS-14461 L2 plug and one Amphenol 91-858 connector. The cord was intended initially for use with the J94070A spectrum generator test set in the K, N, and ON/K Carrier Systems. The marking on P4AL cord is WEST  $\rightarrow$  EAST REP OUT.

**P4AM**

Res 0.01  $\Omega$ /ft

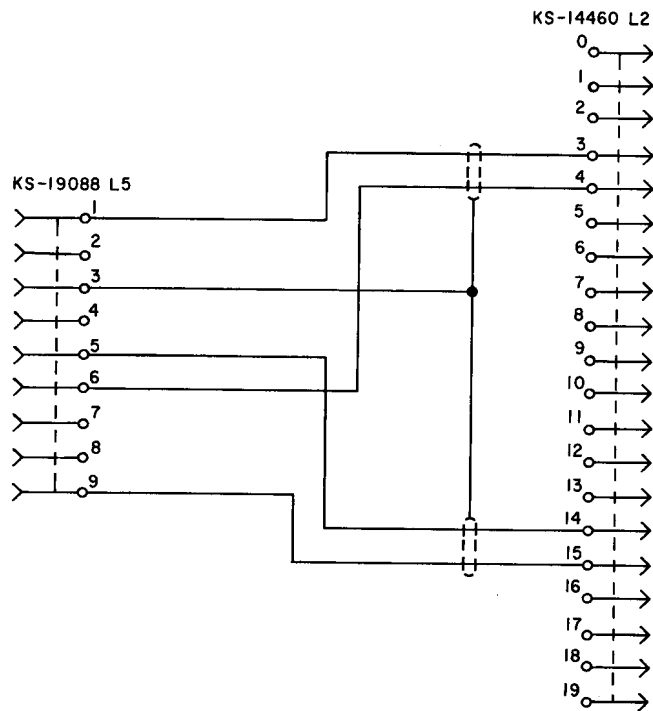


The code of each cord includes on KS-14461 L2 plug and one Amphenol 91-858 connector. The cord was intended initially for use with the J94070A spectrum generator test set in the K, N, and ON/K Carrier Systems. The marking on P4AM cord is TERM. OUT.

**P4AN**Res 0.05  $\Omega$ /ft

12 feet long or 6 inches long

(Unless otherwise specified, 12 foot cords shall be furnished. Order length required.)

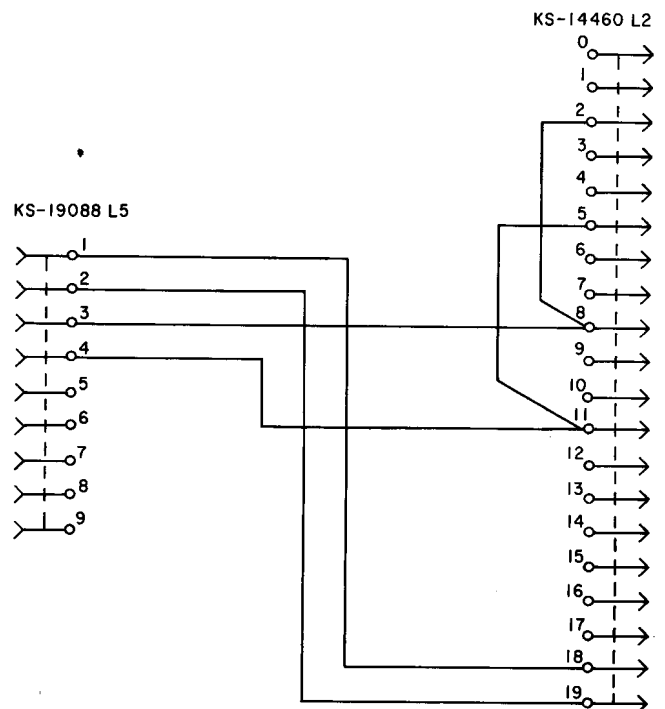


The code of the cord includes one KS-19088 L5 connector and one KS-14460 L2 plug. On 12 foot cords only, connector end is also equipped with a P-17E761 cord fastener.

The cord initially was intended for use for in-service maintenance of the type N carrier terminal equipment.

**P4AP**

6 inches long

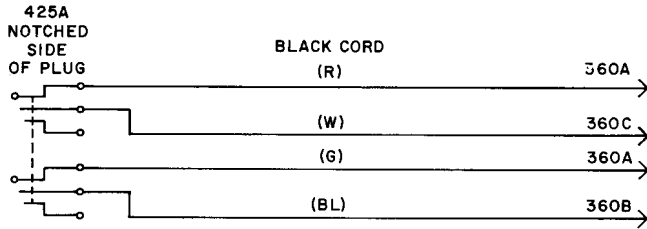


The code of the cord includes one KS-19088 L5 connector and one KS-14460 L2 plug.

The cord initially was intended for use for in-service maintenance of 240-type amplifiers in the type N carrier telephone systems.

**P4AS**

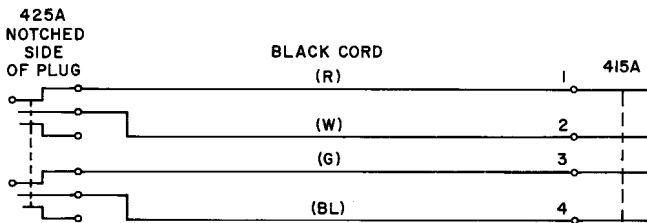
6 feet, 8 feet, 10 feet, or 20 feet long  
 (Unless otherwise specified, 6 foot cords shall be furnished. Order length as required.)  
 Res 0.16 Ω/ft



The code of the cord includes one 425A plug, two 360A-type tools, one 360B-type tool, and one 360C-type tool. The cord was intended initially for use in the No. 4 Toll Switching System.

**P4AT**

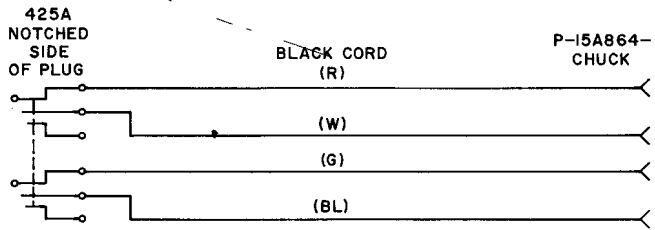
6 feet, 8 feet, or 10 feet long  
 (Unless otherwise specified 6 foot length shall be furnished. Other length as required.)  
 Res 0.16 Ω/ft



The code of the cord includes one 425A plug and one 415A plug. The cord was intended initially for use in the No. 4 Toll Switching System.

**P4AU**

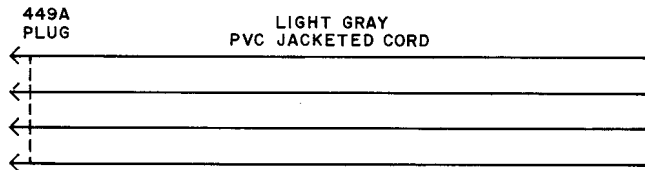
8 feet long  
 Res 0.16 Ω/ft



The code of the cord includes one 425A plug and four chucks arranged for connection to 0.045 inch square terminals. The cord was intended initially for use in the No. 4 Toll Switching System.

**P4AW**

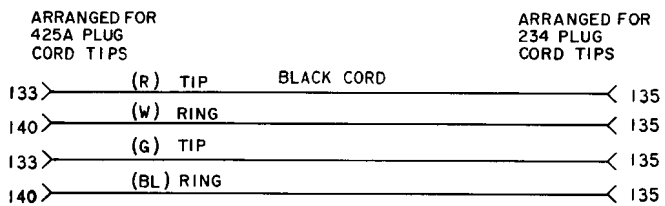
1 foot, 4 inches long  
 Res 0.05 Ω/ft



The code of the cord includes one 449A plug. The other end is finished with a plain band and 12 inch long free conductors. The cord was intended initially to be used on Traffic Service Position System No. 1.

**P4AY**

8 feet long  
 Res 0.21 Ω/ft



The code of the cord includes four 135 cord tips, two 133 cord tips, and two 140 cord tips. The cord was initially intended for use at 1DF-No. 4 Type Toll Switching Offices.