

PATCHING CORD ASSEMBLIES  
4-CONDUCTOR CORDS  
P4BA THROUGH P4BR  
DESCRIPTION

	CONTENTS	PAGE
1. GENERAL		1
2. DESCRIPTION OF CORDS		1
<b>Figures</b>		
1. P4BA Cord		1
2. P4BB Cord		2
3. P4BC Cord		2
4. P4BE Cord		2
5. P4BF Cord		2
6. P4BG Cord		3
7. P4BH Cord		3
8. P4BJ Cord		3
9. P4BN Cord		3
10. P4BR Cord		4
<b>Table</b>		
A. Available Length and Color of the P4BG Cord		3

1. GENERAL

- 1.01 This section lists and illustrates the P4BA through P4BR 4-conductor cords.
- 1.02 Revision arrows are used to emphasize significant changes. The reasons for reissue are listed below.
- (a) To add the P4BR cord
  - (b) To update the section to standard format.
- 1.03 For general information on these cords, refer to Section 032-314-100.

2. DESCRIPTION OF CORDS

2.01 **P4BA:** The P4BA cord (Fig. 1) includes one 428A plug and one 470B plug. The cord is intended for use with the D2 channel bank (pulse code modulation digital transmission). The cord is 5 feet long and has a resistance of 0.05 ohm per foot.

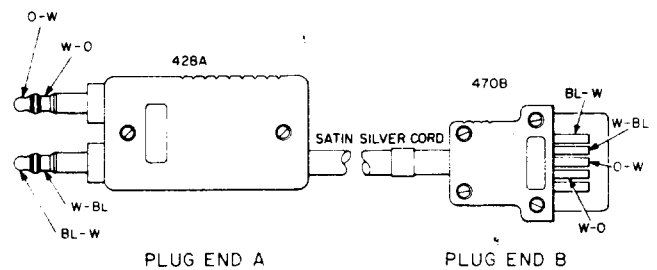


Fig. 1—P4BA Cord

LIBRARY  
FILE COPY

NOTICE

Not for use or disclosure outside the  
Bell System except under written agreement

**2.02 P4BB:** The P4BB cord (Fig. 2) includes four 107 cord tips, on plug end A, arranged for a 240-type plug. Plug end B has four 139 cord tips arranged for a 464C plug. The cord is intended for use in loop dialing toll train test and connector test circuits in Step-by-Step Dial Systems. The P4BB cord is recommended in place of the P4K cord. The cord is 12 feet long and has a resistance of 0.21 ohm per foot.

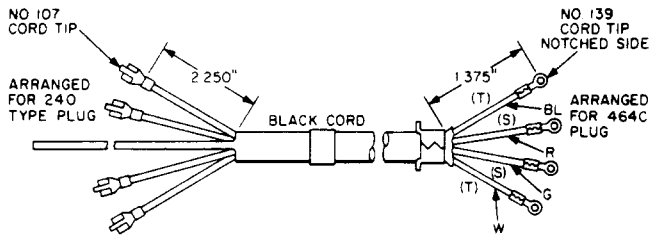


Fig. 2—P4BB Cord

**2.03 P4BC:** The P4BC cord (Fig. 3) includes four 122 cord tips, on plug end A, arranged for 234-, 235-, or 415A-type plugs. Plug end B has four 139 cord tips arranged for a 464C plug. The cord is intended for use as a patching cord and recommended in place of the P4L cord. The P4BC cord is 19 feet 6 inches long and has a resistance of 0.21 ohm per foot.

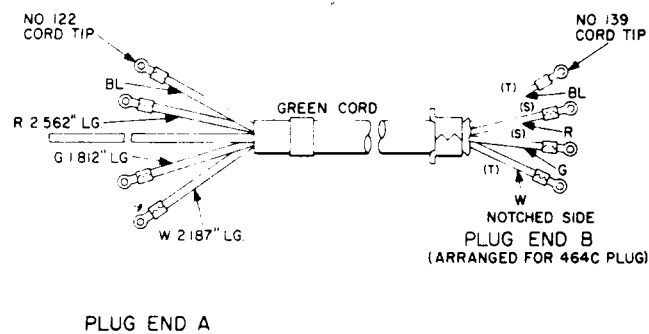


Fig. 3—P4BC Cord

**2.04 P4BD:** The P4BD cord is rated Mfr Disc. and replaced by the P4BG cord.

**2.05 P4BE:** The P4BE cord (Fig. 4) includes four 122 cord tips, on plug end A, arranged for a 234 or 235 plug. Plug end B has four 139 cord tips arranged for a 464C plug. A 300-ohm resistance is included in the green conductor. The cord is intended for use with panel service observing line circuits and recommended in place of the P4R cord. The P4BE cord is 19 feet 6 inches long and has a resistance of 0.21 ohm per foot.

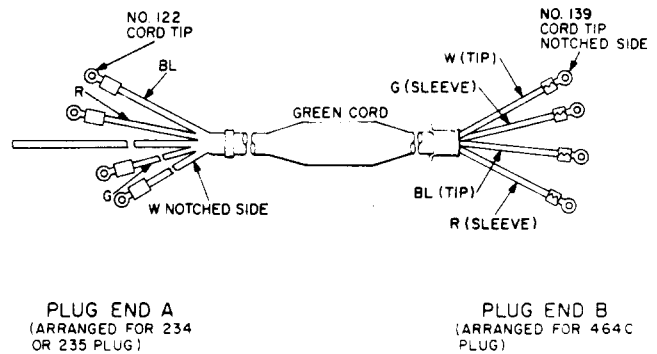


Fig. 4—P4BE Cord

**2.06 P4BF:** The P4BF (Fig. 5) includes four 140 cord tips, on plug end B, arranged for a 464C plug. Plug end A is divided into two legs with each arranged for a 301A plug. The cord is intended for use in cable testing the SD-95545-01 trunk circuit and recommended in place of the P4AH cord. The P4BF cord is 6 feet long and has a resistance of 0.21 ohm per foot.

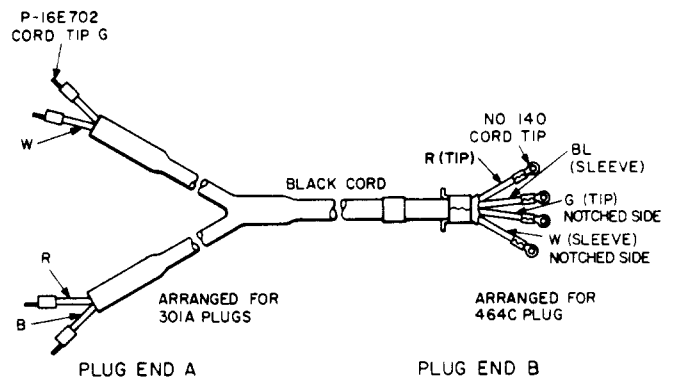


Fig. 5—P4BF Cord

**2.07 P4BG:** The P4BG cord (Fig. 6) includes four 132 cord tips, on each end, arranged for a 464C plug. The cord is intended for patching at test control boards. The cord has a resistance of 0.21 ohm per foot and may be ordered in lengths and colors as shown in Table A. Unless otherwise specified, a 3-foot long green cord will be furnished when ordered.

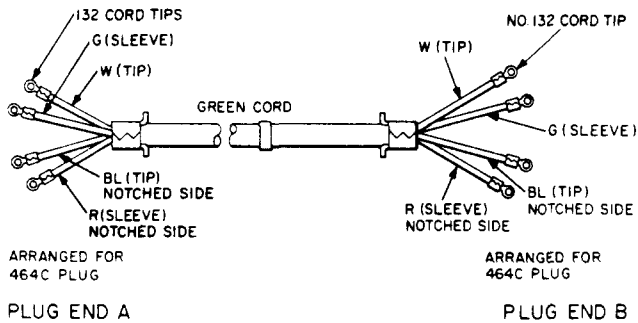


Fig. 6—P4BG Cord

TABLE A

AVAILABLE LENGTH AND COLOR OF THE P4BG CORD

COLOR	LENGTH
Green	1, 2, 4, or 6 feet
Slate	2, 4, or 6 feet
Black	2, 4, or 6 feet

**2.08 P4BH:** The P4BH cord (Fig. 7) includes four 107 cord tips, on plug end A, arranged for a 351A or B plug. Plug end B has four 139 cord tips arranged for a 464B plug. A 300-ohm resistance is contained in the green conductor. The cord is intended for use in the line link frame of a Crossbar Telephone System. The P4BH cord is 7 feet long and has a resistance of 0.21 ohm per foot. The P4BH cord is recommended in place of the P4AA cord.

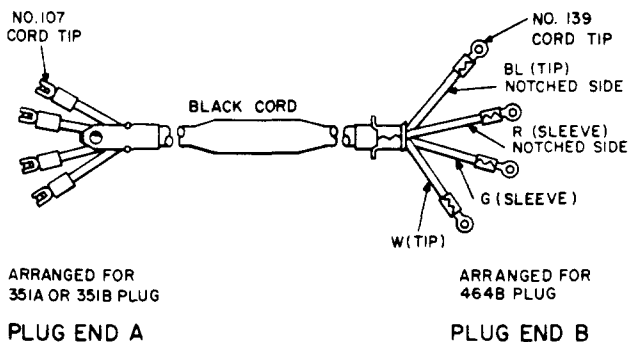


Fig. 7—P4BH Cord

**2.09 P4BJ:** The P4BJ cord (Fig. 8) includes four 107 cord tips, on plug end A, arranged for a 351E plug. Plug end B has four 139 cord tips arranged for a 464B plug. The cord is intended for use in Crossbar Dial Telephone Systems. The P4BJ cord is 7 feet long and has a resistance of 0.21 ohm per foot. The P4BJ cord is recommended in place of the P4AC cord.

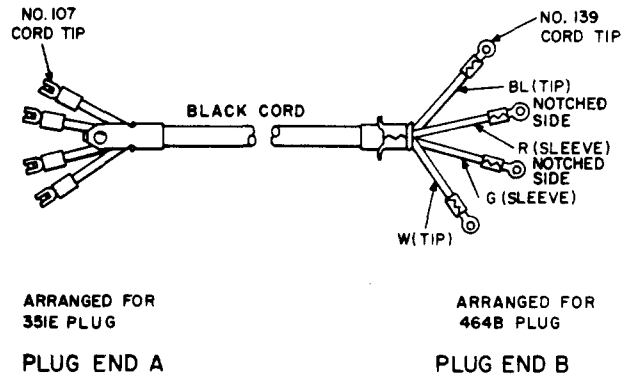


Fig. 8—P4BJ Cord

**2.10 P4BN:** The P4BN cord (Fig. 9) includes two plugs, one stamped A5 and one stamped A6. The notched side and plain side profiles of the plugs are respectively interconnected to the tip and sleeve of the A5 plug and to the tip and ring of the A6 plug. The cord is intended for use in patching between the A6 channel bank and A5 voice frequency patch bays. The P4BN cord is 8 feet 10 inches long and has a resistance of 0.21 ohm per foot.

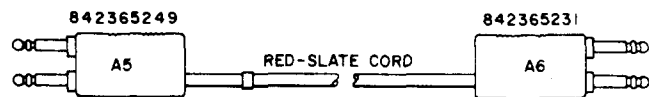
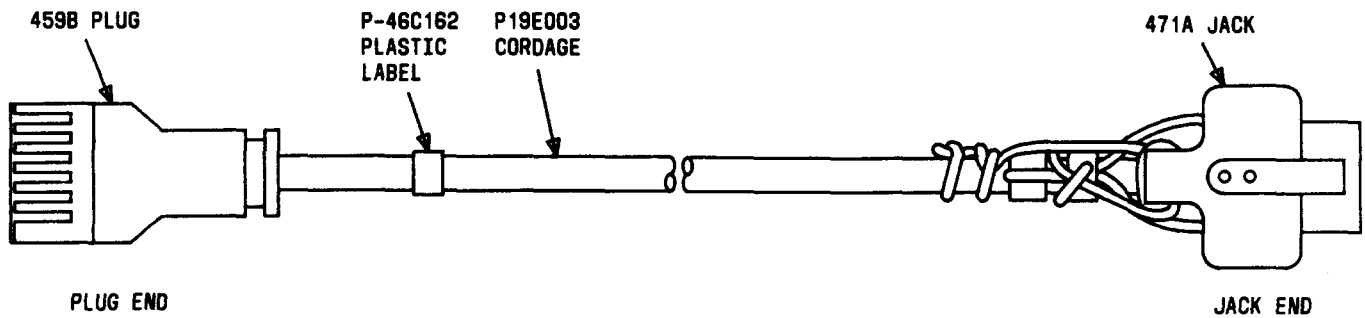


Fig. 9—P4BN Cord

◆2.11 **P4BR:** The P4BR (Fig. 10) is a black polyvinyl chloride (PVC) jacketed cord consisting of four tinsel conductors insulated with PVC compound. One end of the cord is equipped with a 459B plug and the other end is equipped with a 471A jack. The two tips and two rings of the 459B plug are connected to terminals 1 and 2 of the 471A jack respectively. The cord is intended for use in tracing calls in No. 5 crossbar offices. The P4BR cord is 7 feet long and has a dc resistance of 0.42 ohm per foot.◆



◆Fig. 10—P4BR Cord◆