

PATCHING CORD ASSEMBLIES
5-CONDUCTOR CORDS
5P1A THROUGH 5P7A
DESCRIPTION

1. GENERAL

1.01 This section lists and illustrates the 5P1A through 5P7A 5-conductor cords.

1.02 This section is reissued to:

- Update the format
- Rate the 5P4A and 5P6A cords Mfr Disc.

Revision arrows are used to emphasize the more significant changes. The Equipment Test List is not affected.

1.03 For general information on these cords, refer to Section 032-315-100.

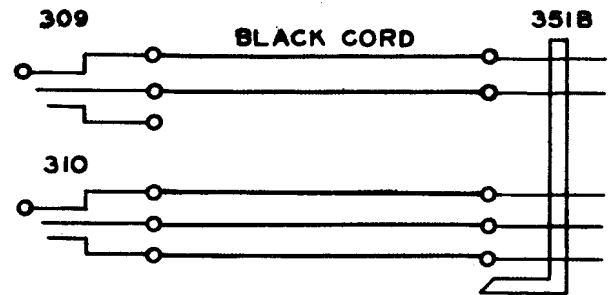
2. DESCRIPTION OF CORDS

5P1A —MFR DISC.

Replaced by the 5P2A cord.

5P2A

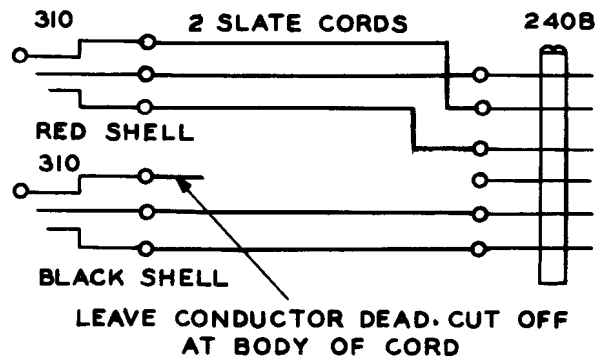
- 1 P5B cord, 7 feet long, equipped with:
1 309 plug
1 310 plug
1 351B plug
P-15A417 cord holders furnished, when specified.



Replaces the 5P1A cord.

5P3A

- 2 P3H cords, 10 feet long, equipped with:
1 310 plug (with red shell)
1 310 plug (with black shell)
1 240B plug



Res 0.018 Ω /ft

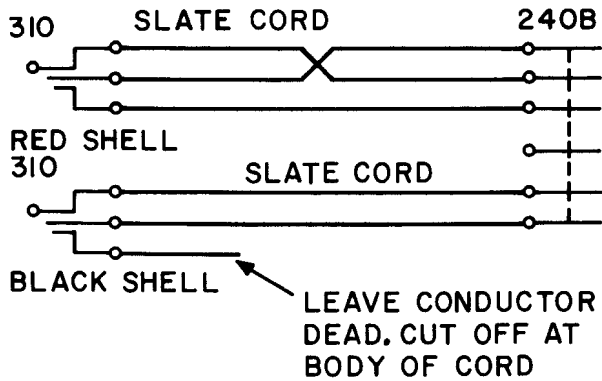
NOTICE

Not for use or disclosure outside the
Bell System except under written agreement

SECTION 032-315-102

5P3B

- 2 P3H cords, 10 feet long, equipped with:
 - 1 240B plug
 - 1 310 plug (with red shell)
 - 1 310 plug (with black shell)



Res 0.18 Ω /ft

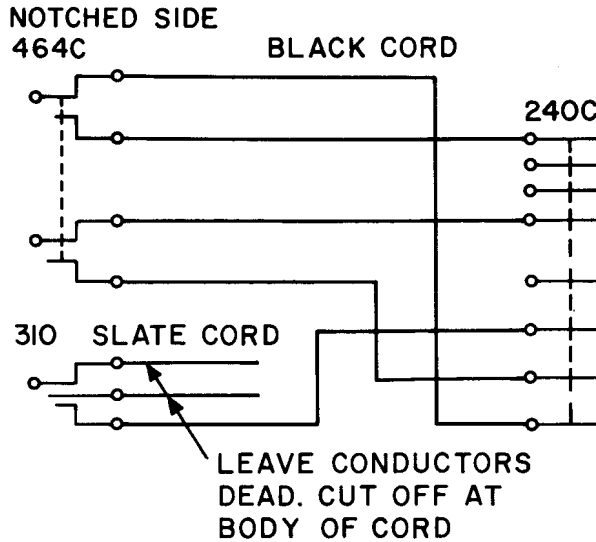
The 5P3B cord includes three 107 cord tips (insulated), one 120 cord tip, and one 121 cord tip. The cord is primarily intended for use with the J54701B test set.

◆5P4A—MFR DISC.

No replacement.◆

5P5A

- 1 P3H cord, 10 feet long and
- 1 P4BB cord, 12 feet long, equipped with:
 - 1 464C plug
 - 1 310 plug
 - 1 240C plug



Res 0.18 Ω /ft

◆5P6A—MFR DISC.

No replacement.◆

5P7A—MFR DISC.

Replaced by the W5F cord.