

**PATCHING CORD ASSEMBLIES**  
**6-CONDUCTOR CORDS**  
**6P1A THROUGH 6P15B**  
**DESCRIPTION**

**1. GENERAL**

**1.01** This section lists and illustrates the 6P1A through 6P15B 6-conductor cords.

**1.02** This section is reissued to:

- Update the format
- Change reference from P6L cord to P6Y cord
- Add the 6P11A, 6P12A, 6P15A, and 6P15B cords.

Revision arrows are used to emphasize the more significant changes. The Equipment Test List is not affected.

**1.03** For general information on these cords, refer to Section 032-316-100.

**2. DESCRIPTION OF CORDS**

**6P1A**

1 P6Y cord, 6 feet long, equipped with:  
2 425A plugs

**6P1B**

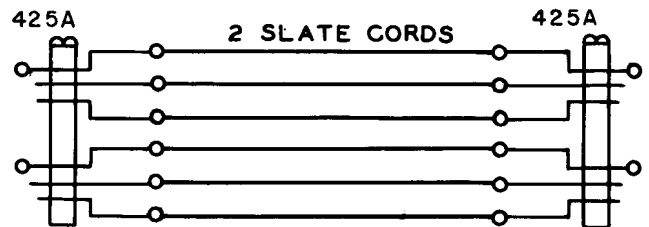
1 P6Y cord, 8 feet long, equipped with:  
2 425A plugs

**6P1C**

1 P6Y cord, 8 feet long, equipped with:  
2 425A plugs

**6P1D**

1 P6Y cord, 1 foot long, equipped with:  
2 425A plugs

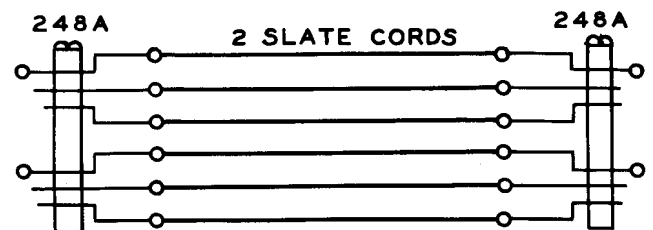


Res 0.28  $\Omega$ /ft

The 6P1D cord includes twelve 140 cord tips. The shanks of the cord tips on the ring conductors are insulated.

**6P2A**

2 P3E cords, 6 feet long, equipped with:  
2 248A plugs



Res 0.18  $\Omega$ /ft

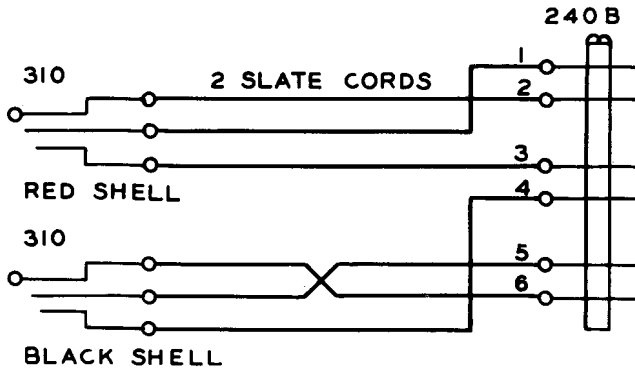
**NOTICE**

Not for use or disclosure outside the  
Bell System except under written agreement

SECTION 032-316-102

6P3A

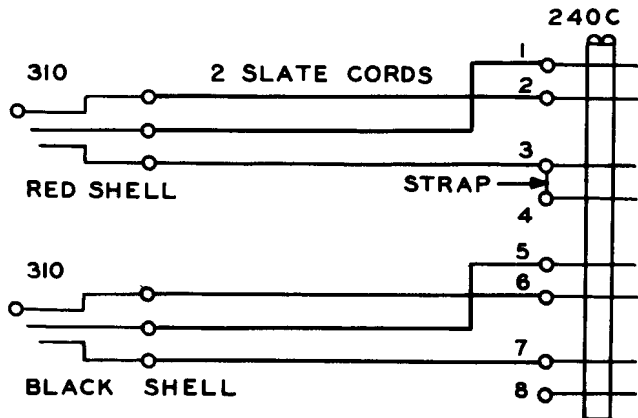
- 2 P3H cords, 5 feet long, equipped with:
  - 1 310 plug (with red shell)
  - 1 310 plug (with black shell)
  - 1 240B plug



Res 0.21  $\Omega$ /ft

6P4A

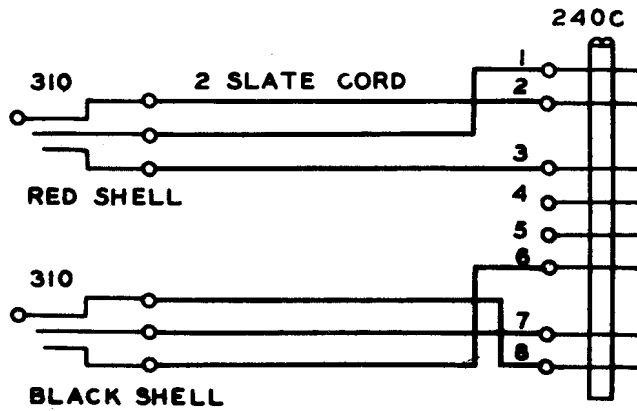
- 2 P3H cords, 10 feet long, equipped with:
  - 1 310 plug (with red shell)
  - 1 310 plug (with black shell)
  - 1 240C plug



Res 0.21  $\Omega$ /ft

6P4B

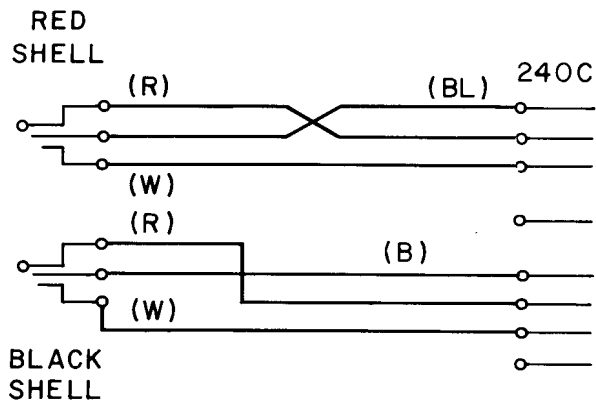
- 2 P3H cords, 10 feet long, equipped with:
  - 1 310 plug (with red shell)
  - 1 310 plug (with black shell)
  - 1 240C plug



Res 0.21  $\Omega$ /ft

6P4C

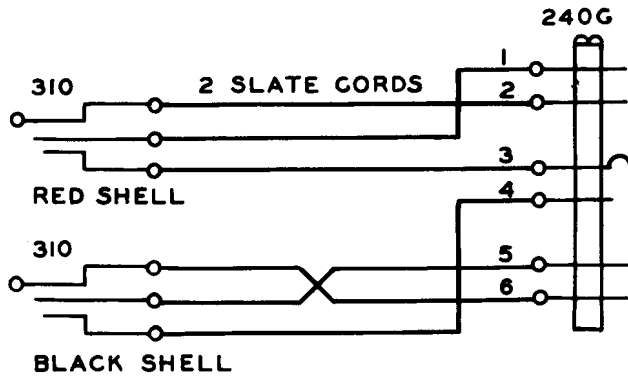
- 2 P3H cords, 10 feet long, equipped with:
  - 1 310 plug (with red shell)
  - 1 310 plug (with black shell)
  - 1 240C plug



Res 0.21  $\Omega$ /ft

**6P5A**

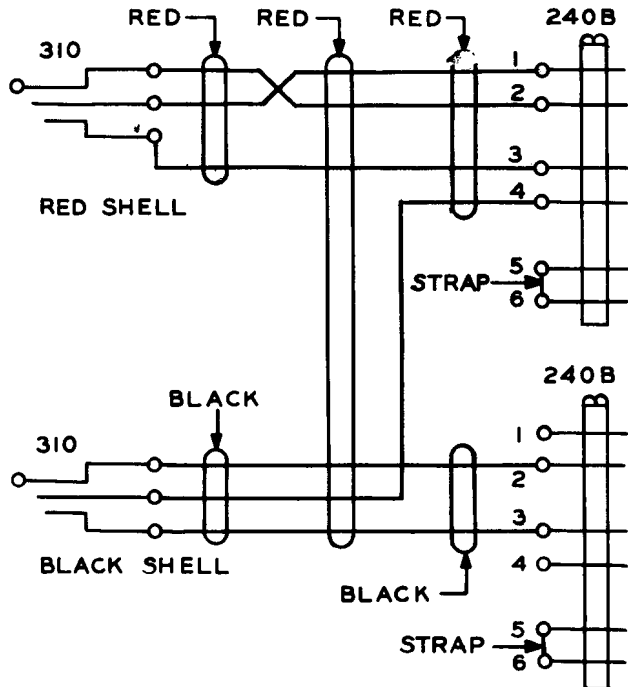
- 2 P3H cords, 10 feet long, equipped with:
  - 1 310 plug (with red shell)
  - 1 310 plug (with black shell)
  - 1 240G plug



Res 0.21  $\Omega$ /ft

**6P6A**

- 1 P6B cord, 11 feet long, equipped with:
  - 1 310 plug (with red shell)
  - 1 310 plug (with black shell)
  - 2 240B plugs



Res 0.21  $\Omega$ /ft

**6P7A**

- 1 P6Y cord, 3 feet long, equipped with:
  - 2 425A plugs

**6P7B**

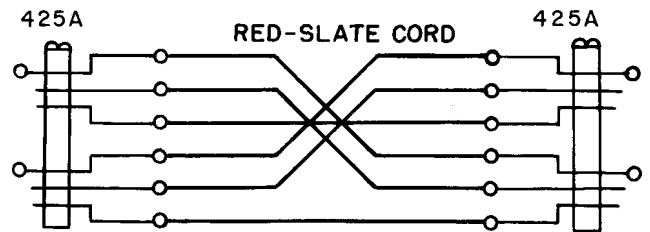
- 1 P6Y cord, 5 feet long, equipped with:
  - 2 425A plugs

**6P7C**

- 1 P6Y cord, 7 feet long, equipped with:
  - 2 425A plugs

**6P7D**

- 1 P6Y cord, 9 feet long, equipped with:
  - 2 425A plugs



Res 0.28  $\Omega$ /ft

**6P8A**

- 1 P6Y cord, 6 feet long, equipped with:
  - 2 425A plugs

**6P8B**

- 1 P6Y cord, 10 feet long, equipped with:
  - 2 425A plugs

**SECTION 032-316-102**

**6P8C**

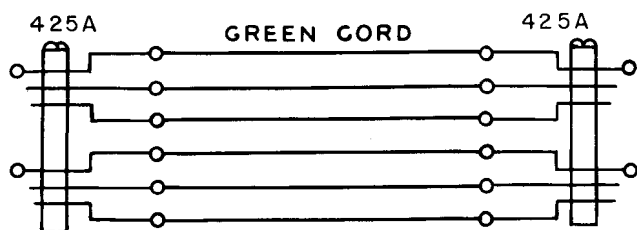
1 P6Y cord, 15 feet long, equipped with:  
2 425A plugs

**6P8D**

1 P6Y cord, 20 feet long, equipped with:  
2 425A plugs

**6P8E**

1 P6Y cord, 25 feet long, equipped with:  
2 425A plugs



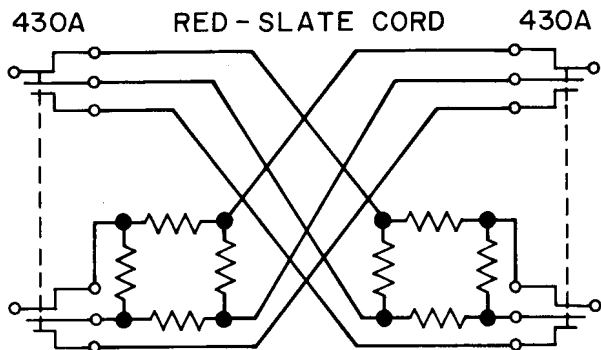
Res 0.28  $\Omega$ /ft

**6P9A—MFR DISC.**

No replacement.

**6P9B**

1 P6M cord, 15 feet long, equipped with:  
2 430A plugs



Res 0.17  $\Omega$ /ft

The 6P9B cord includes one 17-dB pad in each tip and ring circuit.

**6P9C—MFR DISC.**

No replacement.

**6P9D—MFR DISC.**

No replacement.

**6P10A**

1 P6N cord, 10 feet long, equipped with:  
2 430A plugs

**6P10B**

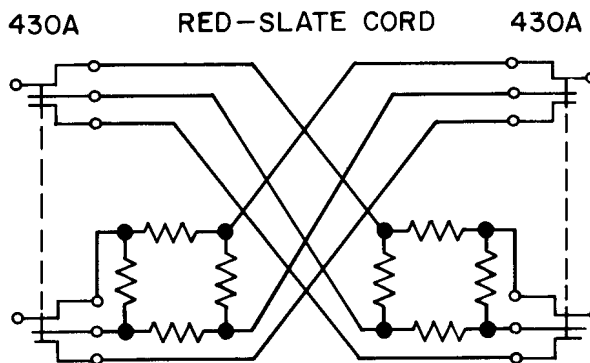
1 P6N cord, 15 feet long, equipped with:  
2 430A plugs

**6P10C**

1 P6N cord, 20 feet long, equipped with:  
2 430A plugs

**6P10D**

1 P6N cord, 25 feet long, equipped with:  
2 430A plugs

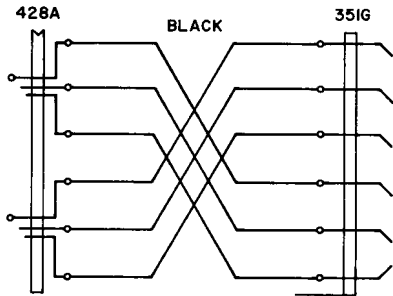


Res 0.17  $\Omega$ /ft

The 6P10A, 6P10B, 6P10C, and 6P10D cords include one 23-dB pad in each tip and ring circuit.

6P11A

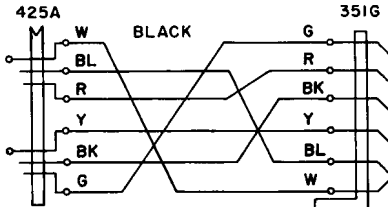
1 P6K cord, 7 feet long, equipped with:  
1 428A plug  
1 351G plug



Res 0.21 Ω/ft

6P12A

1 P6K cord, 7 feet long, equipped with:  
1 425A plug  
1 351G plug



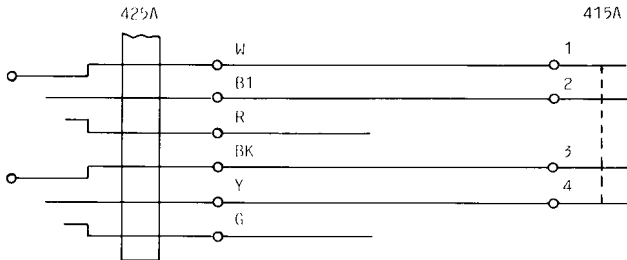
Res 0.21 Ω/ft

6P15A

1 P6AE cord, 10 feet long, equipped with:  
1 425A plug  
1 415A plug

6P15B

1 P6AE cord, 20 feet long, equipped with:  
1 425A plug  
1 415A plug



Res 0.21 Ω /ft