

PATCHING CORD ASSEMBLIES
6-CONDUCTOR CORDS
P6B THROUGH P6AF
DESCRIPTION

CONTENTS	PAGE
1. GENERAL	1
2. DESCRIPTION OF CORDS	1
Figures	
1. P6B Cord	2
2. P6J Cord	2
3. P6K Cord	2
4. P6M Cord	2
5. P6N Cord	3
6. P6R Cord	3
7. P6S Cord	3
8. P6T Cord	3
9. P6Y Cord	4
10. P6AA Cord	4
11. P6AC Cord	5
12. P6AD Cord	6
13. P6AE Cord	7
14. P6AF Cord	7

1. GENERAL

1.01 This section lists and illustrates the coded 6-conductor patching cord assemblies.

1.02 Revision arrows are used to emphasize significant changes. The reasons for reissue are listed below.

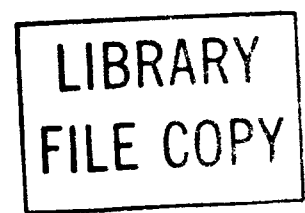
- (a) To change the title to include the P6AF cord.
- (b) To rate the P6W cord Mfr Disc.
- (c) To add the P6AF cord.
- (d) To revise the P6AA cord description.

1.03 The following is a list of cords that have been Mfr Disc. with their replacements.

Cord	Replacement
P6D	P6S
P6H	P6T
P6L	P6Y
P6P	—
P6W	—

2. DESCRIPTION OF CORDS

NOTICE
Not for use or disclosure outside the
Bell System except under written agreement



2.01 P6B: The P6B cord (Fig. 1) includes six 107 cord tips, two 121 cord tips, and two 120 cord tips. The cord is intended for patching a test circuit to a line finder in Step-by-Step Telephone Systems. The P6B cord is 11 feet long and has a resistance of 0.21 ohm per foot.

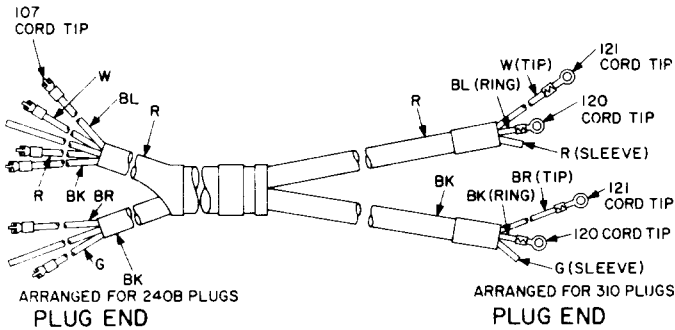


Fig. 1—P6B Cord

2.02 P6J: The P6J cord (Fig. 2) includes two 425A plugs. The cord is intended for use with the 19A toll test board and 5A test unit associated with the 4-wire No. 5 Crossbar System. The tip, ring, and sleeve of the finger nearest the notched side of the plug at plug end A are connected to the tip, ring, and sleeve, respectively, of the finger nearest the notched side of the plug at plug end B. The tip, ring, and sleeve of the other finger at plug end A are connected to the tip, ring, and sleeve, respectively, of the other finger at plug end B. The P6J cord may be obtained in 3 or 6 feet lengths (the length required must be specified) and has a resistance of 0.18 ohm per foot.

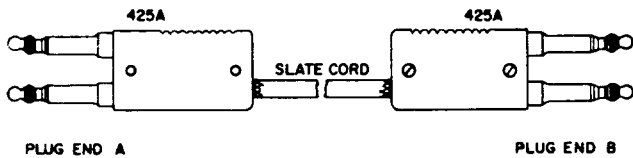


Fig. 2—P6J Cord

2.03 P6K: The P6K cord (Fig. 3) includes two 140 cord tips, four 133 cord tips, and six special cord tips. Plug end A is arranged for a 428A plug. The shanks of the cord tips on the ring conductors are insulated. When ordered equipped with a plug, the white, blue, and red conductors will be connected to the finger on the notched side of the plug and the yellow, black, and green conductors will be connected to the other finger. Plug end B is arranged for a 351G plug. The shanks of the cord tips are insulated. When ordered equipped with a plug, the conductors will be connected to the springs of the plug in the order red, blue, white, green, black, and yellow from the handle. The cord is intended for use with the SD-65827-01 test circuit for testing register sender and sender link circuits. The P6K cord is 7 feet long and has a resistance of 0.21 ohm per foot. When specified, the cord may be ordered equipped with one 428A plug and one 351G plug.

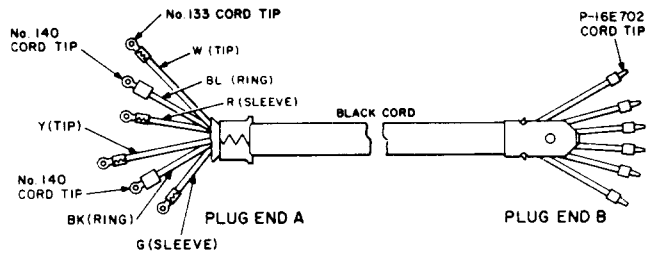


Fig. 3—P6K Cord

2.04 P6M: The P6M cord (Fig. 4) is equipped with a 17 dB electrical pad at each end in the tip and ring circuit. Both ends are arranged for 430A plugs. The cord was initially intended for use as part of the 6P9A, B, and C cords. The P6M cord is 15 feet long and has a resistance of 0.017 ohm per foot.

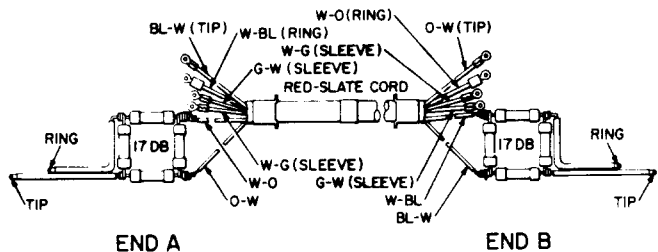


Fig. 4—P6M Cord

2.05 P6N: The P6N cord (Fig. 5) is equipped with 23 dB electrical pads at each end in the tip and ring circuit. Both ends are arranged for 430A plugs. The cord was initially intended for use as part of the 6P10A, B, C, and D cords. The P6N cord is 15 feet long (10-, 20-, and 25-foot cords can be obtained when specified) and has a resistance of 0.017 ohm per foot.

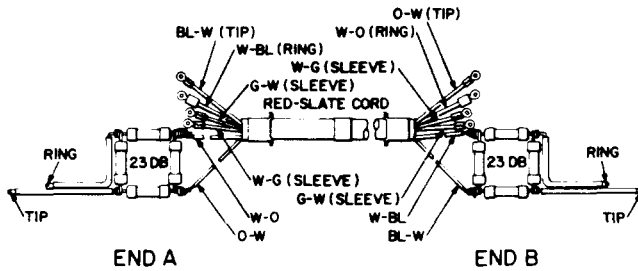


Fig. 5—P6N Cord

2.06 P6R: The P6R cord (Fig. 6) includes one 428A plug and one 459B plug. The cord is intended for use with the miniature crossbar switch. The P6R cord is 7 feet long and has a resistance of 0.42 ohm per foot.

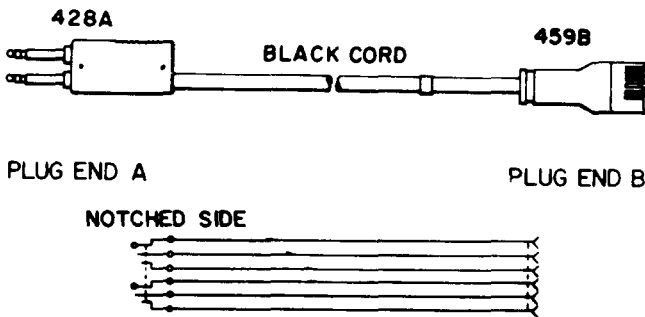


Fig. 6—P6R Cord

2.07 P6S: The P6S cord (Fig. 7) includes two 371C plugs. The cord is intended for use in toll switching PBXs and replaces the P6D cord. The P6S cord may be obtained in 6- or 8-foot lengths (unless otherwise specified, 6-foot length shall be furnished) and has a resistance of 0.28 ohm per foot.

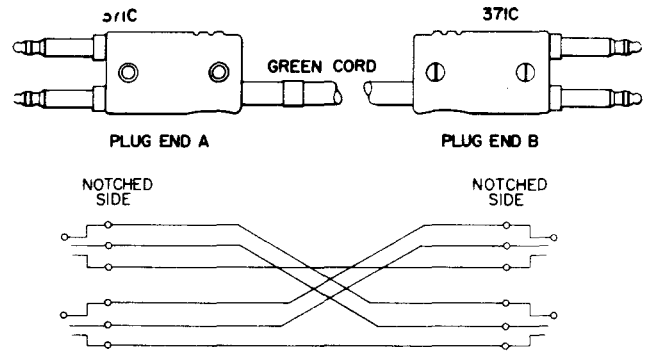


Fig. 7—P6S Cord

2.08 P6T: The P6T cord (Fig. 8) replaces the P6H cord. The P6T cord includes two 371C plugs. The cord was initially intended for use with the 19A toll test board with 4-wire. The tip, ring, and sleeve of the finger nearest the notched side of the plug at plug end A are connected to the tip, ring, and sleeve, respectively, of the finger nearest the notched side of the plug at plug end B. The tip, ring, and sleeve, of the other finger at plug end A are connected to the tip, ring, and sleeve, respectively, of the other finger at plug end B. The P6T cord may be obtained in lengths of 2, 4, and 8 feet (unless otherwise specified, a 2-foot length shall be furnished) and has a resistance of 0.28 ohm per foot.

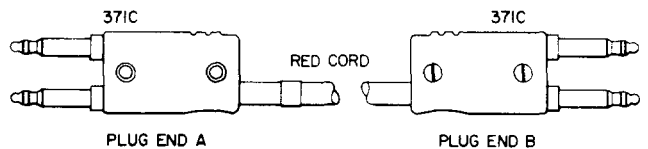


Fig. 8—P6T Cord

2.09 P6Y: The P6Y cord (Fig. 9) consists of six P16E891 cord tips on each end arranged for a 425A plug. The cord is intended for use with the 6P8A, B, C, D, and E cords. The P6Y cord has a resistance of 0.28 ohm per foot and may be obtained in lengths and colors as shown below. Unless otherwise specified, the 5-foot red-slate cord will be furnished.

Length	Braid Color
1 foot	Slate
3 feet	Slate, Red-Slate
5 feet	Red-Slate
6 feet	Slate, Green
7 feet	Red-Slate
8 feet	Slate
9 feet	Red-Slate
10 feet	Green
15 feet	Green
20 feet	Green
25 feet	Green

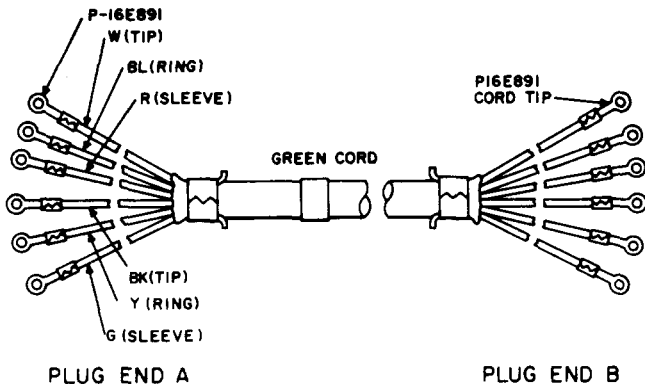


Fig. 9—P6Y Cord

2.10 **P6AA:** The P6AA cord (Fig. 10) includes one 425A plug and two 310 plugs, one with a red shell and one with a black shell. The 310 plugs terminate on the two shielded cables which form 18-inch long cord arms. The cable wired to the red shell 310 plug connects to the plug finger on the notched side of the 474A plug, and the cable wired to the black shell 310 plug connects to the other 474A plug finger.

Connections are tip-to-tip, ring-to-ring, and sleeve-to-sleeve with shields connected to the sleeves. The cord was initially intended for use in the D3 channel bank. The P6AA cord has a resistance of 0.05 ohm per foot and may be obtained in lengths of 6 feet 6 inches or 10 feet 6 inches and 12 feet (unless otherwise specified, the 6-foot 6-inch length shall be furnished).

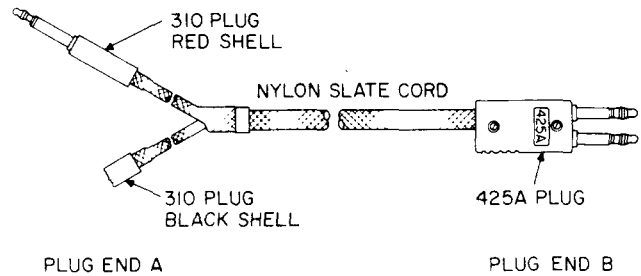
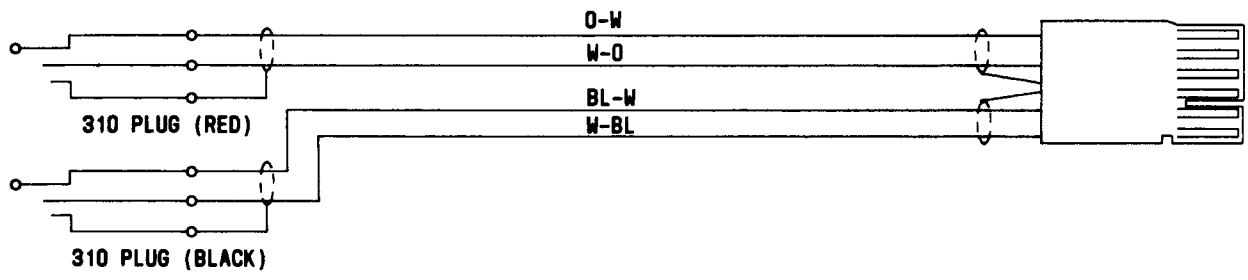
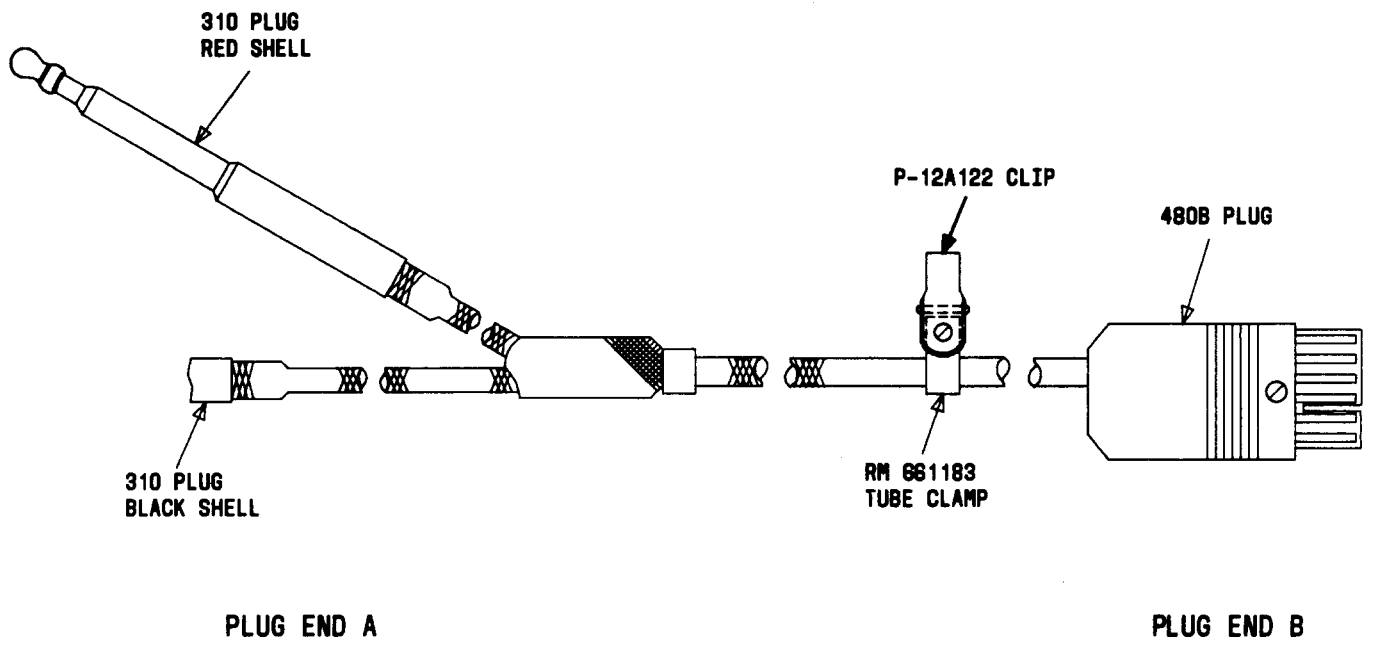


Fig. 10—P6AA Cord

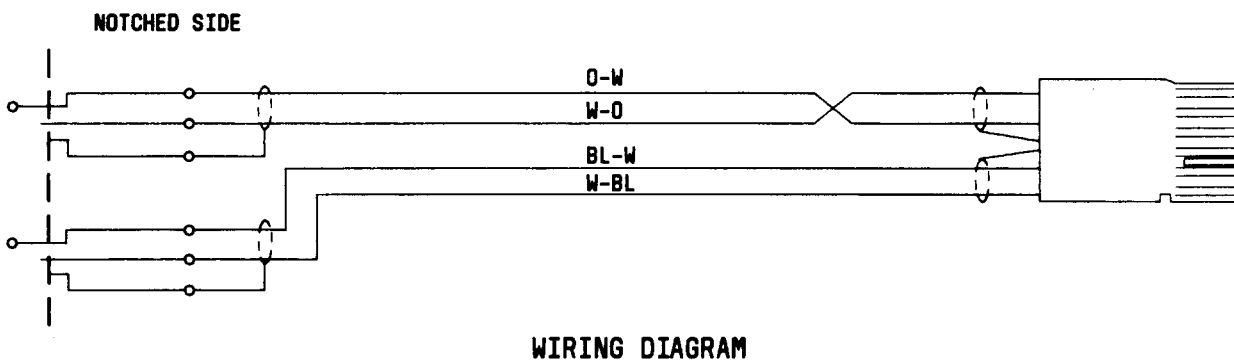
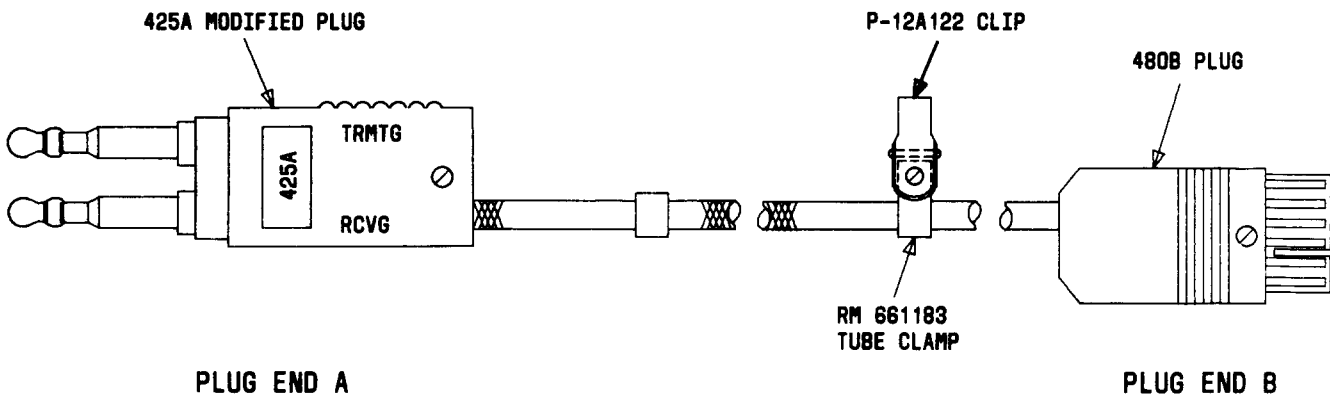
2.11 **P6AC:** The P6AC cord (Fig. 11) consists of two 310 plugs on plug end A, one with a red shell and the other with a black shell and a 480A plug on plug end B. The 310 plugs terminate on two shielded cables which form 18-inch long cord arms. The cord has a slate nylon braid cover containing two shielded pairs of 27 American Wire Gauge (AWG) stranded wire. The cord is intended for use on testing the D4 channel bank. The P6AC cord can be obtained in 6 and 12 feet lengths (the length of the cord must be specified in the order) and has a resistance of 0.05 ohm per foot.

2.12 **P6AD:** The P6AD cord (Fig. 12) has a slate, nylon braided cover containing two shielded pairs of 27 AWG stranded wire. The cord includes a 474A plug on end A and a 480B plug on end B. The cord is intended for use in testing the D4 channel bank. The P6AD cord can be obtained in lengths of 6 and 12 feet (length of the cord must be specified in the order) and has a resistance of 0.05 ohm per foot.



WIRING DIAGRAM

◆ Fig. 11 — P6AC Cord ◆



◆ Fig. 12—P6AD Cord ◆

2.13 P6AE: The P6AE cord (Fig. 13) is a slate, nylon braided cord consisting of six tinsel conductors with vinyl insulation. Plug end A is arranged for a 425A plug and plug end B is arranged for a 415A plug. Plug end B also has two 6-inch long free conductors which break out of the cord body adjacent to where the 415A plug attaches. Each of the free conductors is terminated with a Mueller Electric No. 30 clip encased in a Mueller No. 32 insulator. The cord is intended for use with the 6P15A and 6P15B cords

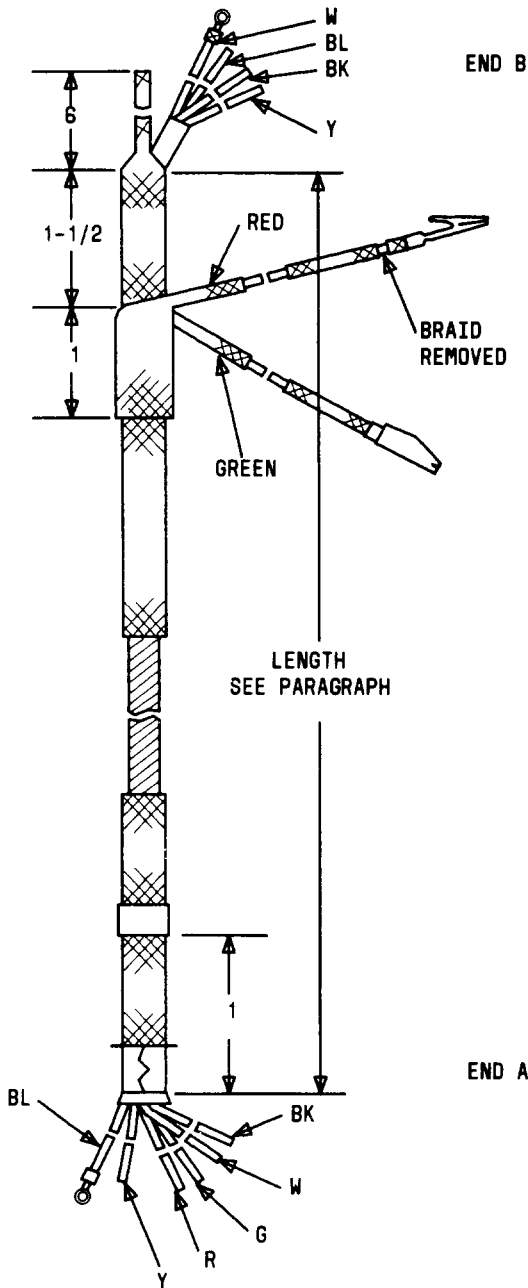


Fig. 13—P6AE Cord

required for the No. 4 Electronic Switching System (ESS) Toll Switching System. The P6AE cord can be obtained in lengths of 10 feet and 20 feet (length of the cord must be specified in the order) and has a resistance of 0.21 ohm per foot.

2.14 P6AF: The P6AF cord (Fig. 14) consists of two vinyl jacketed cables each having a twisted pair of polyethylene insulated 22 AWG stranded wire conductors encased in a tinned copper wire braided shield. Each end of the cord is equipped with a 474A plug. The cord is intended for use in PICTUREPHONE* meeting service. The P6AF cord is 6 feet long and has a resistance of 0.017 ohm per foot.

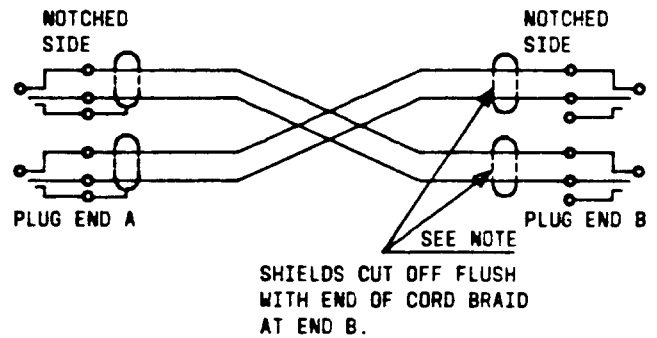


Fig. 14—P6AF Cord

*Trademark of AT&T Co.