

TESTING CORD ASSEMBLIES

CORDS HAVING MORE THAN SIX CONDUCTORS

W17A THROUGH W23B

DESCRIPTION

1. GENERAL

1.01 This section lists and illustrates the W17A through W23B cords.

1.02 This section is reissued to:

- Update the format
- Rate the W20H and W21B cords Mfr Disc.

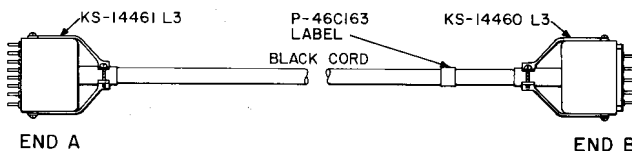
Revision arrows are used to emphasize the more significant changes. The Equipment Test List is not affected.

1.03 For general information on these cords, refer to Section 032-317-100.

2. DESCRIPTION OF CORDS

W17A

8 feet long



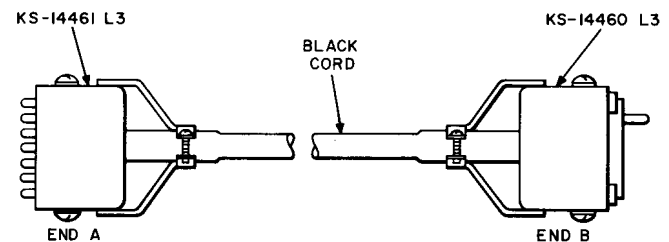
Res 0.017 Ω /ft

The W17A cord includes one KS-14461, L3, plug and one KS-14460, L3, plug. At end A, there are no connections to terminals 6, 7, 10, and 13. At end B, terminals 6, 7, 10, and 13 are strapped together and the shield conductor is terminated at terminal 13. Other terminals of one plug are connected to the corresponding numbered terminals of the other plug. The cord was initially intended for use with the J98703MC band regulation filter in the N Carrier System.

W18B—MFR DISC.

W20A

2 feet long



Res 0.017 Ω /ft

The W20A cord includes one KS-14461, L3, plug (20 contacts) and one KS-14460, L3, plug (20 contacts). The terminals of one plug are connected to the corresponding numbered terminals of the other plug. The cord was initially intended for use with the J94002L channel unit test set in testing N Carrier Channel Units.

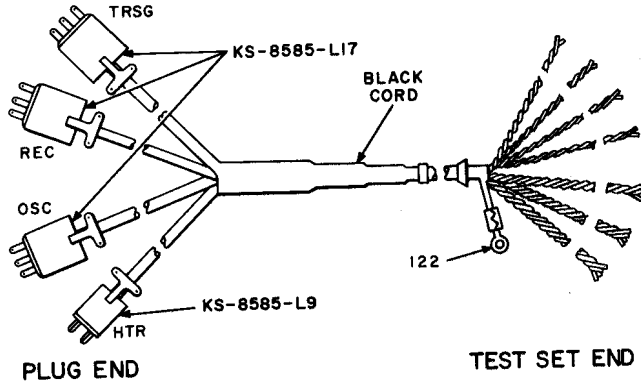
NOTICE

Not for use or disclosure outside the
Bell System except under written agreement

SECTION 032-317-133

W20B

6 feet long



Res 0.017 Ω /ft

The W20B cord includes three KS-8585, L7, plugs (six terminals), designated TRSG, REC, and OSC; one KS-8585, L9, plug (four terminals) designated HTR; one 122 cord tip; six KS-13490, L1, 4700-ohm resistors; and two KS-13490, L1, 2200-ohm resistors. The free conductors are 10 inches long. Conductor grouping and terminations are as follows:

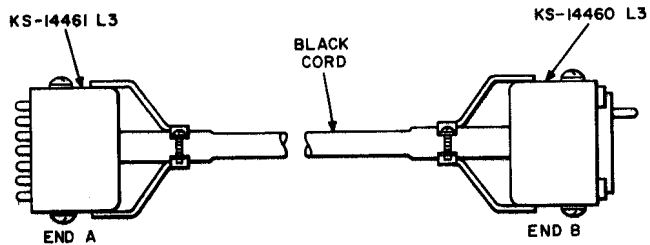
COND	TERM NO.	PLUG	
Black	(a) 1	TRSG	
Red			2
Black			3
White	(a) 4		
White			5
Red			6
Red	2	REC	
Blue	5	OSC	
Blue	(a) 3	REC	
Green			4
Black			(c) 5
Yellow	(c) 6		
Red	1	OSC	
White	(a) 2		
Black	3		
Yellow	(a) 4	HTR	
Red			1
Green			2
White	3		
Blue	(b) 4		

- (a) Has a 4700-ohm resistor in series with the conductor and the terminal indicated.
- (b) The blue conductor connected to terminal 4 of plug HTR is dead ended at test set end.
- (c) Has a 2200-ohm resistor in series with the conductor and the terminal indicated.

The cord was initially intended for use with the J94002K tube test set in testing N Carrier Group Units.

W20C

6 feet long

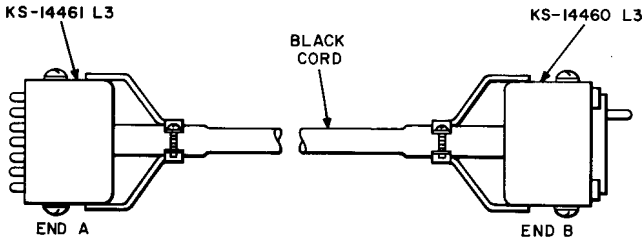


Res 0.017 Ω /ft

The W20C cord includes two twisted pairs, two twisted quads, two shielded twisted quads, one KS-14461, L3, plug (20 contacts), and one KS-14460, L3, plug (20 contacts). The marking on the plug at end A is REG REP. The terminals of one plug are connected to the corresponding numbered terminals of the other plug. The shields are not terminated. The cord was initially intended for use with the J94002M repeater switching set in the N1 Carrier Telephone System.

W20D

10 feet long



Res 0.017 Ω/ft

The W20D cord includes two twisted pairs, two twisted quads, two shielded twisted quads, one KS-14461, L3, plug (20 contacts), and one KS-14460, L3, plug (20 contacts). The marking on the plug at end A is REG REP GRP. The terminals of one plug are connected to the corresponding numbered terminals of the other plug. The shields terminate with the black conductor on terminal 2 of both plugs. The cord was initially intended for use with the J94002N group unit switching set in the N1 Carrier Telephone System.

The W20E cord includes one KS-14460, L3, plug (20 contacts) and one 45 cord tip. The free conductors are 8 inches long. The conductors are connected to the plug as follows:

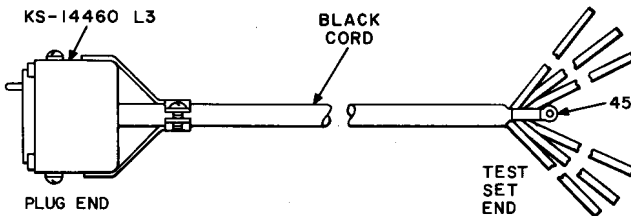
CONDUCTOR	PLUG TERM. NO.	CONDUCTOR	PLUG TERM. NO.
Black	2	Black	9
White		Blue	
	19	Green	12
		Yellow	
Black	13	Black	0
Red		Blue	
	16	Red	(*) 4
		Yellow	3
Black	5	Red	14
Red		Blue	
Yellow	8	Green	(*) 15
White		6	White

(*) Shielded quad. The shield is connected to terminal 2.

The cord was initially intended for use with the J94002N group unit switching set in the N1 Carrier Telephone System.

W20E

10 feet long

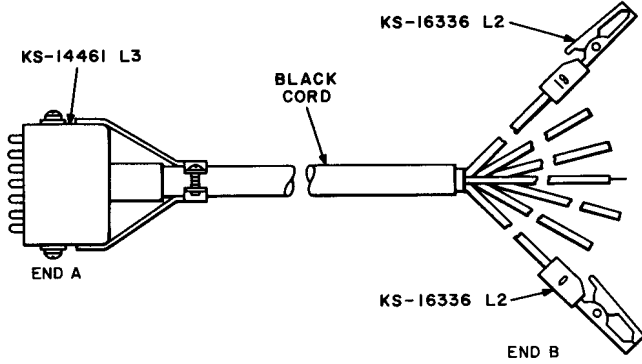


Res 0.017 Ω/ft

SECTION 032-317-133

W20F

19 feet long



Res 0.017 Ω /ft

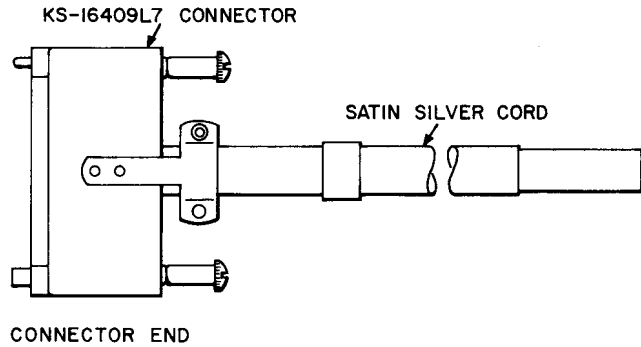
The W20F cord includes one KS-14461, L3 plug (20 contacts) and twenty KS-16336, L2 clips, numbered 0 through 19. The free conductors are approximately 6 feet long between the cordage and the clips. The clips are connected to the corresponding numbered terminals of the plug. The cord was initially intended for use with traffic recorder equipment for connection to terminals on distributing frame with the No. 1 portable traffic usage recorder and with types A and B traffic measuring sets.

W20H—MFR DISC.

No replacement.

W20J

8 feet long



Res 0.05 Ω /ft

The W20J cord includes one KS-16409, L7, connector on one end. The other end is unequipped, but has 5-inch unfinished free conductors. Conductor terminations are as follows:

COLOR	TERM.	COLOR	TERM.
BL-W	A	BR-Y	M
W-BL	B	Y-BR	N
O-W	C	BR-V	P
W-O	D	V-BR	R
G-W	E	BL-R	S
W-G	F	BR-R	T
S-W	H	O-BK	U
W-S	J	S-BK	V
G-R	K	BK-BL	W
R-G	L	V-G	X

The cord was initially intended for use with the J67477A and B trunk test sets.

W21A—MFR DISC.

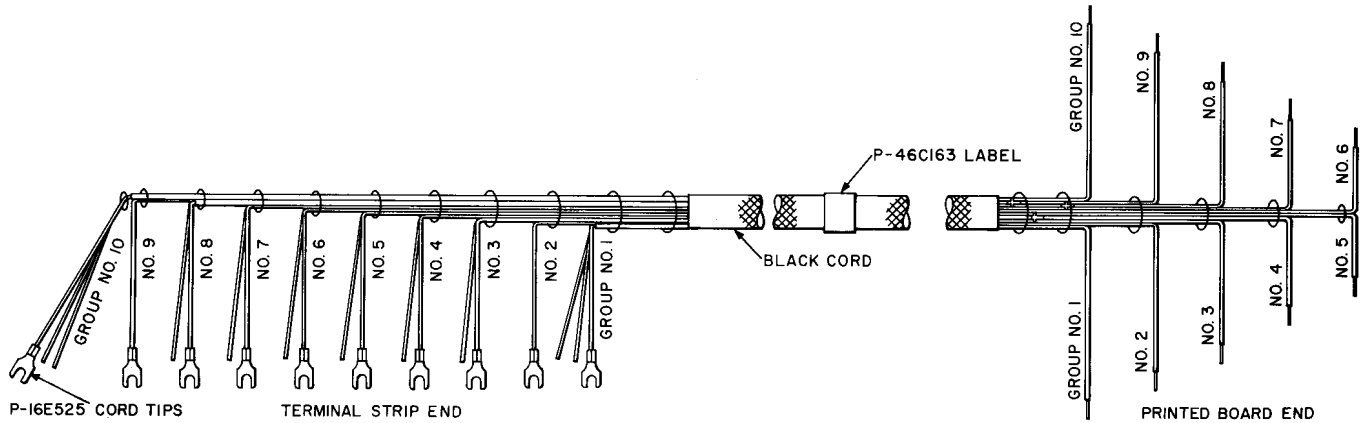
Replaced by the W21B cord.

W21B—MFR DISC.

No replacement.

W21C

10 feet long



Res 0.027 Ω/ft

The W21C cord includes twenty P-16E525 cord tips at the terminal strip end while the printed board end is finished in free conductors. The cord consists of fourteen 24 AWG stranded TFE (Teflon) insulated conductors and three PVC jacketed cables having a shielded pair of solid conductors insulated with TFE. Conductors are grouped as follows:

TERM. STRIP GRP NO.	CONDUCTOR COLOR	PRINTED BOARD GRP NO.	TERM. STRIP GRP NO.	CONDUCTOR COLOR	PRINTED BOARD GRP NO.
1	Shielded Pair White Jacket	1	7	BK	7
1	G	1	7	W-BK	7
2	W-G	2		*BK-Shield Connection	7
3	S	3	8	Shielded Pair Yellow Jacket	8
3	BR	3		W-Y	9
4	W-S	4	9	Shielded Pair Brown Jacket	10
4	W	4	10	W-R	10
5	Y	5			
5	W-BL	5			
6	R	6			
6	W-BR	6			

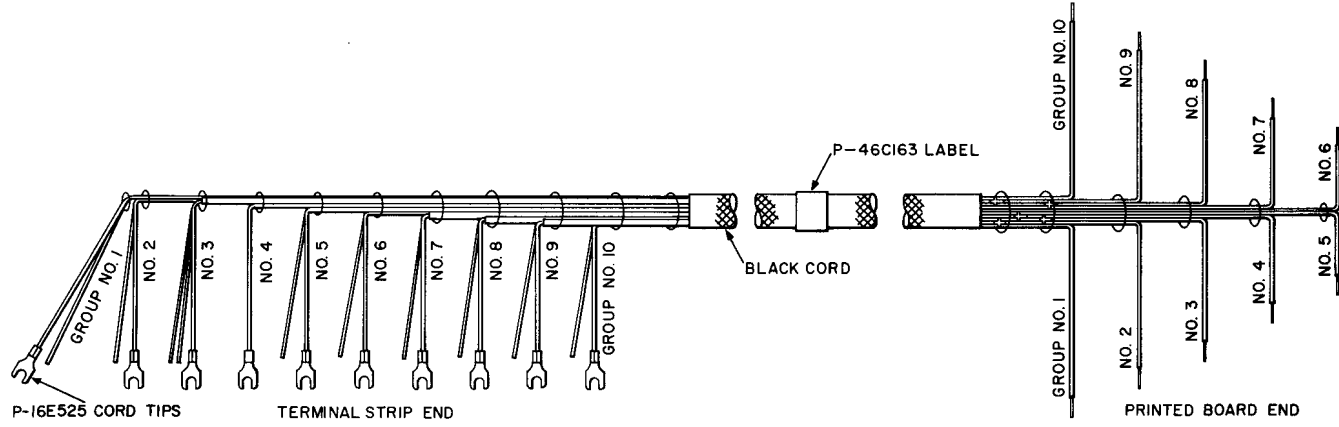
The cord was initially intended to be used in maintenance of the N3 carrier terminal test stand (J99300AW).

*The three shields terminate in a black ground wire that breaks out at group 7 of the printed wiring board end.

SECTION 032-317-133

W21D

10 feet long



Res 0.027 Ω /ft

The W21D cord includes twenty P-16E525 cord tips at the terminal strip end while the printed board end is finished in free conductors. The cord consists of twelve 24 AWG stranded TFE (Teflon) insulated conductors, three PVC jacketed cables having a shielded pair of TFE insulated conductors, and two PVC jacketed shielded conductors insulated with TFE. Both ends are finished into ten groups of conductors. Conductors are grouped as follows:

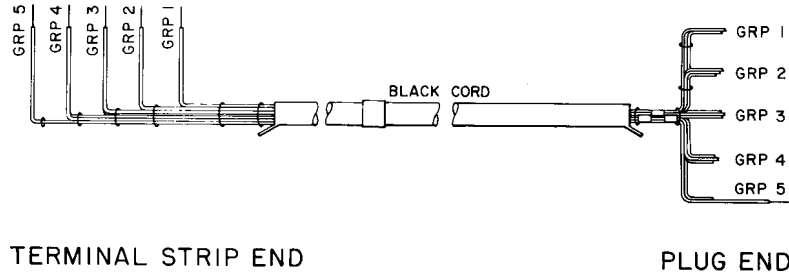
TERM. STRIP GRP NO.	CONDUCTOR COLOR	PRINTED BOARD GRP NO.	TERM. STRIP GRP NO.	CONDUCTOR COLOR	PRINTED BOARD GRP NO.
1	BL	1	7	BK	7
1	O	1	7	BL-Shielded	7
2	G	2		Conductor	
2	BR	2		*BK-Shield	7
3	Shielded Pair	3		Connection	
	White Jacket		8	Shielded Pair	8
3	V-Shielded	3		Yellow Jacket	
	Conductors		9	Shielded Pair	9
4	S	4		Brown Jacket	
5	W	5	10	W-BL	10
5	Y	5	10	W-G	10
6	R	6			
6	W-BK	6			

The cord was initially intended for use on the N3 Carrier Terminal Test Stand (J99300AW).

*The three shields terminate in a black ground wire that breaks out at group 7 of the printed wiring board end.

W23A

11 feet 6 inches long



Res 0.027 Ω/ft

The W23A cord contains fourteen 24 AWG stranded copper wire conductors having vinyl insulation and three shielded pair cables. Both ends are finished in free conductors. Conductors are grouped as follows:

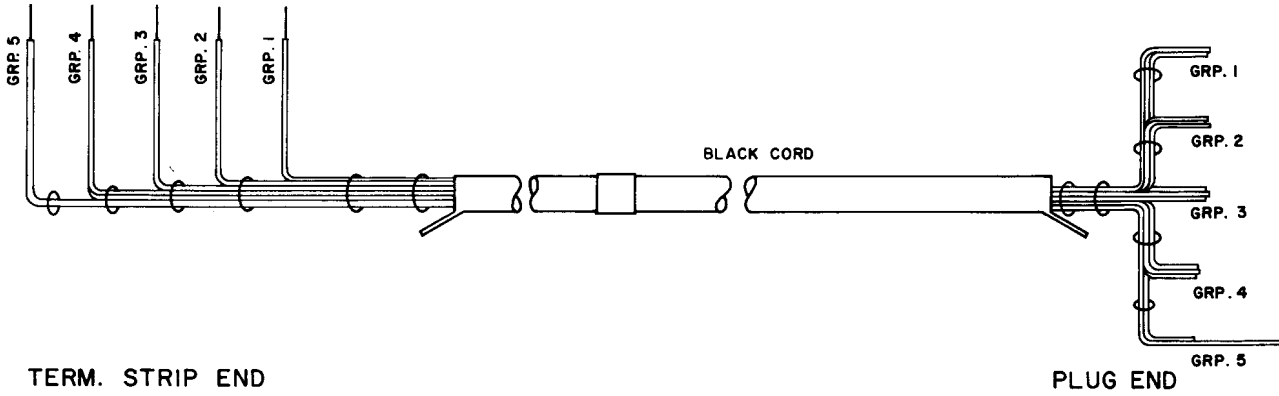
TERM. STRIP GROUP NO.	CONDUCTOR COLOR	PLUG GROUP NO.	TERM. STRIP GROUP NO.	CONDUCTOR COLOR	PLUG GROUP NO.
1	Shield	BK	1	W	3
1	Connections of Shielded Pairs	BK	1	W-BL	3
1		BK	5	Shielded Pair (Yellow Jacket)	3
1	BK	1	3	W	4
1	W-BK	1	2	R	4
2	W-Y	1	2	BR	4
2	Shielded Pair (White Jacket)	W	3	S	4
3		BL	5	Shielded Pair (Brown Jacket)	5
3	W-R	2	4	W-G	5
4	W-S	2	4	G	5
4	W-BR	2	5		
5	Y	3			

The cord was initially intended for use with the J99272AH Test Stand for the N2 Carrier Terminal.

SECTION 032-317-133

W23B

11 feet 6 inches long



Res 0.027 Ω /ft

The W23B cord contains sixteen 24-gauge copper wire conductors having vinyl insulation, two single-conductor shielded cables, and one shielded pair cable. Both ends of the cord are finished into five groups of conductors whose ends are prepared for soldering. Conductors are grouped as follows:

TERM. STRIP GROUP NO.	CONDUCTOR COLOR	PLUG GROUP NO.	TERM. STRIP GROUP NO.	CONDUCTOR COLOR	PLUG GROUP NO.
5	G	1	4	BK	4
5	W-G	1	4	BK Shield Conn of	4
4	S	1	4	Shielded Pair	
4	BR	1	4	BK Shield Conn of	4
3	O	2	4	Shielded Cond #2	
3	W-G	2	4	R	4
2	Translucent Shielded Cond #1	2	3	Translucent Shielded Cond #2	4
2	W-BK	2	3	W	4
1	BK	3		W Cond of	5
1	BK Shield Conn of	3		Shielded Pair	
1	BK Shielded Cond #1	3	2	W-Y	5
1	W-BL	3	1	BL Cond of	5
5	Y	3	1	Shielded Pair	
5	W-BK	3	1	W-R	5

The cord was initially intended for use with the J99272AH Test Stand for the N2 Carrier Terminal.