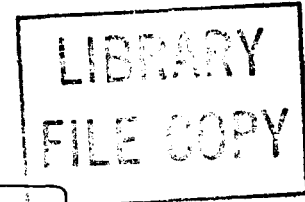


CODED PLUGS—475 THROUGH 499

DESCRIPTION



1. GENERAL

1.01 This section lists and illustrates coded plugs within the part or type number range of 475 through 499, used for maintenance and operation of equipment in central offices.

1.02 The information provided in this section was previously shown in Section 032-510-101, Issue 11. In addition, the following plugs are being added. The Equipment Test List is not affected.

- (a) 480A and B
- (b) 481-Type
- (c) 488BC1-1 and 488BR1-1

2. DESCRIPTION OF PLUGS

2.01 476A: The 476A plug (Fig. 1) consists of a body, cap, and terminal assembly. The 476A plug functions as a shorting plug to be plugged into the face plate of the 806A and B tools. This plug is used for performance testing of the M13 Frame.



Fig. 1—476A Plug

NOTICE

Not for use or disclosure outside the
Bell System except under written agreement

2.02 477A: The 477A plug (Fig. 2) is provided with two-pin terminals at one end, and arranged for an L2AL cord at the other end. This plug is used with the 1027A headset.

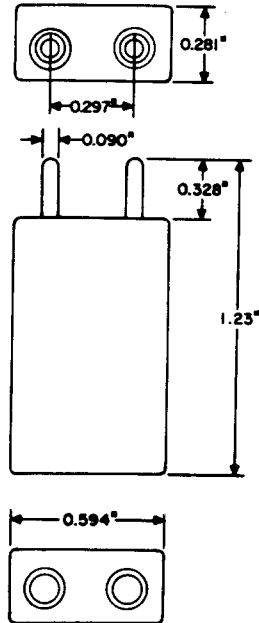


Fig. 2—477A Plug

2.03 478A-Type: The 478A-type plugs (Fig. 3) are twin, double-conductor type, with a shell of insulating material. These plugs are used with modular equipment and have two 616P miniature jacks and a 100-ohm, 1-watt resistor.

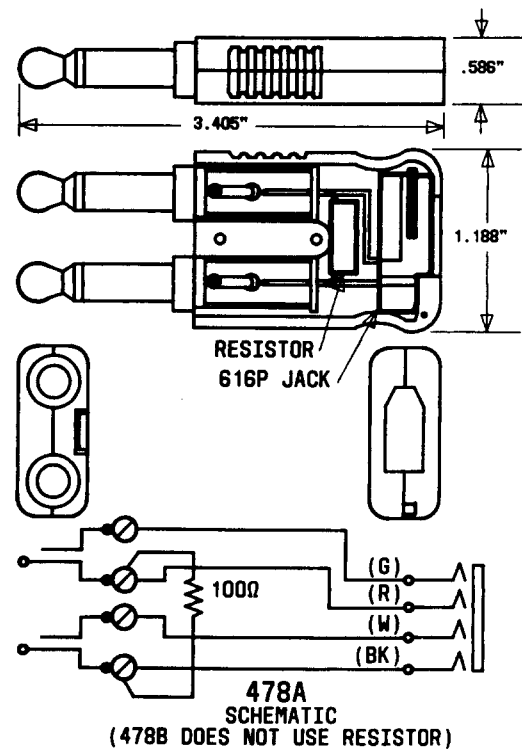


Fig. 3—478A-Type or 478B Plug

- (a) **478A-3:** The 478A-3 plug is black in color.
- (b) **478A-50:** The 478A-50 plug is ivory in color.
- (c) **478A-58:** The 478A-58 plug is white in color.

2.04 478B-50: The 478B-50 plug (Fig. 3) is a twin, double-conductor type, with a shell of insulating material. Each plug finger may be turned 90 degrees in the shell to present a new surface for wear. The 478B-50 plug is available in ivory only, and is used with the A-type attendant consoles and the 2152 COM KEY® Key Telephone System.

2.05 479A: The 479A plug (Fig. 4) is a twin-through type, consisting of two modified 436A plugs connected by a 728A cable mounted on a red nylon plate. The 479A plug replaces the 518A plug and is used on the L5 Carrier System.

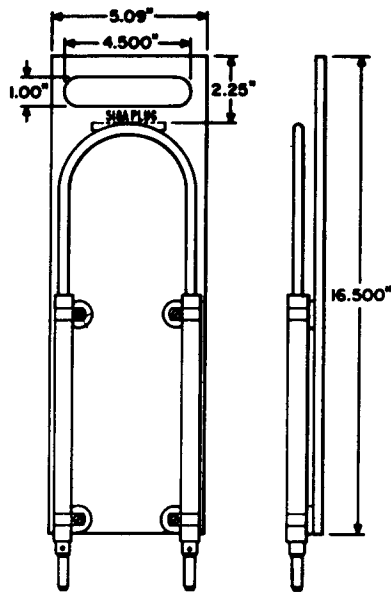


Fig. 4—479A Plug

2.06 480A and B: The 480A and B (Fig. 5) are polarized type plugs, consisting of twelve contacts on a printed wiring board, two plastic covers, a strain relief arrangement, and associated hardware. The 480A and B plugs are used in D4 Channel Banks.

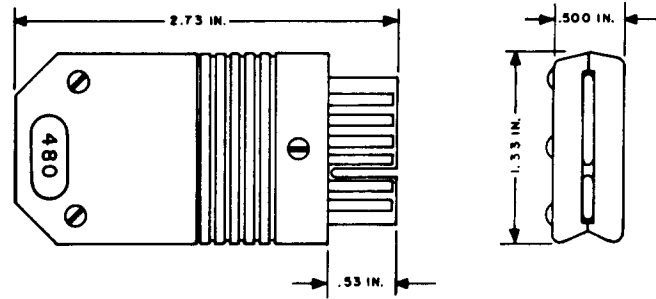


Fig. 5—480A or B Plug

- (a) **480A:** The 480A plug bears a stamp designation SIG.
- (b) **480B:** The 480B plug bears a stamp designation VOICE.

2.07 481-Type: The 481-type plugs (Fig. 6) consist of a plug case, a plug cable assembly, and a plug body assembly. The 481-type plugs have low profile 75-ohm patch plugs with a flair flanged out to firmly lock the terminals to the plug bodies. The 481-type plugs are used in the 500-type Protection Switching System.

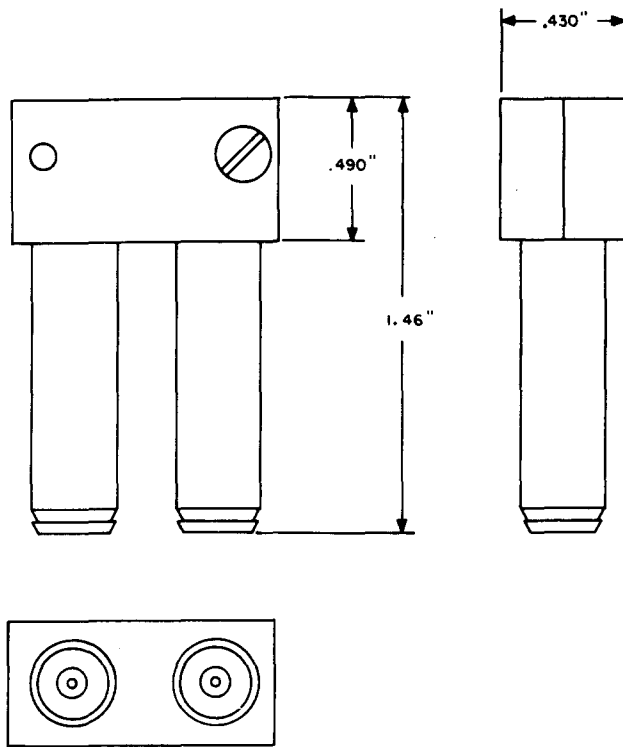


Fig. 6—481-Type Plug

- (a) **481A:** The 481A plug is 0.940 inch wide.
- (b) **481B:** The 481B plug is 1.190 inches wide.
- (c) **481C:** The 481C plug is 1.440 inches wide.
- (d) **481D:** The 481D plug is 1.740 inches wide.
- (e) **481E:** The 481E plug is 1.940 inches wide.
- (f) **481F:** The 481F plug is 2.340 inches wide.
- (g) **481G:** The 481G plug is 2.940 inches wide.

2.08 488BC1-1 and 488BR1-1: The 488BC1-1 and 488BR1-1 plugs are used to patch the feeder-in field to the feeder-out field in the Rural Area Interface. The 488BC1-1 and 488BR1-1 plugs are capable of terminating the 88-type connecting blocks. These plugs have two metallic test points which can be contacted, using the AT-8662D test cord. The 488BR1-1 plug is red in color to identify special circuits.