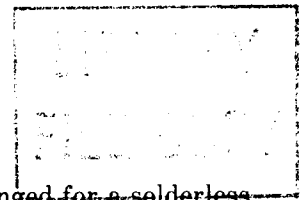


CODED JACKS--575 THROUGH 599

DESCRIPTION



1. GENERAL

1.01 This section lists and illustrates coded jacks within the part or type number range of 575 through 599, used for the maintenance and operation of equipment in central offices.

1.02 The information provided in this section was previously shown in Section 032-511-101, Issue 3.

Other changes and/or additions are as follows. The Equipment Test List is not affected.

- (1) The 580E, 582A, 582E, 584A, and 584E jacks are added
- (2) The 576A jack is rated Mfr Disc. and is replaced by the 560A jack.

2. DESCRIPTION OF CODED JACKS

2.01 **575A, B, and C:** These are coaxial type jacks (Fig. 1).

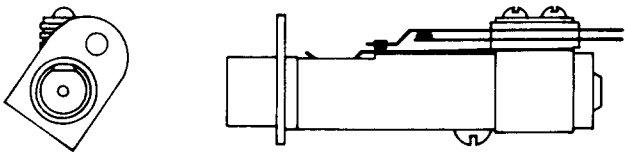


Fig. 1—575-Type Jack

(a) **575A:** This jack has auxiliary contacts which open when a plug is inserted. The jack is arranged for a solderless shield connection to a 730A-type cable. One KS-15712, L20, shield connector is shipped loose. The 575A jack is used with the 440A or similar-type plugs and mounted with a mounting hole 35° offset. This jack is used with the L4 System.

(b) **575B:** This jack is arranged for a solderless shield connection to a KS-19224, L2, cable. One KS-15712, L31, shield connector is shipped loose.

(c) **575C:** This jack has "Make" contacts instead of "Break" contacts and is equipped with a P-46W946 and P-46W949 spring contact assembly. One KS-15712, L31, shield connector is shipped loose. The 575C jack is used with the Jumbo Group Frequency Supply.

2.02 **577A:** This single-mounted, twin, miniature jack (Fig. 2) has a single frame and is suitable to be used in equipment where space restrictions are a problem. This jack is arranged to mate with the 310 and similar-type plugs. This jack is used with the D2 Channel Bank Units.

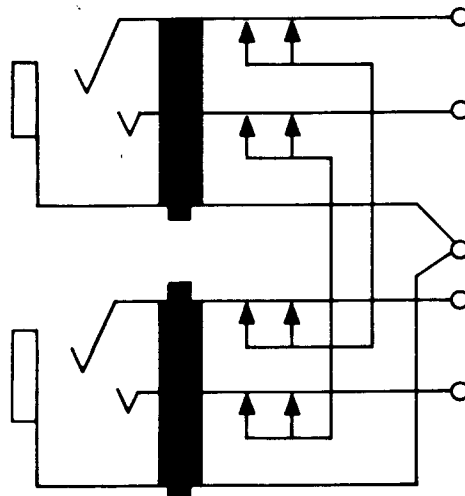


Fig. 2—577A Jack

NOTICE

Not for use or disclosure outside the Bell System except under written agreement

2.03 578A: This single-mounted, twin, miniature jack (Fig. 3) has a single frame and is suitable to be used in equipment where space restrictions are a problem. This jack is arranged to mate with the 310 and similar-type plugs. This jack is used with the D2 Channel Bank Units.

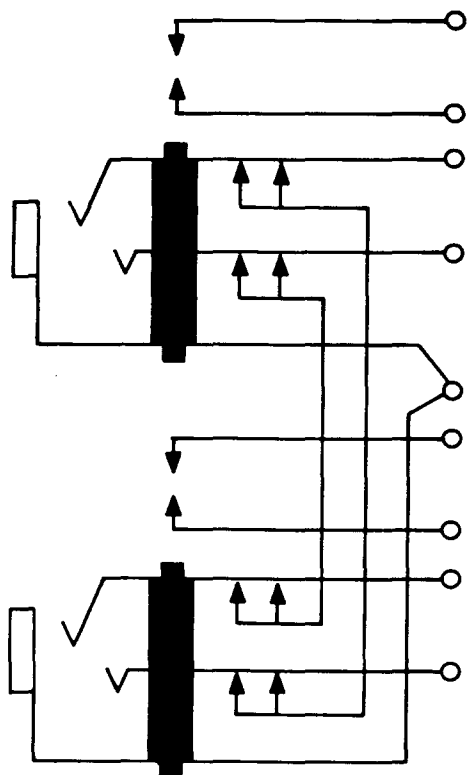


Fig. 3—578A Jack

2.04 579A: This coaxial-type jack (Fig. 4) is arranged to mate with the 440A and similar-type plugs. The center conductor is arranged for solder wire connections. The outer conductor is electrically common with the mounting plates and is tested at 1500 volts ac. This jack is used in the 63-Type Pad.

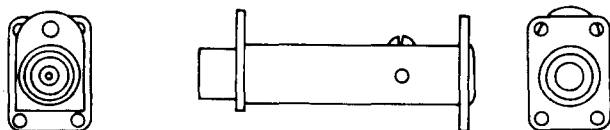


Fig. 4—579A Jack

2.05 580A, C, and E: These are single-mounted jacks (Fig. 5).

(a) **580A and C:** These jacks are suitable to be used in equipment where space restrictions are a problem. The springs are made of nickel-silver and are equipped with solder type terminals. These jacks mate with the 310 and similar-type plugs.

(b) **580E:** This jack contains a different frame assembly which is arranged for panel mounting by means of a flat hex and a knurled flange nut with two washers. This jack is used with Portable Transmission Measuring Sets.

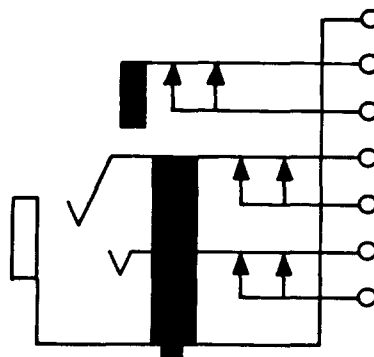


Fig. 5—580-Type Jack

2.06 581A, C, E: These single-mounted jacks (Fig. 6) are miniature and suitable for use in equipment where space restrictions are a problem. The springs are made of nickel-silver and are equipped with solder-type terminals. These jacks mate with the 310 and similar-type plugs. These jacks are used in Portable-Transmission Measuring Sets. The 581E jack contains a different frame assembly which is arranged for panel mounting by means of a flat hex and knurled flange nut with two washers.

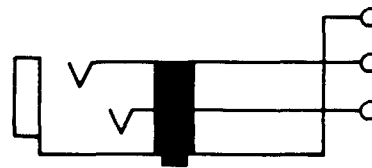


Fig. 6—581-Type Jack

2.07 **582A and E:** These are miniature single-mounted jacks (Fig. 7)

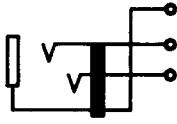


Fig. 7—582A or E Jack

(a) **582A:** This jack is used in equipment when space restrictions are a problem. The springs are made of nickel-silver and are equipped with solder-type terminals. This jack mates with the 309 plug. This jack is used with the Portable Transmission Measuring Sets.

(b) **582E:** This jack contains a different frame assembly which is arranged for panel mounting by means of a flat hex and knurled flange nut with two washers.

2.08 **584A, C, and E:** These single-mounted miniature jacks (Fig. 8) are suitable for use in equipment where space restrictions are a problem. The springs are made of nickel-silver and equipped

with solder-type terminals and mates with a 310 and similar-type plugs.

(a) **584A:** This jack is intended to mount with the springs in a vertical plane and is used with the Portable Transmission Measuring Sets.

(b) **584C:** This jack is intended to mount with the springs in a vertical plane and is used in the AR432 circuit packs.

(c) **584E:** This jack contains a different assembly which is arranged for panel mounting by means of a hex nut.

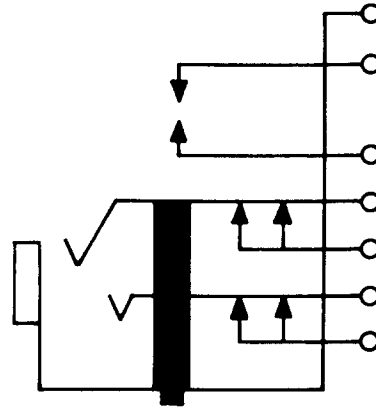


Fig. 8—584-Type Jack