

KEYS

92, 223, 479, 490, 493, 497, 498, 499, 520, 523, 524, 529, 545, A1, A2, A4, A5, A6, A7, A8, A9, A10, A11, A13, A14, A15, A17, A18, A20, A26, A27, A28, A29, A30, A31, A32, A33, A34, A35, A36, A37, B1, B2, B3, B5, B6, B7, B8, B9, B10, B14, B15, B17, B18, B19, B20, B22, B23, B25, B26, C1, C2, C3, C5, C6, C7, E1, E2, E6, G1, G2, G3, G4, G6, AND G7 TYPES

PIECE-PART DATA AND REPLACEMENT PROCEDURES

1. GENERAL

1.01 This section covers the information necessary for ordering parts to be used in the maintenance of the keys enumerated above. It also covers the approved procedures for replacing these parts.

1.02 This section is reissued to:

- Add piece-part information to Fig. 19 for the 490C-type key
- Add key-type information to Fig. 27
- Add A1ACH-, A1ACJ-, B1RD-, B1RE-, and B1RF-type keys and associated piece-part information to Table B
- Add B26C-, G3S-, G3T-, and G3U-type keys and associated piece-part information to Table C
- Add 499J key and associated piece-part information to Fig. 24 and Table O.

1.03 Part 2 of this section covers the piece-part numbers and the corresponding names of the parts for which it is practicable to replace in the field in the maintenance of these keys. No attempt should be made to replace parts not designated. Part 2 also contains explanatory figures showing the different parts.

1.04 Part 3 of this section covers the approved procedures for the replacement of the parts covered in Part 2.

2. PIECE-PART DATA

2.01 The figures included in this part show the various parts in relation to other parts of the key. The part numbers of the various parts are given together with the names of the parts as listed by the Western Electric Merchandise Department. Where these names differ from those in general use in the field, the latter names, in some cases, are shown in parentheses.

2.02 When ordering parts for replacement purposes, give both the piece-part number and the name of the part; eg, P-21266 Plunger. Do not refer to the BSP number or to any information shown in parentheses following the piece-part number.

2.03 Information enclosed by parentheses () is not ordering information. This information may be references to notes, parts referred to in other portions of the section and not considered replaceable, or part names in general use in the field if these names differ from those assigned by the manufacturer.

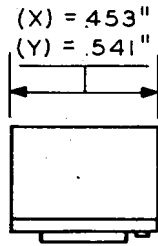
2.04 The index is provided to simplify the selection of desired parts. By referring to the figures (1 through 52) and tables (A through V) specified in the index for a certain type key, a component part of the key may be located if covered by the section.

NOTICE

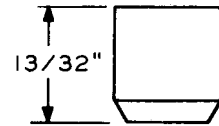
Not for use or disclosure outside the
Bell System except under written agreement

INDEX

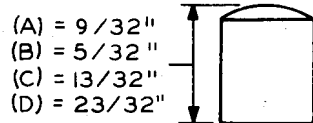
PARTS OTHER THAN KEY UNITS			KEY UNIT PARTS		PARTS OTHER THAN KEY UNITS			KEY UNIT PARTS	
KEY	FIG.	TABLES	FIG.	TABLES	KEY	FIG.	TABLES	FIG.	TABLES
A1	2,3,27, 28-50	A,B,Q,V	4	B	B15	3,27	A,B,Q,V	4	B
A2	1,2,3,27	A,B,Q,R,T,V	4,9	A,B,Q	B17	1,3	A,B,Q,R	4,9	A,B
A4	3	A,B,Q	4,10	B,H	B18	1,3	A,B,Q,T	4,6	A,B
A5	3	A,B,Q	4	B	B19	1,3	A,B,T	9	A,B
A6	1,3	A,C,T	5	A,U	B20	3	A,B,Q	4,10	B,H
A7	1,3	A,C,T	5	A,U	B22	1,3	A,C,T	8	A,U
A8	1,3	A,B,Q,T	4,5	A,B,U	B23	1,3	A,C,T	8	A,U
A9	1,3	A,D,Q,T	4	A,D	B25	1,3	A,C,T	7	A
A10	1,3	A,C,T	5	A,U	B26	1,3	A,C,T	8	A,U
A11	1,3	A,B,T	5	A,U	C1	3,27	A,B,Q,V	4	B
A13	1,3	A,B,Q,T	4,5	A,B,U	C2	1,3	A,C,S,T	7	A
A14	1,3	A,D,Q,T	4	A,D	C3	3,27	A,B,Q,V	4	B
A15	1,3	A,B,Q,S,T	4,6	A,B	C5	1,3	A,C,T	7	A
A17	1,3	A,B,R,T	9	A,B	C6	1,3	A,C,T	7	A
A18	1,2,3,27	A,B,Q,T,V	4,6	A,B	C7	3	A,B,Q	4	A,B
A20	1,3	A,B,Q,R,T	4,9	A,B	E1	1,11,13,14	E,F,S,T	13	E,F
A26	3	A,B,Q	4	B	E2	1,11,12,13,14	F,S,T	13	F
A27	1,3	A,C,T	6	A	E6	1,3	A,C,T	8	A,U
A28	1,3	A,C,T	8	A,U	G1	2,3,27	A,B,Q,V	4	B
A29	3	A,B,Q	4	B	G2	1,3,27	A,B,Q,R,T,V	4,9	A,B
A30A	1,3	A,C,T	5	A,U	G3	1,3,27	A,C,T,V	8	A,U
A31	3,27	A,B,Q,V	4	B	G4	1,3	A,C,T	8	A,U
A32	3	A,B,Q	4	B	G6	1,3,27	A,B,T,V	4,16	A,B
A33	3	A,B,Q	4	B	G7	1,3,27	A,C,T,V	8	A,U
A34	1,3	A,C,T	8	A,U					
A35	3	A,B,Q	4	B	92	15	G,H		
A36	1,3	A,C,T	8	A,U	223	17	I		
A37	1,3	A,B,T	4,8	A,B,U	479	3,18	J,K,Q	4	J,K
					490	19			
B1	2,3,27,51,52	A,B,Q,V	4	A	493	20			
B2	3	A,B	10	B,H	497	1,21	S,T		
B3	1,3	A,C,T	5	A,U	498	22	H,N		
B5	1,3	A,B,S,T	6	A,B,U	499	1,24	O,T		
B6	1,3	A,B,S,T	6	A,B,U	520	23	P		
B7	1,3	A,B,S,T	6	A,B	523	1,24	O,T		
B8	1,3	A,B,T	6	A,B	524	1,24	O,T		
B9	3	A,B,Q	4,10	B,H	529	3,25	Q	4,25	
B10	3,27	A,B,Q,V	4	B	545	1,26	T		
B14	3	AB,Q	4	B					



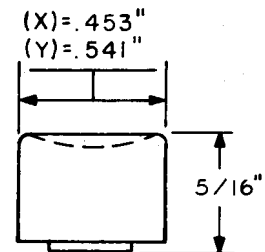
A-BUTTON (FRAME TYPE)



B-BUTTON (SOLID TYPE-FLAT TOP)

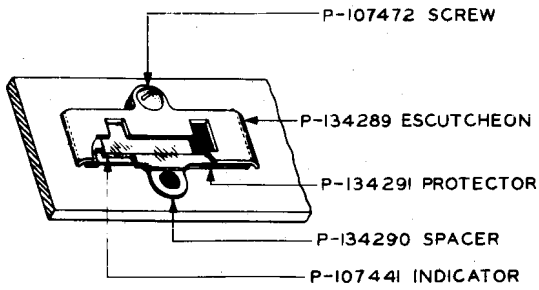


C-BUTTON (SOLID TYPE-ROUND TOP)

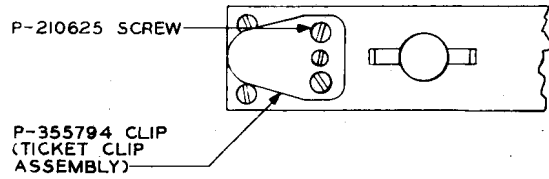


D-BUTTON (SOLID TYPE-CONCAVE TOP)

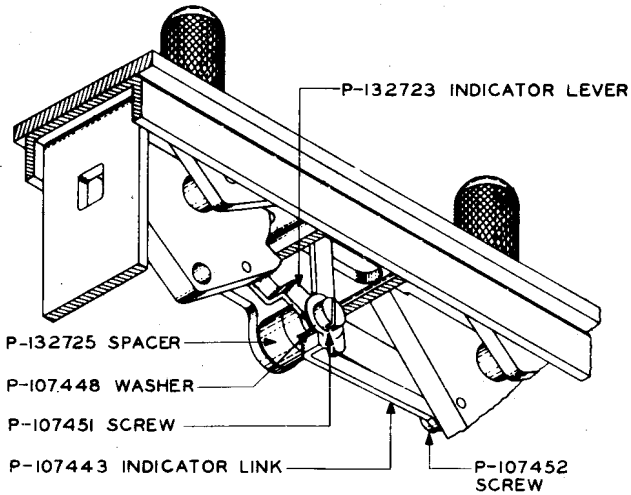
Fig. 1—Buttons Used on A-, B-, C-, E-, G-, 497-, 499-, 523-, 524-, and 545-Type Keys (See Tables R, S, and T)



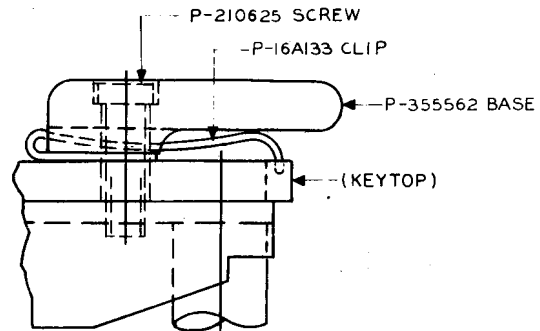
A-INDICATOR (TOP VIEW)



B-TICKET CLIP (A18-TYPE KEY)

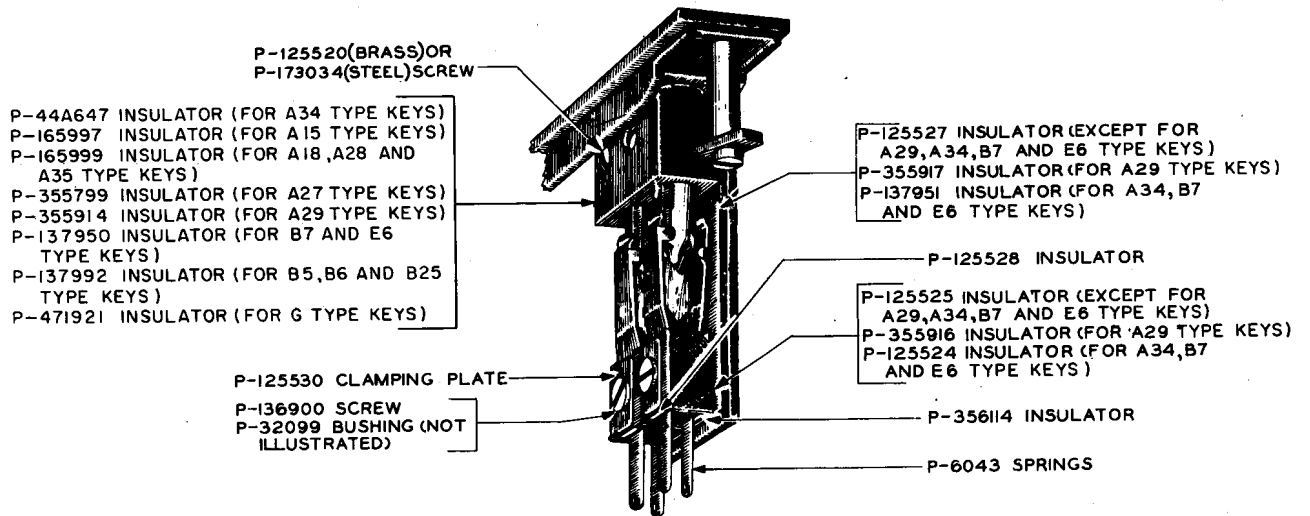


C-INDICATOR (BOTTOM VIEW)

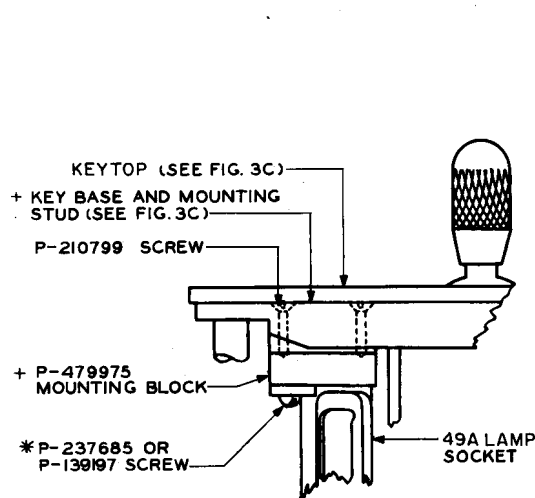


D-TICKET CLIP (GIAT KEY)

Fig. 2—Indicator Used on A1-, A2-, and B1-Type Keys, and Ticket Clip Used on A18-Type Key and GIAT Key



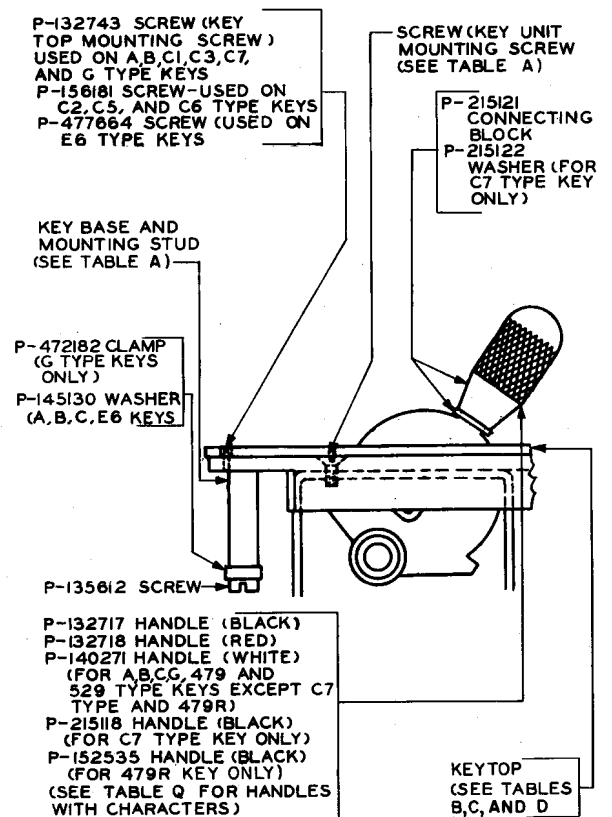
A—Lamp Socket for A-, B-, E6-, and G-Type Keys (Except A5- and B14-Type Keys)



+New key base and mounting stud no longer have brackets for mounting lamp socket but are arranged to use a lamp mounting block which must be ordered separately.

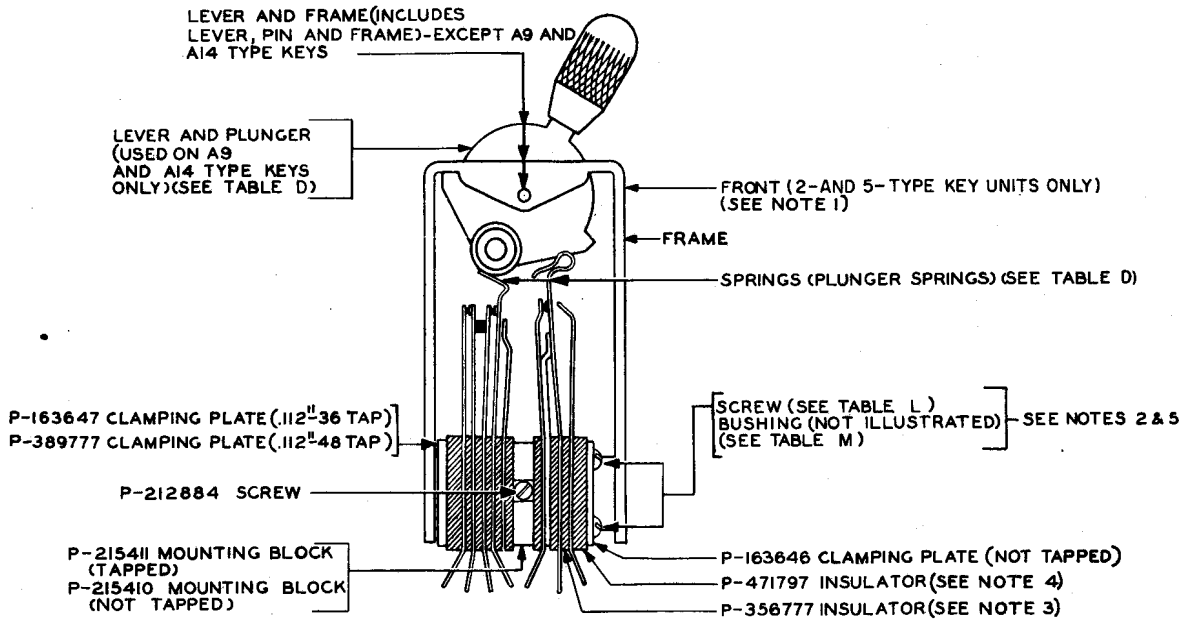
*Order two P-139197 screws for use with bracket-type lamp mounting which forms a part of the key base and mounting stud (not illustrated).

B—Lamp Socket and Mounting Block for A5- and B14-Type Keys



C—Keytop and Parts Common to A-, B-, C-, E6-, and G-Type Keys; Also Handle for A-, B-, C-, G-, 479-, and 529-Type Keys

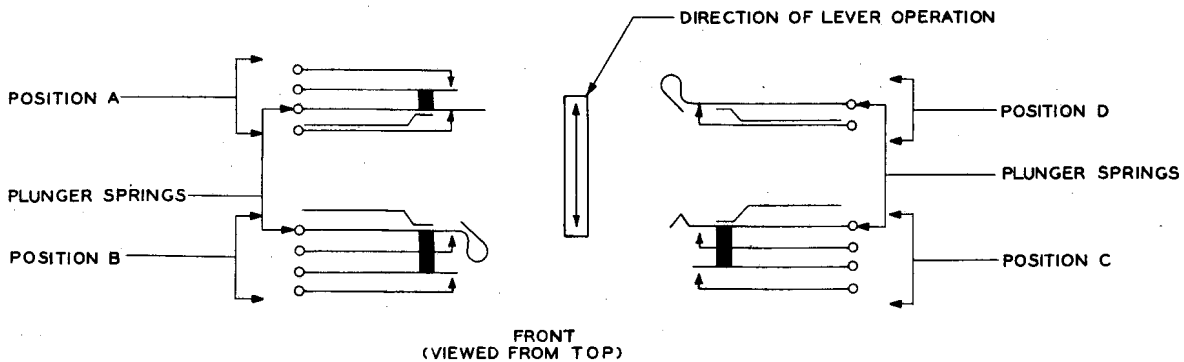
Fig. 3—Parts Common to A-, B-, C-, E6-, G-, 479-, and 529-Type Keys



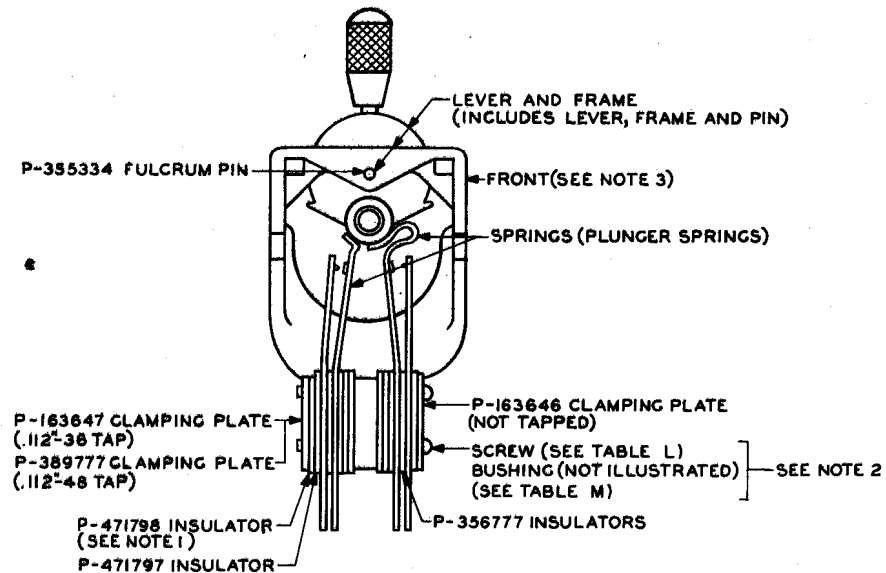
A—2- and 5-Type Key Units Having Nondie-Cast Frames and Key Unit Assemblies (Noncoded) Used on A9- and A14-Type Keys

Notes: (Fig. 4A)

1. The front of 2- and 5-type key units and 479-type keys is identified by the centrally located square hole in the frame. For key unit assemblies (noncoded), locate the plunger spring positions with respect to the front of the key itself.
2. When necessary, use extra insulators P-356777 under clamping plates P-163646, P-163647, and P-389777 in order to take care of loose springs.
3. This one insulator may be used in place of two thinner insulators. Where required to take care of loose springs, two P-356777 insulators may be used.
4. This insulator may be used in place of two thinner insulators next to the clamp plate.
5. Check screw or bushing to determine which screw or bushing to order.



B—Illustrating Plunger Positions in Table D for Key Unit Assemblies (Noncoded) Used on A9- and A14-Type Keys (Type of Plunger Springs for Illustration Purposes Only); Also Illustrates Quadrants for 2- and 5-Type Key Units



C—2- and 5-Type Key Units With Die-Cast Frame

Notes: (Fig. 4C)

1. When necessary, use extra insulators P-133451 under insulator P-471798 in order to take care of loose springs.
2. Check screw or bushing to determine which screw or bushing to order.
3. The front of the 2- and 5-type key units is that surface or leg nearest the observer when the two rectangular holes are at his right side.

Fig. 4—2- and 5-Type Key Units Used on A1-, A2-, A4-, A5-, A8-, A13-, A15-, A18-, A20-, A26-, A29-, A31-, A32-, A33-, A35-, A37-, B1-, B9-, B10-, B14-, B15-, B17-, B18-, B20-, C1-, C3-, C7-, G1-, G2-, and G6-Type Keys and Key Unit Assemblies (Noncoded) Used on A9-, A14-, 479-, and 529-Type Keys

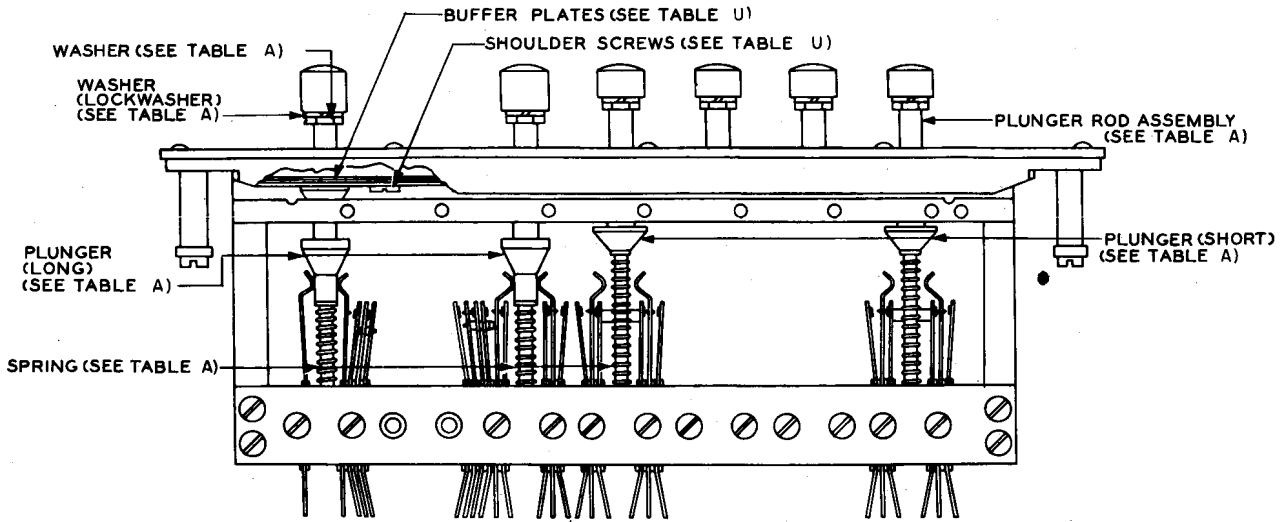


Fig. 5—Key Unit Assemblies Used on A6-, A7-, A8-, A10-, A11-, A13-, A30-, and B3-Type Keys

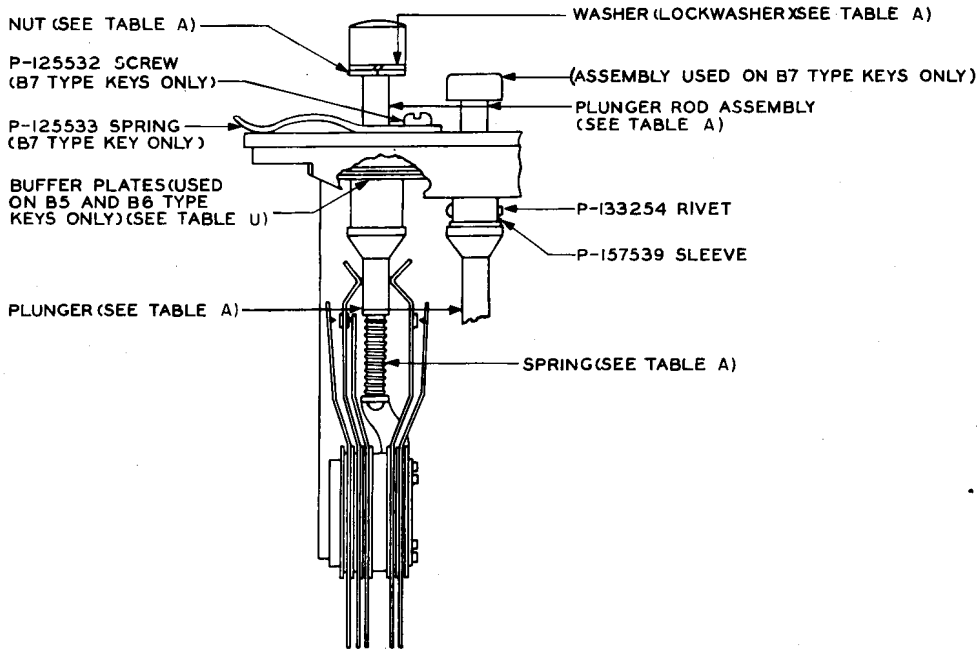


Fig. 6—Key Unit Assemblies Used on A15-, A18-, A27-, B5-, B6-, B7-, B8-, and B18-Type Keys

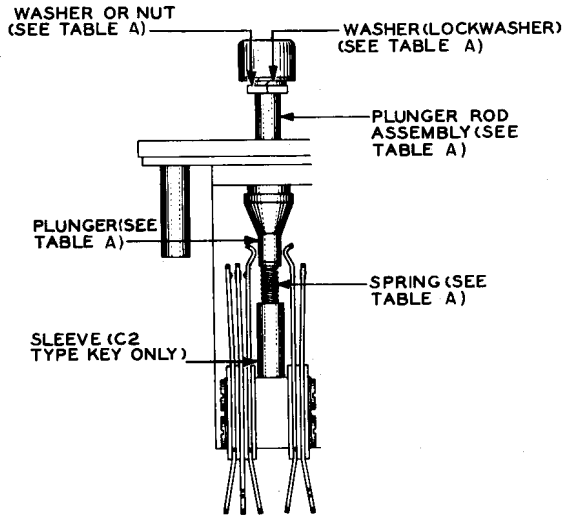


Fig. 7—Key Unit Assemblies Used on B25-, C2-, C5-, and C6-Type Keys

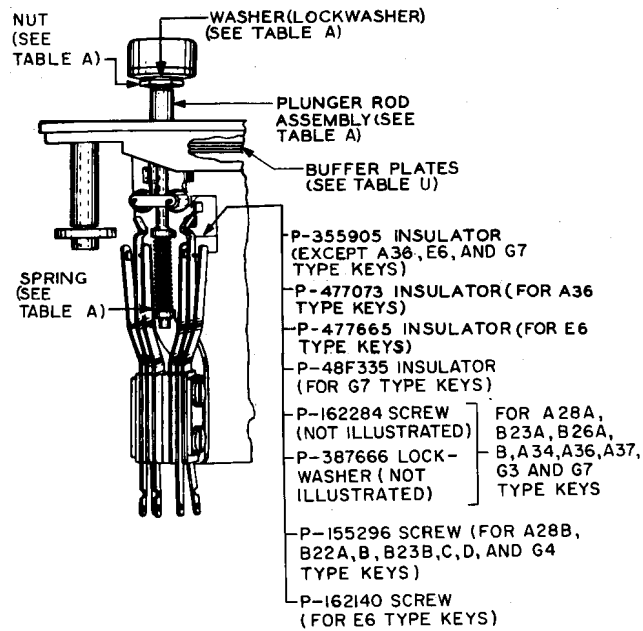


Fig. 8—Key Unit Assemblies Used on A28-, A34-, A36-, A37-, B22-, B23-, B26-, E6-, G3-, G4-, and G7-Type Keys

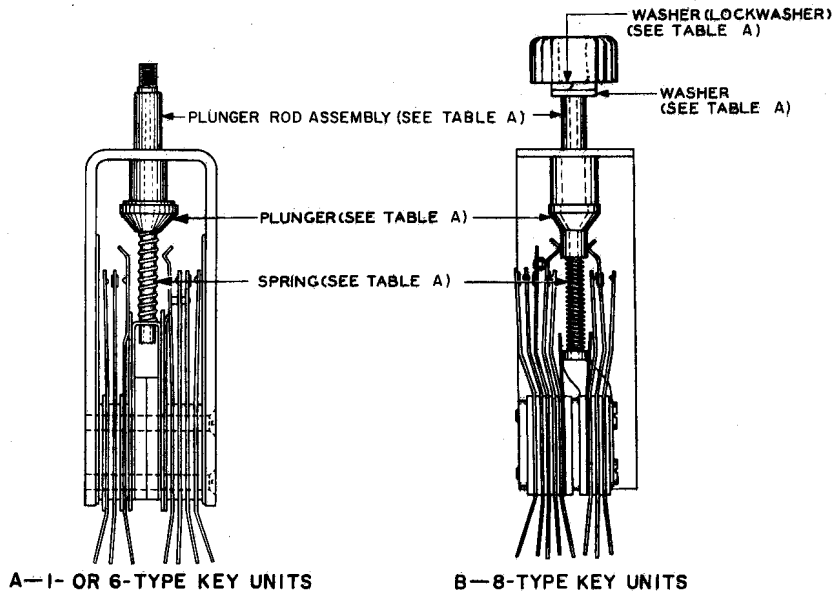


Fig. 9—1-, 6-, and 8-Type Key Units Used on A2-, A17-, A20-, B17-, B19-, and G2-Type Keys

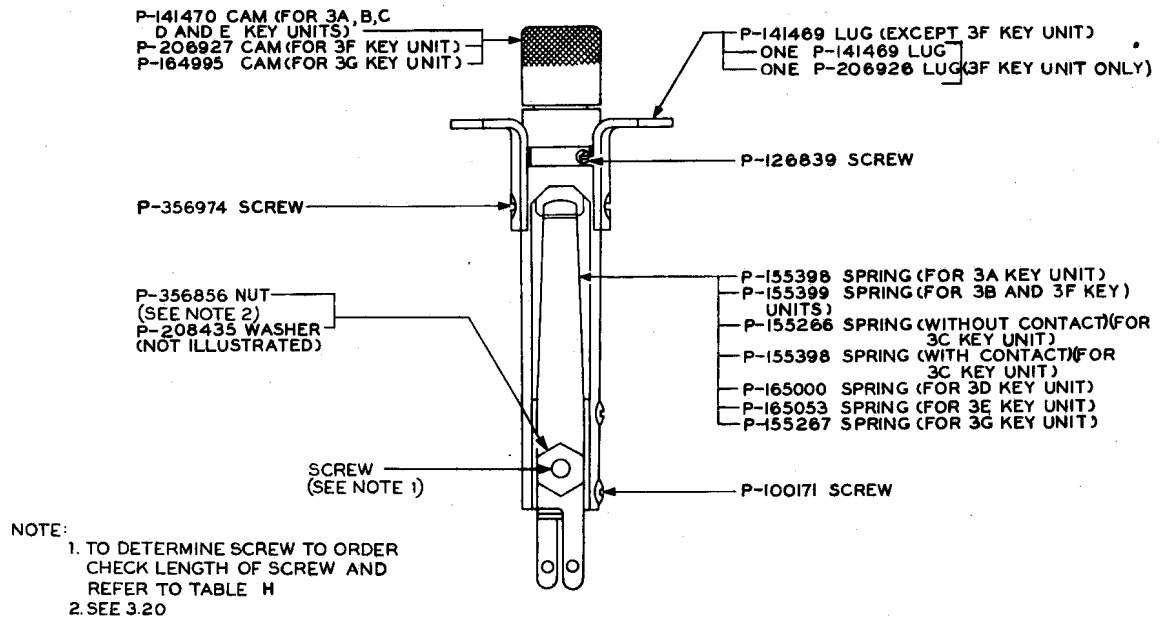


Fig. 10—3-Type Key Unit Used On A4-, B2-, B9-, and B20-Type Keys

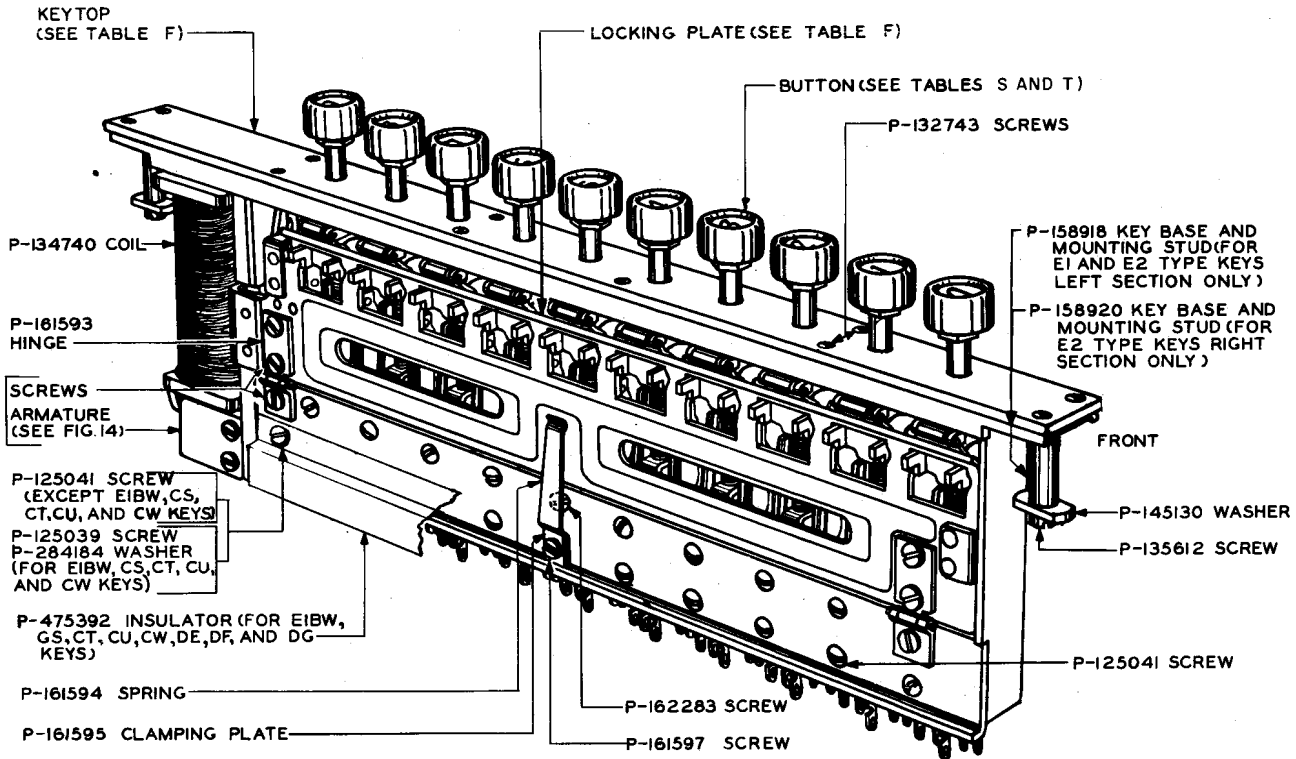


Fig. 11—Common Parts for E1- and E2-Type Keys (E1-Type Illustrated)

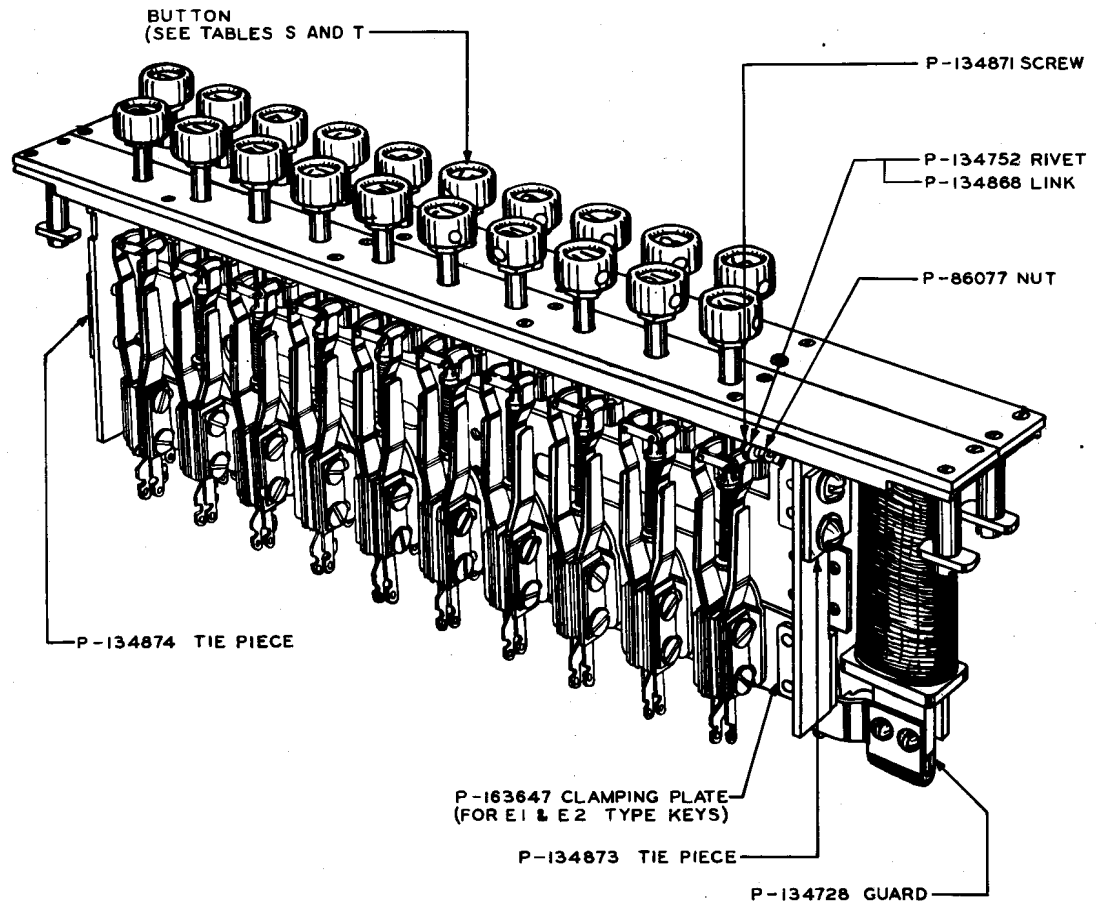


Fig. 12—E2-Type Keys (See Fig. 11)

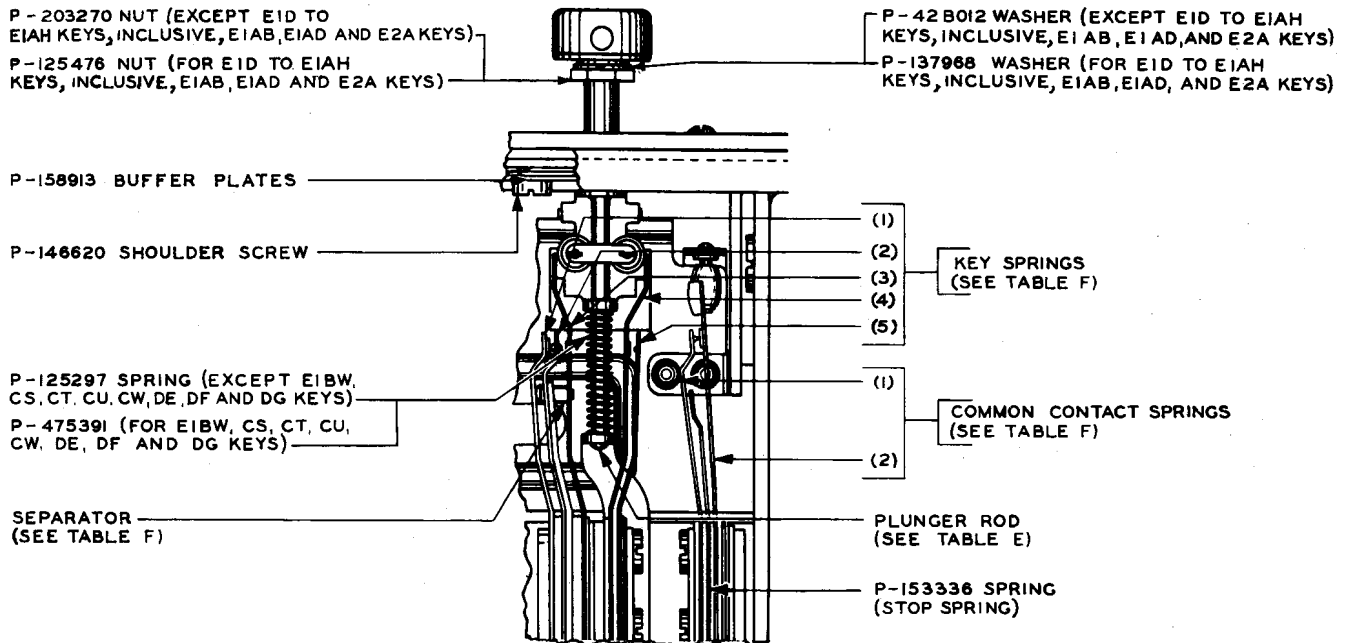
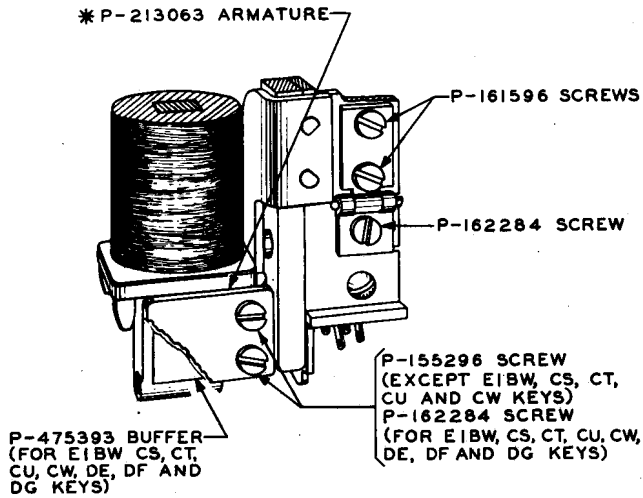


Fig. 13—Key Unit, Buffer Plate, and Springs for E1- and E2-Type Keys



*Order a P-213063 armature for keys requiring either armature or nonfreezing plate replacements; discard nonfreezing plates when a P-213063 armature is used.

Fig. 14—Armature for E1- and E2-Type Keys

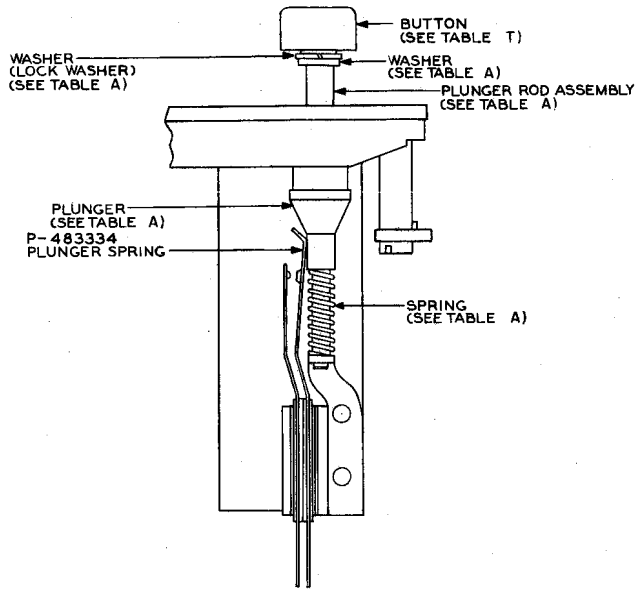
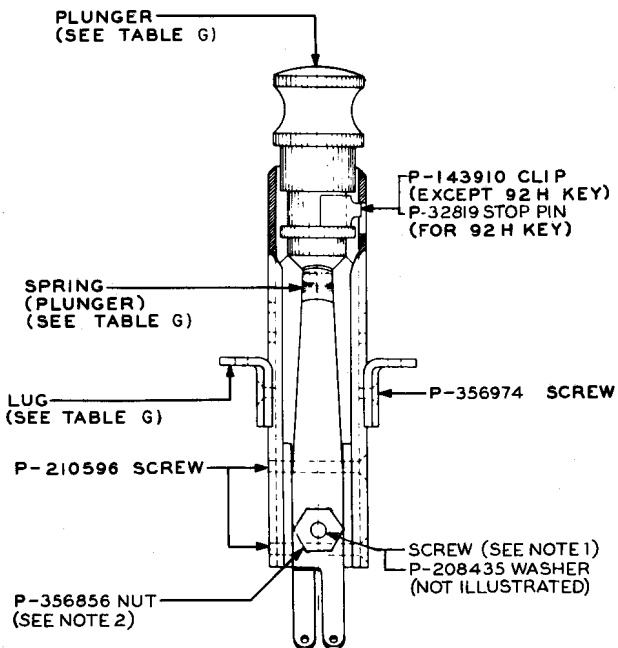


Fig. 16—Push Operated Combination for G6-Type Keys



NOTE:
 1: TO DETERMINE SCREW TO ORDER CHECK LENGTH OF SCREW AND REFER TO TABLE H)
 2: SEE 3.20

Fig. 15—92-Type Keys

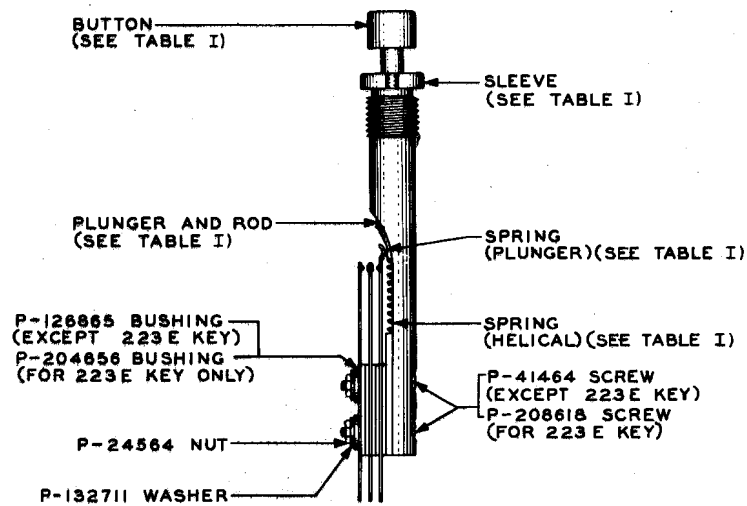
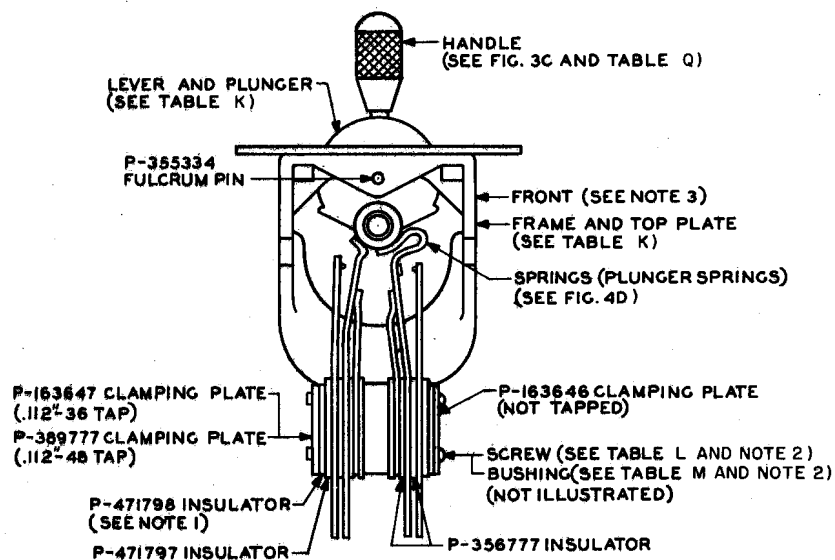


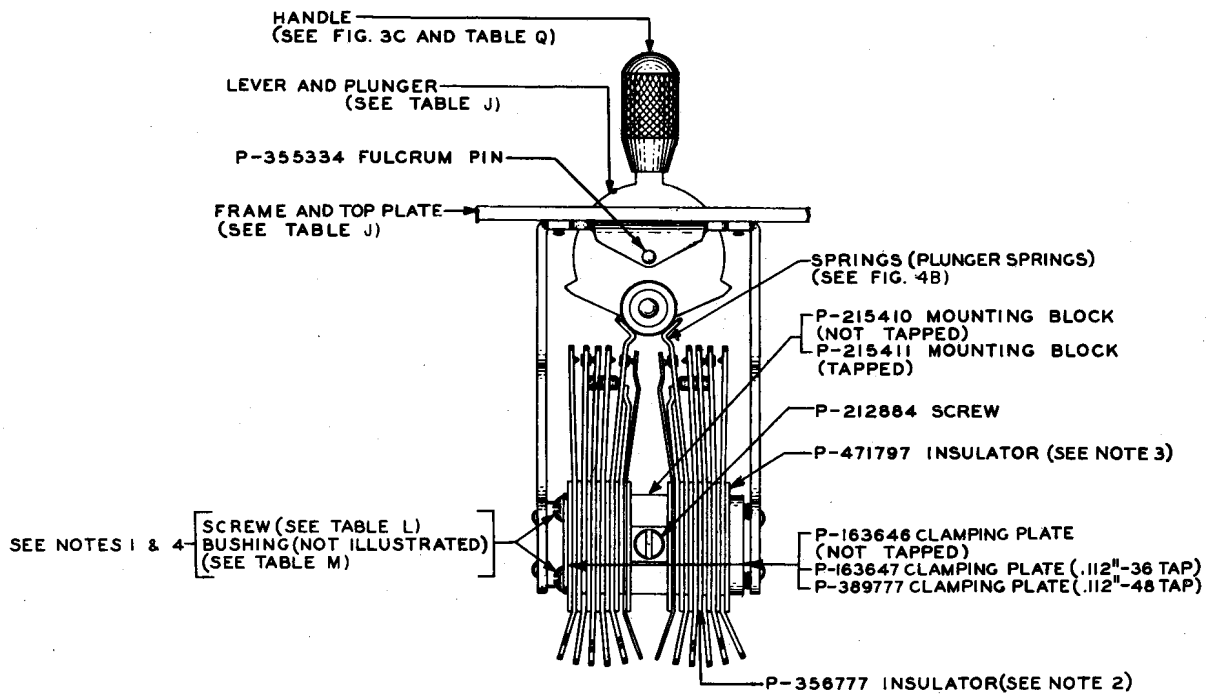
Fig. 17—223-Type Keys



A—479-Type Keys With Die-Cast Frames

Notes: (Fig. 18A)

1. When necessary, use extra insulators P-133451 under insulator P-471798 in order to take care of loose springs.
2. Check screw or bushing to determine which screw or bushing to order.
3. The front of the 479-type keys is that surface or leg nearest the observer when the two rectangular holes are at his side.



B—479-Type Keys With Nondie-Cast Frames

Notes: (Fig. 18B)

1. When necessary, use extra insulator P-356777 under clamping plates P-163646, P-163647, and P-389777 in order to take care of loose springs.
2. This one insulator may be used in place of two thinner insulators. Where required to take care of loose springs, two P-356777 insulators may be used.
3. If the key has two thin insulators next to the clamp plate, these may be replaced by one insulator P-471797.
4. Check screw or bushing to determine which screw or bushing to order.

Fig. 18—479-Type Keys

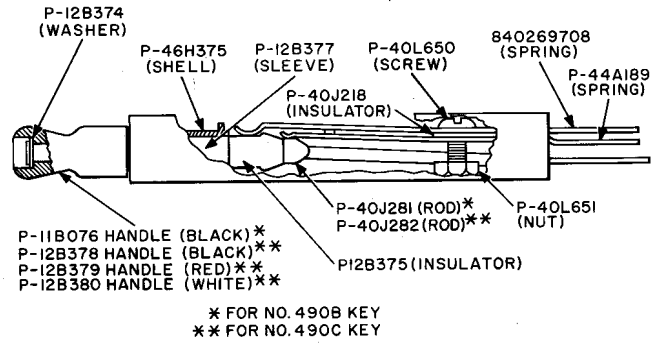


Fig. 19—490-Type Keys

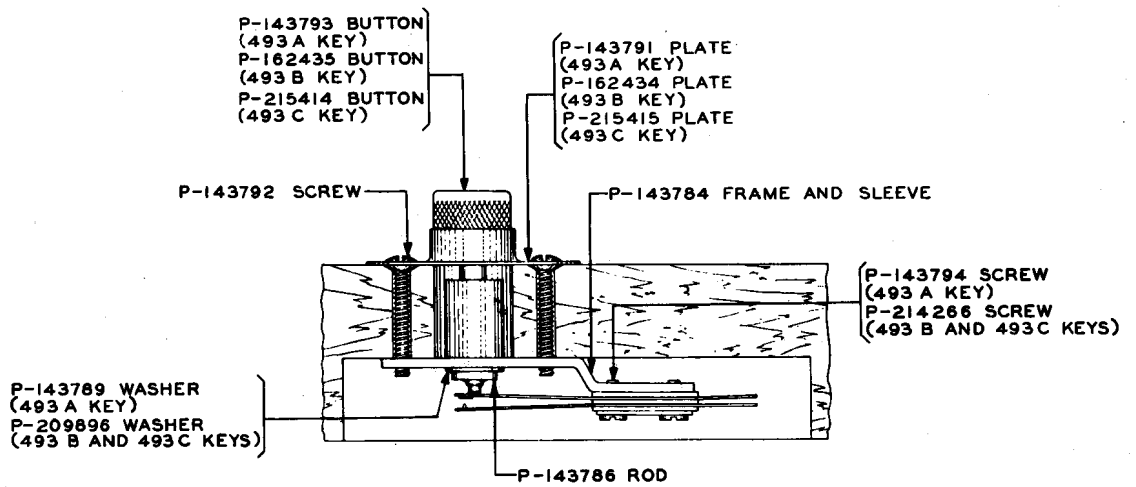


Fig. 20—493-Type Keys

SECTION 032-703-801

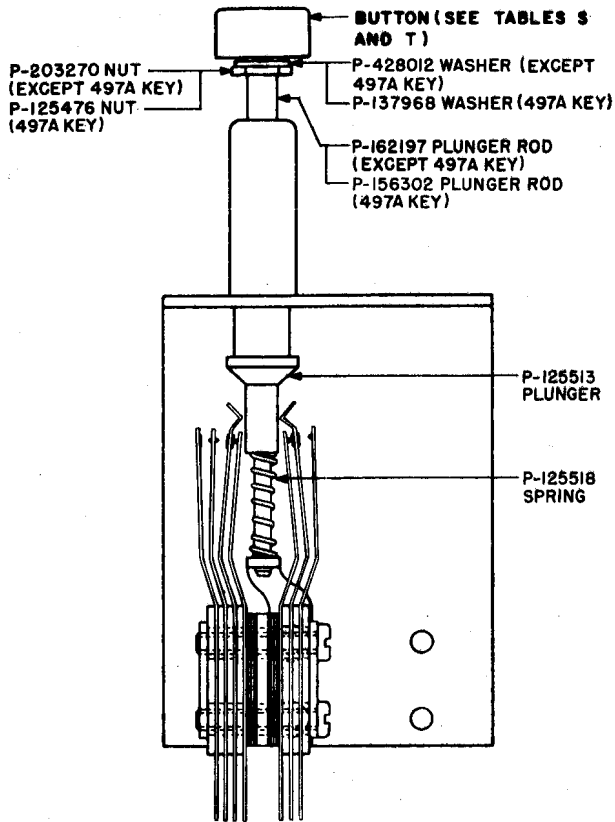
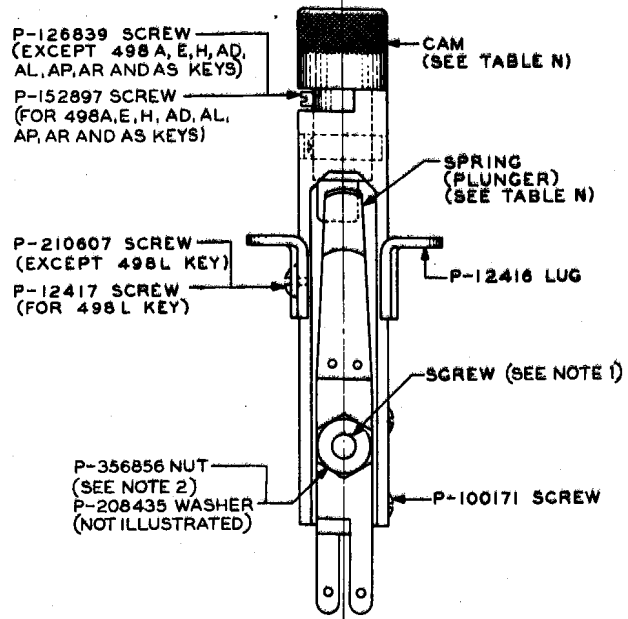


Fig. 21—497-Type Keys (497D Key Illustrated)



NOTE:
 1. TO DETERMINE SCREW TO ORDER CHECK LENGTH OF SCREW AND REFER TO TABLE H
 2. SEE 3.20

Fig. 22—498-Type Keys

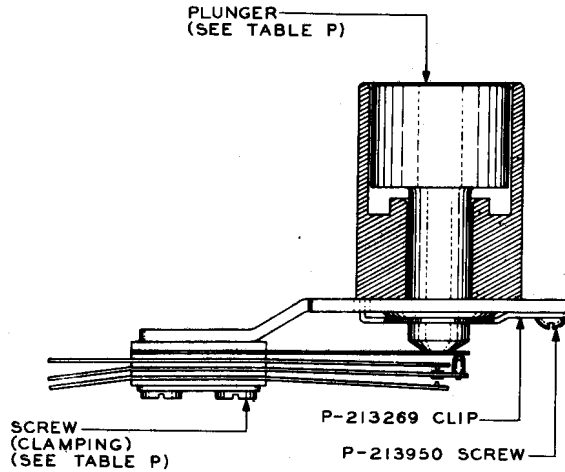


Fig. 23—520-Type Keys

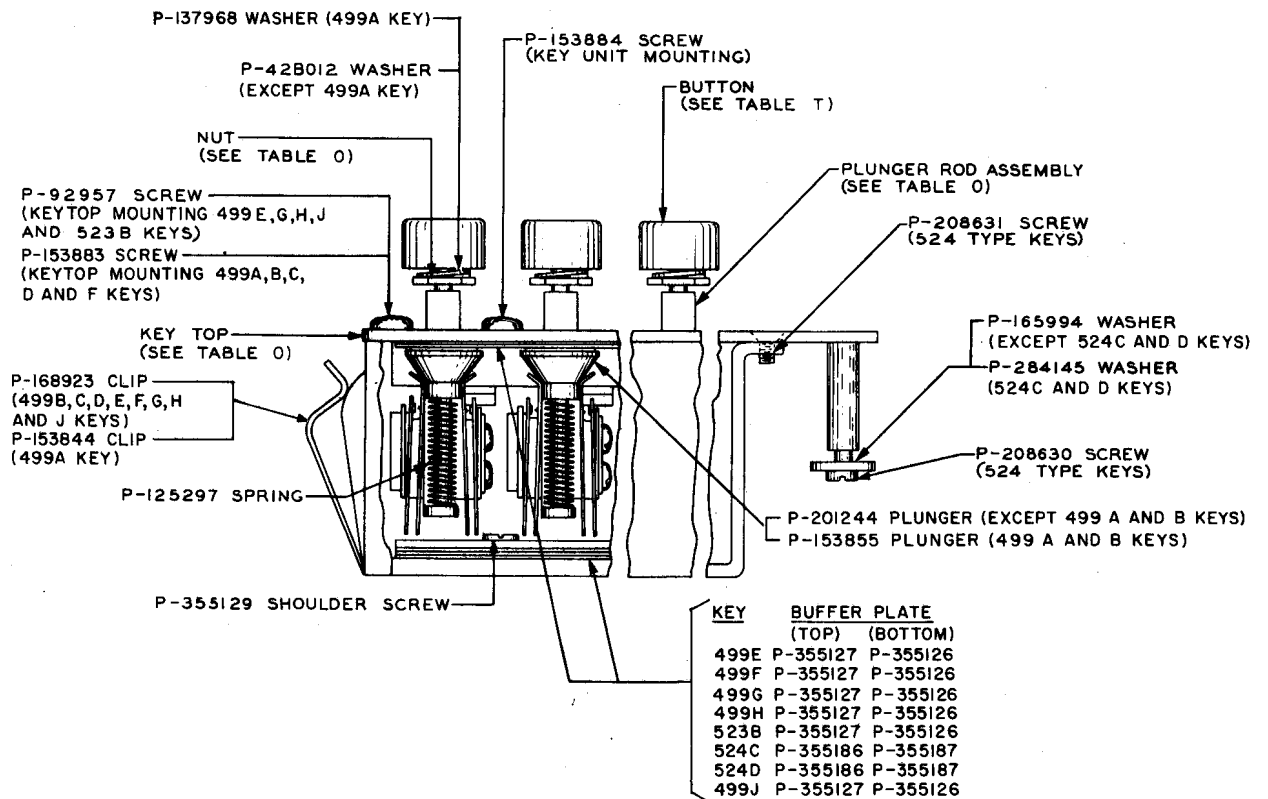
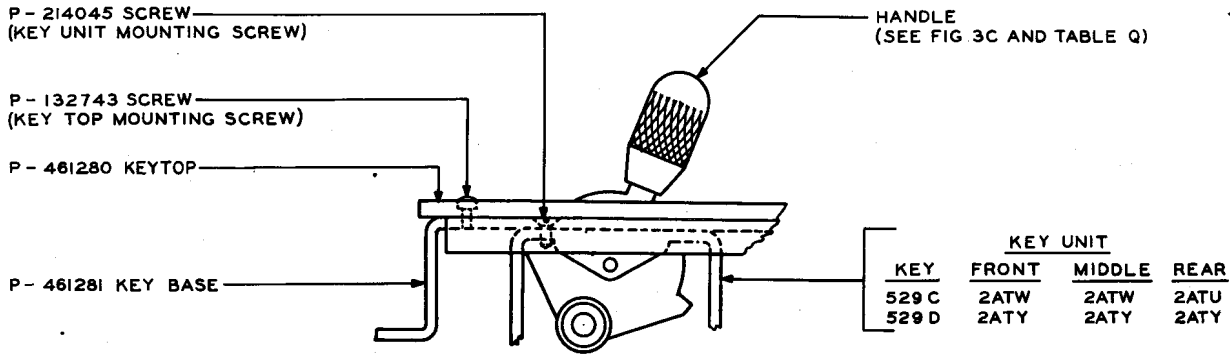
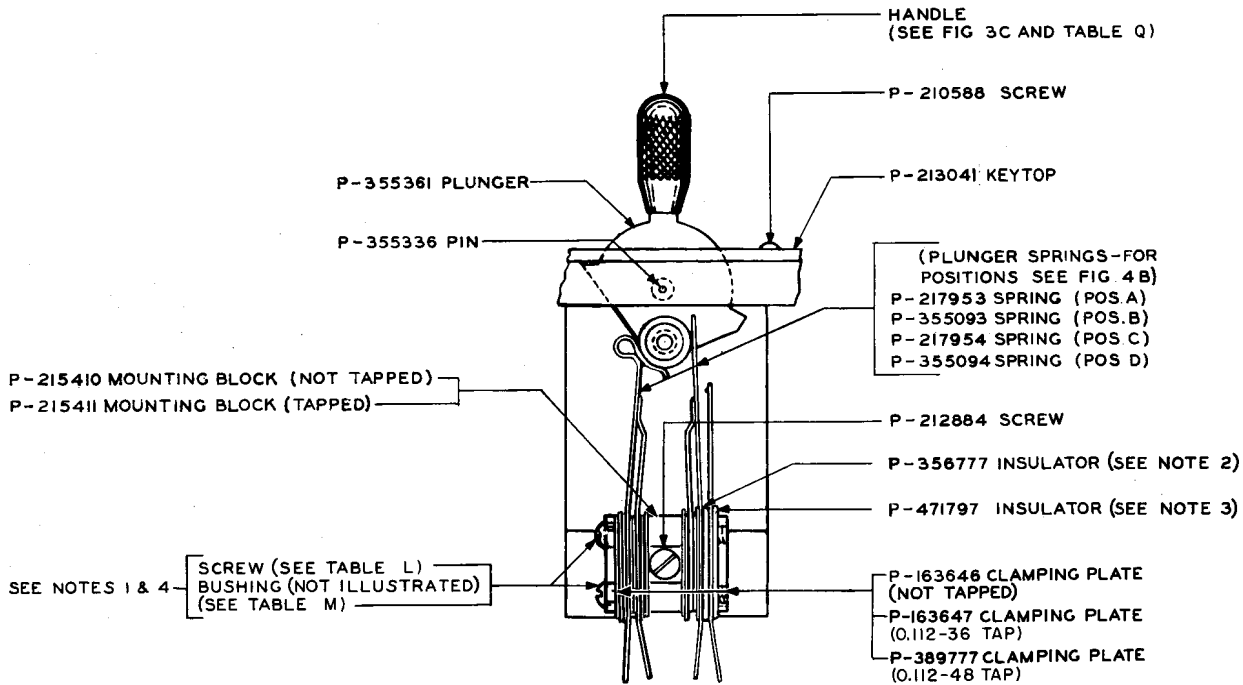


Fig. 24—499-, 523-, and 524-Type Keys

SECTION 032-703-801



A—529C and 529D Keys



B—529A and 529B Keys

Notes: (Fig. 25B)

1. When necessary, use extra insulator P-356777 under clamping plates P-163646, P-163647, and P-389777 in order to take care of loose springs.
2. This one insulator may be used in place of two thinner insulators. Where required to take care of loose springs, two P-356777 insulators may be used.
3. This insulator may be used in place of two thinner insulators next to the clamp plate.
4. Check screw or bushing to determine which screw or bushing to order.

Fig. 25—529-Type Keys

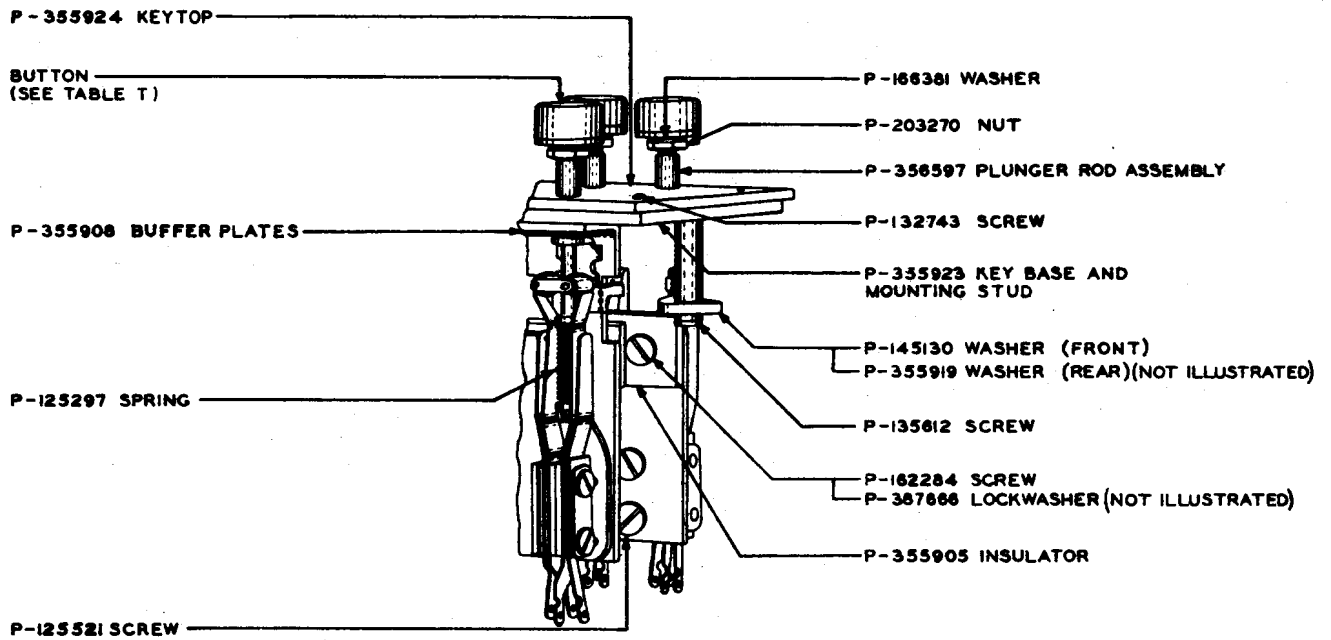


Fig. 26—545-Type Keys

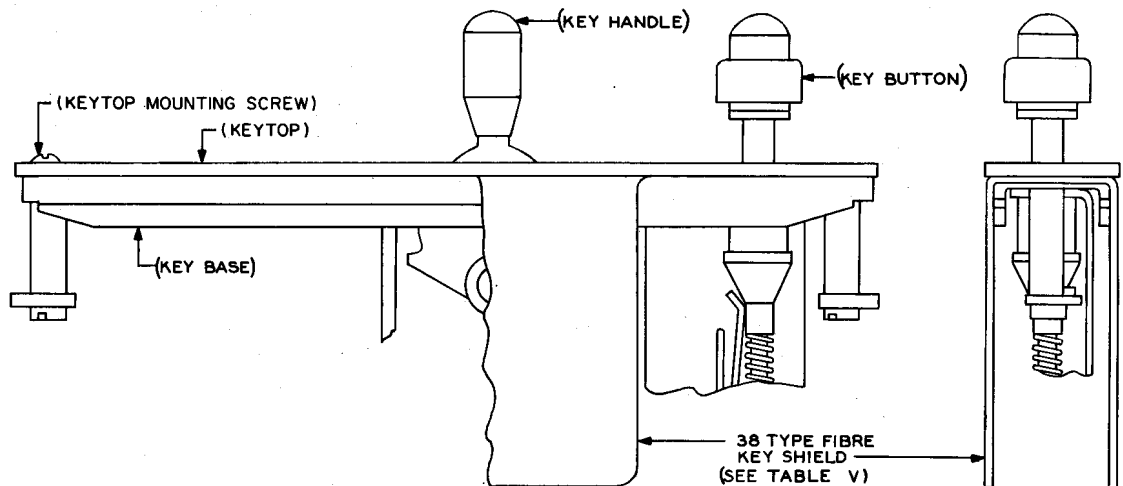


Fig. 27—A1-, A2-, A18-, A31-, B1-, B10-, B15-, C1-, C3-, and G-Type Keys Equipped With Shield

TPA 5712E

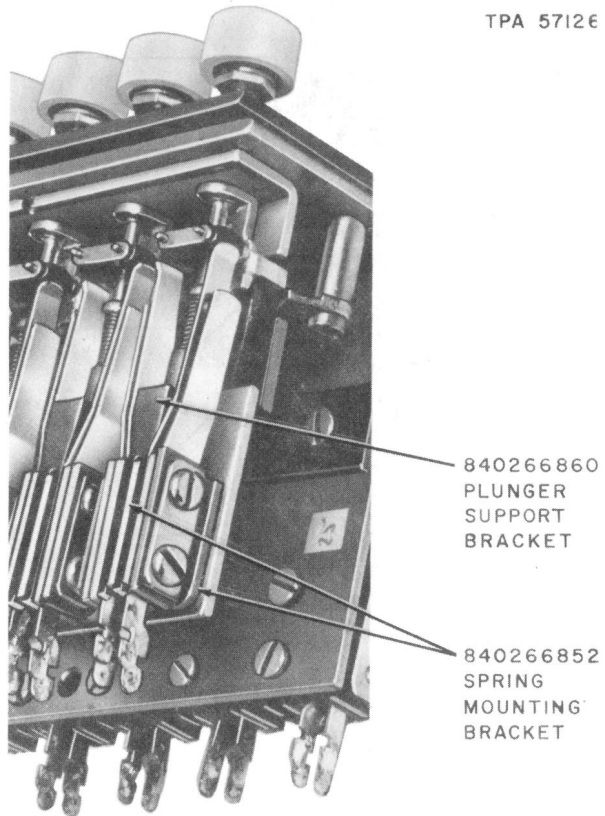
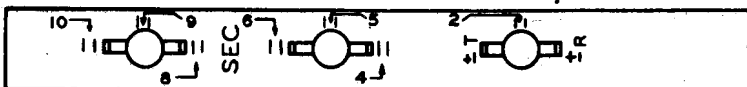


Fig. 28—Improved Support for the Plunger Rod Assembly Used on the 545-, A28-, A34-, A36-, B22-, B23-, B25-, B26-, G3-, and G4-Type Keys



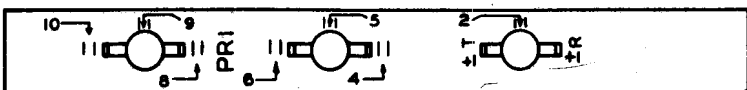
*P-135167 KEYTOP

Fig. 29—Keytop for A1Y Key



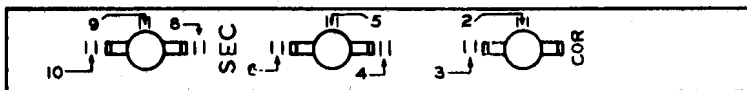
*P-135058 KEYTOP

Fig. 30—Keytop for A1BY Key



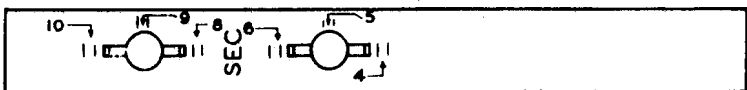
*P-135058 KEYTOP

Fig. 31—Keytop for A1CA Key



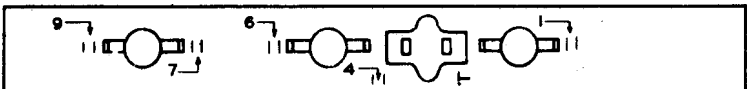
*P-135058 KEYTOP

Fig. 32—Keytop for A1CR Key



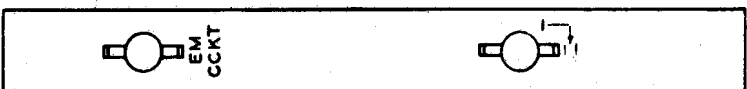
*P-139932 KEYTOP

Fig. 33—Keytop for A1CS Key



*P-155057 KEYTOP

Fig. 34—Keytop for A1FP Key



*P-136269 KEYTOP

Fig. 35—Keytop for A1FS Key



*P-136269 KEYTOP

Fig. 36—Keytop for A1FT Key

*The piece part of the keytop does not include any engraving. *All* engraving must be specified in the order.

Fig. 29 Through 36—Keytops Engraved per Order

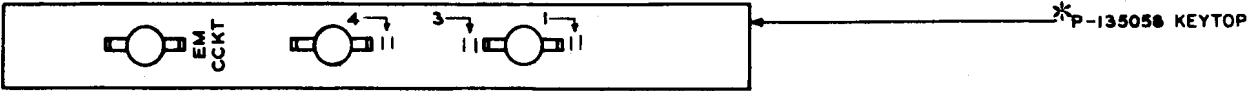


Fig. 37—Keytop for A1FU Key

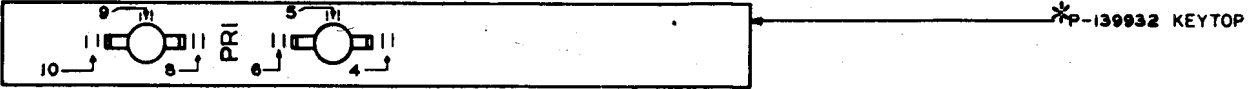


Fig. 38—Keytop for A1MG Key

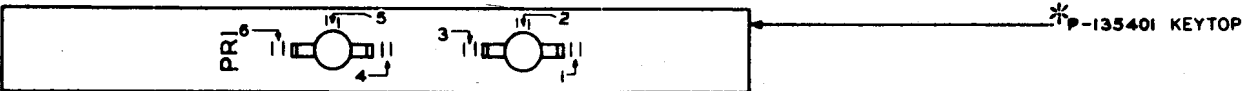


Fig. 39—Keytop for A1MH Key



Fig. 40—Keytop for A1MJ Key



Fig. 41—Keytop for A1MK Key



Fig. 42—Keytop for A1ML Key

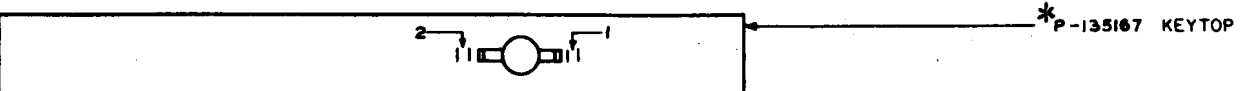


Fig. 43—Keytop for A1PD Key

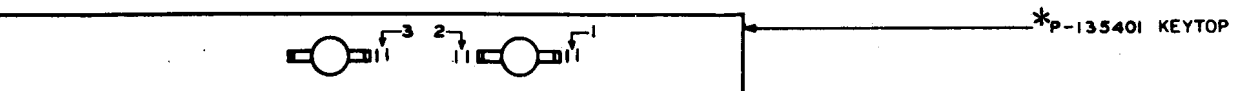


Fig. 44—Keytop for A1PE Key

*The piece part of the keytop does not include any engraving. *All* engraving must be specified in the order.

Fig. 37 Through 44—Keytops Engraved per Order

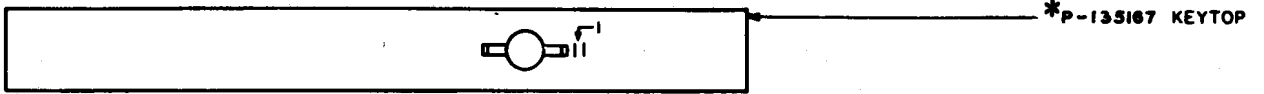


Fig. 45—Keytop for A1PK Key



Fig. 46—Keytop for A1TE Key

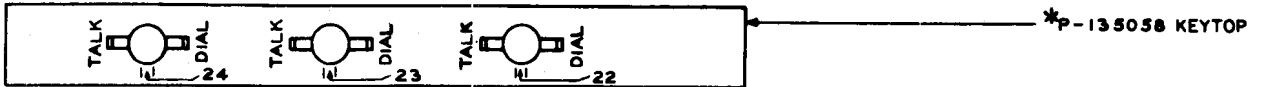


Fig. 47—Keytop for A1TF Key



Fig. 48—Keytop for A1TG Key



Fig. 49—Keytop for A1YG Key

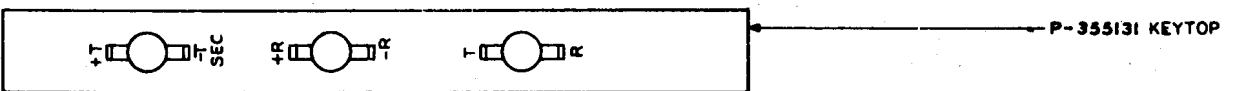
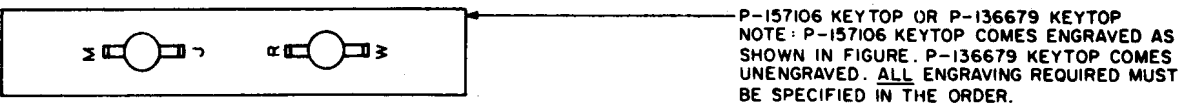


Fig. 50—Keytop for A1YG Key



P-157106 KEYTOP OR P-136679 KEYTOP
NOTE: P-157106 KEYTOP COMES ENGRAVED AS SHOWN IN FIGURE. P-136679 KEYTOP COMES UNENGRAVED. ALL ENGRAVING REQUIRED MUST BE SPECIFIED IN THE ORDER.

Fig. 51—Keytop for B1BH Key

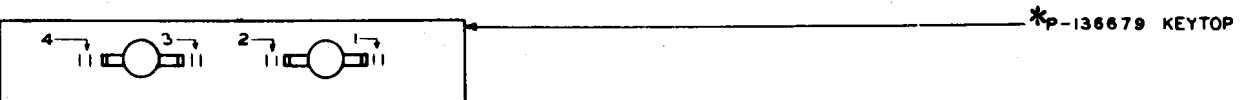


Fig. 52—Keytop for B1FL Key

*The piece part of the keytop does not include any engraving. All engraving must be specified in the order.

Fig. 45 Through 52—Keytops Engraved per Order

TABLE A

PARTS NOT COMMON TO A-, B-, C-, E-, AND G-TYPE KEYS

KEY	SCREW (KEY UNIT MOUNTING)	KEY BASE AND MOUNTING STUD	WASHER (LOCK- WASHER)	†WASHER OR NUT	SPRING (HELICAL)	PLUNGER	PLUNGER ROD ASSEMBLY
A1	P-214045	P-135060					
A2	P-214045	P-135060	P-42B012	P-125517	See Note 26	See Note 27	
A4	See Note 28	See Note 29					
A5	See Note 28	‡P-139195					
A6	P-214315	P-161457	P-42B012	P-125517	See Note 2	See Note 3	See Note 4
A7	P-214315	P-161457	P-42B012	P-125517	See Note 2	See Note 3	See Note 4
A8	P-214315	P-161157	P-42B012	P-125517	P-355939	P-146655	P-166385
A9	P-214315		P-42B012	P-125517			
A10	P-214315	See Note 5	P-42B012	P-125517	See Note 6	P-212661	P-163666
A11	P-214315	See Table B	P-42B012	P-125517	See Note 7	P-212661	P-163666
A13	See Note 8	P-161157	P-42B012	P-125517	See Note 7	P-212661	P-163666
A14	P-214315		P-42B012	P-125517			
A15	See Note 28	P-153378	See Note 17	See Note 18	P-125518	P-125513	See Note 9
A17	P-214045	P-157516	P-42B012	P-125517	P-219510	P-219509	See Note 1
A18	See Note 21	See Note 10	See Note 17	See Note 18	See Note 20	See Note 33	See Note 9
A20	P-214045	P-166858	P-42B012	P-125517	P-219510	P-219509	P-480500
A26	P-214045	P-135060					
A27	P-214045	P-355800	P-42B012	P-203270	P-168611	P-168610	P-161939
A28	P-385112	P-355909	P-42B012	P-203270	P-355939		P-356597
A29	P-214045	P-355933					
A30	P-214315	See Note 40	P-42B012	P-125517	P-355040	P-212661	P-163666
A31	P-214045	P-135060					
A32	P-214045	P-135060					
A33	P-214045	P-135060					
A34	P-385112	P-457463	P-42B012	P-203270	See Note 25		P-356597
A35	P-214045	P-458086					
A36	P-385112	P-458943	P-42B012	P-203270	See Note 30		P-356597
A37	P-214045	P-12B767	P-42B012	P-203270	P-125297		P-356597
B1	P-214045	See Note 13					
B2	P-214045	P-136555					
B3	See Note 37	See Note 14	P-42B012	P-125517	See Note 15	P-212661	P-163666
B5	P-134708	See Note 16	See Note 17	See Note 18	See Note 11	See Note 12	See Table B
B6	P-134708	See Note 16	See Note 17	See Note 18	See Note 11	See Note 12	See Table B
B7†††		See Note 19	See Note 17	See Note 18	See Note 31	See Note 32	See Table B
B8		P-161021	See Note 17	See Note 18	See Note 31	See Note 32	See Table B
B9	P-214045	P-136555					
B10	P-214045	See Note 13					
B14	P-214045	‡P-201712					
B15	P-214045	See Note 13					
B17	P-214045	P-205096	P-42B012	P-125517	P-219510	P-219509	P-480500
B18	See Note 21	P-206555	P-42B012	P-203270	See Note 35	See Note 36	P-161939
B19	P-214045	P-209626	P-42B012	P-203270	P-219510	P-219509	See Note 1
B20	P-214045	P-136555					
B22	P-125349	P-355935	P-42B012	P-203270	P-125297		P-356597
B23	P-385112	P-355941	P-42B012	P-203270	P-355939		See Note 22
B25		P-458236	P-42B012	P-203270	P-125297	P-475544	P-475543
B26	P-385112	P-459699	P-42B012	P-203270	P-125297		P-356597
C1	P-214045	P-136333					
C2	P-115754	P-162088	See Note 17	See Note 18	P-146694	P-124217	See Note 23
C3	P-214045	P-136333					
C5	P-115754	P-162088	P-42B012	P-125517	P-161189	P-124217	P-206412
C6	P-115754	P-162088	P-42B012	P-125517	P-125297	P-209439	P-209441

TABLE A (Cont)

KEY	SCREW (KEY UNIT MOUNTING)	KEY BASE AND MOUNTING STUD	WASHER (LOCK- WASHER)	†WASHER OR NUT	SPRING (HELICAL)	PLUNGER	PLUNGER ROD ASSEMBLY
C7 E6 G1 G2 G3	P-214045 See Note 38 P-214045 P-385112	P-215117 ††P-371888 See Note 39 P-457312 See Note 34	See Note 24 P-42B012 P-42B012 P-42B012	P-215122 P-203270 P-125517 P-203270	P-355939 P-219510 See Note 25	 P-219509	P-356597 See Note 1 P-356597
G4 G6 G7	P-168894 P-214045	P-457430 P-457312 P-48F338	P-42B012 P-42B012 P-42B012	P-203270 P-203270 P-203270	P-125297 P-125297 P-125297	 P-212661	P-356597 P-480500 P-356597

‡ Does not include lamp mounting block. (See Fig. 3B.)

† P-203270, P-161833, P-125476 order as nut and P-125517, P-215122 order as washer.

†† Order as frame assembly.

††† See Fig. 6 for ticket holder.

Notes:

- P-158003 (for 1-type key units)
P-161000 (for 6-type key units)
P-480500 (for 8-type key units)
- P-355040 (for locking key units — units which lock in fully operated position — see Fig. 5)
P-355039 (for nonlocking key units with short plungers — see Fig. 5)
P-146694 (for nonlocking key units with long plungers — see Fig. 5)
P-161189 (for nonlocking key unit with long plunger on A6N1, -2, -3 keys — see Fig. 5)
- P-146655 (short plunger — see Fig. 5)
P-212661 (long plunger — see Fig. 5)
P-209198 (long plunger on A6N1, -2, -3 keys — see Fig. 5)
- P-166385 (for short plungers — see Fig. 5)
P-166387 (for long plungers — see Fig. 5)
- P-161457 (except for A10J, A10AA, A10AB1, -2, -3, A10AC1, -2, -3, A10AD1, -2, -3, A10AE1, -2, -3 keys)
P-161157 (for A10J key only)
P-203252 (for A10AA key only)
P-169539 (for A10AB1, -2, -3, A10AC1, -2, -3, A10AD1, -2, -3, and A10AE1, -2, -3 keys only)
- P-355040 (for locking key units — units which lock in fully operated position — see Fig. 5)
P-146694 (for nonlocking key units — except units with buttons designated R and C — see Fig. 5)
P-161189 (for nonlocking key units with buttons designated R and C — see Fig. 5)
- P-355040 (for locking key units — units which lock in fully operated position — see Fig. 5)
P-161189 (for nonlocking key units, except A11AG key — see Fig. 5)
P-146694 (for nonlocking unit on A11AG key — see Fig. 5)
- P-214045 (for lever-type units)
P-214315 (for plunger-type units)
- P-161939 (except for A15A, A18A, B, C, D, E, F, G, H, J keys)
P-157540 (for A15A, A18A, B, C, D, E, F, G, H, J keys)
- P-158499 (except for A18AR, AS, AT, AU, AY, BF, and BG keys)
P-355796 (for A18AR, AS, AT, AU, AY, BF, and BG keys)
- P-168611 (except for B5A and B6A keys)
P-125518 (for B5A and B6A keys)

TABLE A (Cont)

Notes: (Cont)

12. P-168610 (except for B5A and B6A keys)
P-125513 (for B5A and B6A keys)
13. P-153954 (mount indicators)
P-136555 (do not mount indicators)
14. P-161444 (except for B3E1, -2, and -3 and B3F keys)
P-214741 (for B3E1, -2, and -3 and B3F keys)
15. P-355040 (for B3A1, -2, and -3 keys)
P-161189 (for B3C1, -2, and -3 keys)
P-146694 (for B3D1, -2, and -3, B3E1, -2, and -3, and B3F keys)
16. P-215452 (for B5B, B5C, and B6B keys)
P-155385 (for B5A and B6A keys)
P-215453 (for B6C and B6D keys)
17. P-42B012 (except for A15A, A18A, B, C, D, E, F, G, H, J, L, M, P, R, S, T, U, B5A, B6A, B7A, B, C, D, B8A, and C2A through C2F keys)
P-137968 (for A15A, A18A, B, C, D, E, F, G, H, J, L, M, P, R, S, T, and U, B5A, B6A, B7A, B, C, and D, B8A, and C2A through C2F keys)
18. P-203270 (except for A15A, A18A, B, C, D, E, F, G, H, J, L, M, P, R, S, T, U, B5A, B6A, B7A, B, C, D, B8A, and C2A through C2F keys)
P-161833 (for A18L, M, P, R, S, T, and U keys)
P-125476 (for A15A, A18A, B, C, D, E, F, G, H, J, B5A, B6A, B7A, B, C, and D, B8A, and C2A through C2F keys)
19. P-153388 (for B7A, C, E, G, J, K, and R keys)
P-157619 (for B7B, D, F, H, L, and M keys)
P-355573 (for B7N and B7P keys)
20. P-125518 (except for A18AR, AT, and BF keys)
P-219510 (for A18AR, AT, and BF keys)
21. P-214045 (except on A18A, B, C, D, E, F, G, H, J, L, M, P, R, S, T, U, B18B, C, E, and G keys)
- P-107474 (for lever units on A18A, B, C, D, E, F, G, H, J, L, M, P, R, S, T, U, B18B, C, and E keys)
- P-158645 (for plunger units on A18A, B, C, D, E, F, G, H, J, L, M, P, R, S, T, U, B18B, C, E, and G keys)
22. P-356597 (for B23A and D keys)
P-162196 (for B23B and C keys)
23. P-155193 (for rear units on C2A, B, and C keys)
P-155195 (for front units on C2A through F keys)
P-161831 (for rear units on C2G through C2M, and C2S, T, and U keys)
P-161832 (for front units on C2K through AA keys)
24. Order Shakeproof LW No. 1908
25. P-125297 (except A34A key, the two front units on G3A, G3B, G3E, G3L, and A34B keys and the front unit on the G3J key)
P-355939 (for the A34A key, the two front units on G3A, G3B, G3E, G3L, and A34B keys and the front unit on the G3J key)
26. P-128512 (for 1- and 6-type key units)
P-219510 (for 8-type key units)
27. P-128513 (for 1- and 6-type key units)
P-219509 (for 8-type key units)
28. P-214045 (except for A4B, A5G, and A15A keys)
P-107474 (for A4B, A5G, and A15A keys)
29. P-155903 (except A4A key)
P-153593 (for A4A key)
30. P-125297 (except front unit on A36A key and the two front units on the A36C key)
P-355939 (for front unit on A36A key and the two front units on the A36C key)
31. P-125518 (except B7R, B8E, and rear unit on B8F key)
P-125297 (for B7R, B8E, and rear unit on B8F key)

TABLE A (Cont)

Notes: (Cont)

- | | |
|--|---|
| 32. P-125513 (except B7R, B8E, and rear unit on B8F key) | P-219510 (for B18D, H, J, L, N, P, and R keys) |
| P-475899 (for B8E and rear unit on B8F key) | 36. P-125513 (for B18A, B, C, E, F, G, K, and M keys) |
| P-212661 (for B7R) | P-219509 (for B18D, H, J, L, N, P, and R keys) |
| 33. P-125513 (except for A18AR, AT, and BF keys) | 37. P-214315 (except for B3F key) |
| P-219509 (for A18AR, AT, and BF keys) | P-115752 (for B3F key only) |
| 34. P-457451 (for G3A, G3B, G3E, G3K, G3L, G3M, G3N, and G3P keys) | 38. P-214045 (except for G1AT key) |
| P-459143 (for G3C, G3D, G3H, and G3J keys) | P-484932 (for G1AT key) |
| 35. P-125518 (for B18A, B, C, E, F, G, K, and M keys) | 39. P-457312 (except for G1AT key) |
| | P-16A128 (for G1AT key) |
| | 40. A-318635, Det 4 |

TABLE B

KEYTOP AND KEY UNITS FOR A1, A2, A4, A5, A8, A13, A15, A17, A18, A20, A26, A29, A31, A32, A33, A35, A37, B1, B2, B9, B10, B14, B15, B17, B18, B19, B20, C1, C3, C7, G1, G2, AND G6-TYPE KEYS, KEYTOP AND KEY BASE AND MOUNTING STUD FOR ALL-TYPE KEYS AND KEY- TOPS AND PLUNGER ROD ASSEMBLY FOR B5, B6, B7, AND B8-TYPE KEYS

KEY	†KEY UNIT	††KEYTOP	KEY	†KEY UNIT	††KEYTOP	KEY	†KEY UNIT	††KEYTOP	KEY	†KEY UNIT	††KEYTOP
A1A	2G,2AA,2M	P-135058	A1AT	2GP,2AP	P-135174	A1CM	2BH	P-139798	A1CM	2BH	P-139798
A1B	2G,2AF,2M	P-135058	A1AU	2AR,2AP	P-135175	A1CN	2ASJ,2ABE	P-140217	A1CN	2ASJ,2ABE	P-140217
A1C	2G,2BP,2P	P-135058	A1AW	2F,2N	P-135059	A1CP	2NK	P-142982	A1CP	2NK	P-142982
A1D	2G,2F,2BR	P-135058	A1AY	2F,2U	P-135059	A1CR	2AP,2AP,2CH	See Fig. 32	A1CR	2AP,2AP,2CH	See Fig. 32
A1E	2G,2G,2P	P-135058	A1BA	2F,2B	P-135059	A1CS	2AP,2AP	See Fig. 33	A1CS	2AP,2AP	See Fig. 33
A1F	2G,2AN,2M	P-135058	A1BB	2F,2FY	P-135059	A1CT	2AP	P-142854	A1CT	2AP	P-142854
A1G	2F,2J,2B	P-135171	A1BC	2F,2L	P-135059	A1CU	2CH	P-142855	A1CU	2CH	P-142855
A1H	2T,2AH,2AG	P-135337	A1BD	2F,2BB	P-135059	A1CW	2DF	P-142856	A1CW	2DF	P-142856
A1J	2T,2AM,2AB	P-135338	A1BE	2U,2HA	P-136269	A1CY	2C,2ASK	P-140099	A1CY	2C,2ASK	P-140099
A1K	2T,2GR,2GR	P-135172	A1BF	2CL	P-139222	A1DA	2ASJ	P-140198	A1DA	2ASJ	P-140198
A1L	2T,2GR,2GR	P-135173	A1BG	2G,2BT,2BR	P-135058	A1DB	2ASJ,2CA	P-140222	A1DB	2ASJ,2CA	P-140222
A1M	2C,2AS,2C	P-135339	A1BH	2BH,2BG	P-136856	A1DC	2ASJ	P-140230	A1DC	2ASJ	P-140230
A1N	2G,2R,2AT	P-135058	A1BJ	2BD,2BG	P-136857	A1DG	2P	P-139257	A1DG	2P	P-139257
A1P	2G,2R,2P	P-135058	A1BK	2BL	P-139222	A1DH	2HA	P-139222	A1DH	2HA	P-139222
A1R	2G,2BE,2M	P-135058	A1BL	2BM	P-135167	A1DJ	2F	P-135167	A1DJ	2F	P-135167
A1S	2AW,2AU,2AY	P-135058	A1BM	2BM,2BM	P-135401	A1DK	2HA,2F	P-136269	A1DK	2HA,2F	P-136269
A1T	2GE	P-139222	A1BN	2F,2AK	P-135059	A1DL	2CB,2B	P-136269	A1DL	2CB,2B	P-136269
A1U	2N	P-135167	A1BP	2F	P-139222	A1DM	2F,2U	P-136269	A1DM	2F,2U	P-136269
A1W	2G,2R,2BR	P-135058	A1BR	2AL,2AL,2AL	P-136935	A1DN	2HA	P-139222	A1DN	2HA	P-139222
A1Y	2ACP	See Fig. 29	A1BS	2GR,2GP,2BG	P-136936	A1DP	2DU,2DT,2DM	P-145784	A1DP	2DU,2DT,2DM	P-145784
A1AA	2F	P-135167	A1BT	2GP,2BN	P-136937	A1DR	2AB	P-139222	A1DR	2AB	P-139222
A1AB	2U	P-135167	A1BU	2G,2BT,2M	P-135058	A1DS	2J,2U,2DW	P-145783	A1DS	2J,2U,2DW	P-145783
A1AC	2C	P-135167	A1BW	2G,2BP,2BU	P-135058	A1DT	2C	P-139222	A1DT	2C	P-139222
A1AD	2F	P-135168	A1BY	2AP,2AP,2AP	See Fig. 30	A1DU	2DL	P-135167	A1DU	2DL	P-135167
A1AE	2A	P-139222	A1CA	2DF,2DF,2DF	See Fig. 31	A1DW	2EE,2EE	P-136269	A1DW	2EE,2EE	P-136269
A1AF	2F,2N	P-135401	A1CB	2ASH,2H	P-146040	A1DY	2CB,2DG,2B	P-135058	A1DY	2CB,2DG,2B	P-135058
A1AG	2ABK,2ABK	P-135401	A1CC	2ACP,2ACP	P-140199	A1EA	2CB,2DJ,2B	P-135058	A1EA	2CB,2DJ,2B	P-135058
A1AH	2ACP,2ACP	P-135401	A1CD	2ACL,2ACL	P-140220	A1EB	2DY,2DM,2C	P-145786	A1EB	2DY,2DM,2C	P-145786
A1AJ	2F,2F	P-135401	A1CE	2CA	P-140229	A1EC	2G,2E,2BC	P-135058	A1EC	2G,2E,2BC	P-135058
A1AK	2F,2U	P-135401	A1CF	2C,2CC	P-140272	A1EG	2HN,2HN,2HN	P-135058	A1EG	2HN,2HN,2HN	P-135058
A1AL	2F,2B	P-135401	A1CG	2CD,2CE	P-139965	A1EH	2BY,2BY	P-139932	A1EH	2BY,2BY	P-139932
A1AM	2Y,2W	P-135401	A1CH	2ADK	P-139969	A1EJ	2HN	P-139222	A1EJ	2HN	P-139222
A1AN	2F,2AA	P-135401	A1CJ	2ARR,2CN	P-139990	A1EK	2A,2A	P-139932	A1EK	2A,2A	P-139932
A1AP	2F,2M	P-135401	A1CK	2GR	P-139991	A1EL	2F,2TD	P-135059	A1EL	2F,2TD	P-135059
A1AS	2F,2AG	P-135059	A1CL	2GR	P-140216	A1EM	2TD	P-135167	A1EM	2TD	P-135167

† The key units are listed in the order in which they appear on the key from rear to front.

†† Keytops come with standard engraving for the key except when otherwise specified in the table.

TABLE B (Cont)

KEY	†KEY UNIT	††KEYTOP	KEY	†KEY UNIT	††KEYTOP	KEY	†KEY UNIT	††KEYTOP	KEY	†KEY UNIT	††KEYTOP
A1EN	2GP,2F,2N	P-135058	A1HJ	2MB	P-135167	A1LE	2ADN,2HT	P-139932			
A1ES	2F,2BB	P-139932	A1HK	2MB	P-135167	A1LF	2LB,2LG,2SL	P-135058			
A1ET	2ET,2BB	P-139932	A1HL	2ABJ	P-135167	A1LG	2GW,2HN,2HN	P-201256			
A1EU	2G,2F,2M	P-135058	A1HP	2MF,2AP	P-161300	A1LH	2GP,2JP,2GN	P-135058			
A1EW	2G,2FC,2M	P-135058	A1HR	2AK,2MK	P-136269	A1LJ	2JP,2GN	P-135401			
A1EY	2G,2ADL,2M	P-135058	A1HS	2ACR,2MR	P-139932	A1LK	2AW,2LY,2SW	P-135058			
A1FB	2F,2FF	P-135059	A1HT	2MS,2JT	P-139932	A1LL	2ET,2FF	P-139932			
A1FC	2HA,2F	P-136269	A1HU	2EE,2NB	P-135401	A1LM	2DF,2DE,2RK	P-135058			
A1FD	2DU,2DT,2DM	P-145785	A1HW	2NC,2CE	P-139965	A1LP	2DF	P-202968			
A1FE	2DU,2DS,2DM	P-135339	A1HY	2ASH,2NG	P-146040	A1LR	2AP	P-202957			
A1FL	2GM,2ACL,2ACW	P-153997	A1JB	2DN,2NH	P-139990	A1LS	2AEE	P-139969			
A1FM	2ACU,2ACP,2GJ	P-155028	A1JC	2ABK,2HC	P-162307	A1LT	2HR,2TH	P-139965			
A1FN	2GN,2F,2GK	P-155126	A1JD	2NK,2ACW,2ABE	P-162328	A1LU	2T,2AH,2SA	P-135337			
A1FP	2G,2GY,2GK	See Fig. 34	A1JE	2ACN,2ASJ	P-162327	A1LW	2G,2DJ,2M	P-135058			
A1FR	2BC	P-155032	A1JF	2BH,2CF	P-162305	A1LY	2ACF	P-355735			
A1FS	2GP,2GP	See Fig. 35	A1JG	2GP,2N,2N	P-135058	A1MA	2CH,2TS,2UC	P-135058			
A1FT	2GP,2GR	See Fig. 36	A1JH	2N,2N	P-135401	A1MB	2BF,2BF,2BF	P-135058			
A1FU	2ABK,2ABK,2GR	See Fig. 37	A1JJ	2HA	P-139222	A1MC	2ACD	P-135167			
A1FW	2AB	P-155066	A1JK	2GF,2F	P-136269	A1MD	2TY	P-135168			
A1GA	2FP,2FP	P-139932	A1JL	2GA,2F	P-136269	A1ME	2GP,2N	P-136269			
A1GC	2HR,2CE	P-139965	A1JM	2NP,2N	P-135059	A1MF	2AP,2UD,2UD	P-135058			
A1GD	2JS,2JR,2HN	P-202903	A1JN	2ASH,2H	P-146040	A1MG	2G,2G	See Fig. 38			
A1GE	2JT,2HN,2JN	P-165858	A1JP	2NY,2PF	P-139990	A1MH	2G,2G	See Fig. 39			
A1GF	2GP,2HN,2GE	P-165859	A1JR	2ASL,2ASR	P-162327	A1MJ	2AP,2AP,2CH	See Fig. 40			
A1GG	2CU,2CU,2JP	P-165860	A1JS	2ASL,2AED	P-162305	A1MK	2DF	See Fig. 41			
A1GH	2HN	P-165861	A1JT	2EE,2PG	P-135401	A1ML	2AP	See Fig. 42			
A1GJ	2JS,2KE,2KF	P-165853	A1JU	2EE,2PK	P-135401	A1MM	2ASM,2ASP	P-204748			
A1GK	2JT,2BF,2GR	P-165854	A1JW	2T,2AH,2ET	P-135337	A1MN	2ASH,2UG	P-146040			
A1GM	2G,2BT,2JW	P-135058	A1JY	2GR,2AR,2BJ	P-165432	A1MP	2UH,2UH	P-204811			
A1GS	2KT,2KT	P-136269	A1KA	2PU,2DS,2DS	P-135058	A1MR	2G,2J,2MK	P-205086			
A1GU	2ADM,2N	P-135401	A1KB	2LJ,2LJ	P-139932	A1MS	2WA	P-139222			
A1GW	2CH	P-158100	A1KC	2F,2HT	P-135401	A1MT	2BF	P-139222			
A1GY	2LJ,2LJ,2HN	P-135058	A1KD	2DS,2PU	P-135401	A1MU	2HN,2GH,2HN	P-135058			
A1HA	2A,2LN	P-157817	A1KE	2GP,2BJ	P-135174	A1MW	2ABE,2GR	P-206382			
A1HB	2LS,2BG	P-135401	A1KF	2RJ,2ABF	P-135401	A1NA	2AL,2BF,2GP	P-207437			
A1HC	2LM,2HT	P-135401	A1KR	2GP	P-167702	A1NB	2DH,2ASN,2HC	P-208167			
A1HD	2LM,2HT	P-135401	A1KU	2FT,2TD	P-135401	A1NC	2WN,2ASC,2PF	P-208168			
A1HE	2LM,2HT	P-135401	A1LA	2SN	P-139222	A1ND	2AH,2WR,2WR	P-135058			
A1HF	2GD,2J	P-161945	A1LB	2HN,2HA	P-135401	A1NF	2ABK,2WU	P-135401			
A1HH	2MB	P-135167	A1LD	2F,2HT	P-139932	A1NG	2ABK,2ABH	P-136269			

† The key units are listed in the order in which they appear on the key from rear to front.
 †† Keytops come with standard engraving for the key except when otherwise specified in the table.

TABLE B (Cont)

KEY	†KEY UNIT	††KEYTOP	KEY	†KEY UNIT	††KEYTOP	KEY	†KEY UNIT	††KEYTOP	KEY	†KEY UNIT	††KEYTOP
A1NH	2WT,2WT	P-136269	A1RM	2FT,2HT	P-135401	A1TN	2AW,2GR	P-139932	A1TU	2ACU,2AGS,2ABU	P-355070
A1NJ	2GP	P-139222	A1RN	2ACE,2ACD	P-135401	A1TP	2HN,2HN	P-355043	A1TW	2AHC,2ABK,2ABK	P-355084
A1NK	2ACW,2NK,2ASL	P-207450	A1RP	2ADD,2ADD	P-213019	A1TR	2F,2ABK,2AGJ	P-355042	A1TY	2AHD,2AGT,2HA	P-255089
A1NL	2G,2AA,2YJ	P-135058	A1RR	2ADF,2ADF	P-135401	A1TS	2RU,2AL,2GR	P-355069	A1UA	2T,2P	P-355170
A1NM	2ABK,2ABH,2ABH	P-135058	A1RS	2SH,2ABB	P-213301	A1TT	2AFG,2ACN,2ABE	P-355134	A1UB	2T,2T,2AHJ	P-355131
A1NN	2ACY	P-135167	A1RT	2ACU,2ABU	P-213304	A1TU	2ACU,2AGS,2ABU	P-355070	A1UH	2SP	P-355058
A1NP	2HY	P-135167	A1RU	2AK,2ADH	P-135401	A1UW	2AHC,2ABK,2ABK	P-355084	A1UJ	2AGY,2AGW	P-355111
A1NR	2YS,2TD	P-135401	A1RW	2BF	P-214230	A1UY	2AHD,2AGT,2HA	P-255089	A1UK	2AHA,2AGY,2AGW	P-355092
A1NS	2LM,2YW	P-135401	A1RY	2LB,2LB,2SL	P-135058	A1UF	2T,2P	P-355170	A1UL	2ABE,2AHL	P-355095
A1NT	2DH,2DH,2DH	P-211359	A1SA	2GP,2GE	P-135401	A1UG	2T,2T,2AHJ	P-355131	A1UM	2AHD	P-355067
A1NW	2B	P-139222	A1SB	2GP	P-135168	A1UH	2SP	P-355058	A1UN	2BF,2AHB,2SP	P-355099
A1PB	2DH,2SH,2GR	P-135058	A1SC	2EE,2TK	P-135401	A1UD	2GN	P-355101	A1UP	2AHH,2AHG	P-355096
A1PC	2DH,2SH,2GP	P-135058	A1SD	2GR	P-135168	A1UE	2AHF,2AHF,2AHF	P-355112	A1UR	2AHE	P-355113
A1PD	2GR	See Fig. 43	A1SE	2ABU,2HA	P-139932	A1UF	2AHF	P-142856	A1US	2ACU,2AHE	P-355082
A1PE	2GP,2GR	See Fig. 44	A1SF	2ABD,2ABD	P-139932	A1UG	2GR,2HC	P-355059	A1UT	2AHN,2AHN	P-139932
A1PF	2ACK,2RB	P-135401	A1SG	2BF	P-135168	A1UH	2SP	P-355058	A1UU	2AHU,2AHT,2AHS	P-355257
A1PG	2AB,2BG	P-209073	A1SH	2ABY,2ABB	P-139932	A1UJ	2AGY,2AGW	P-355111	A1UW	2HE,2ABR,2AHP	P-135058
A1PH	2AL,2ACL,2ACL	P-209318	A1SJ	2JP,2GR	P-139932	A1UK	2AHA,2AGY,2AGW	P-355092	A1UY	2G,2AHW	P-135401
A1PJ	2AL,2ACP,2ACP	P-209225	A1SK	2AEM,2ABB	P-139932	A1UL	2ABE,2AHL	P-355095	A1WA	2ACC	P-135167
A1PK	2GP	See Fig. 45	A1SL	2AES	P-1399798	A1UM	2AHD	P-355067	A1WB	2AHU	P-355480
A1PL	2GP,2GP,2BJ	P-209300	A1SM	2AEB	P-140198	A1UN	2BF,2AHB,2SP	P-355099	A1WC	2ACU	P-355481
A1PM	2AA,2BN	P-135401	A1SN	2SH,2GC	P-216137	A1UP	2AHH,2AHG	P-355096	A1WD	2ABF	P-355482
A1PN	2CH,2GR	P-211375	A1SP	2ABU	P-135168	A1UR	2AHE	P-355113	A1WE	2ABK,2ACW	P-355483
A1PP	2ACW,2NK,2ASL	P-207450	A1SR	2HA	P-135168	A1US	2ACU,2AHE	P-355082	A1WF	2AJN	P-355570
A1PR	2ACW,2NK	P-211328	A1SS	2WT,2ABB	P-139932	A1UT	2AHN,2AHN	P-139932	A1WG	2ABK,2AEU	P-355576
A1PS	2AP,2ASH,2GD	P-211434	A1ST	2ABC,2DE,2JK	P-135038	A1UU	2AHU,2AHT,2AHS	P-355257	A1WH	2AFB,2GR	P-355571
A1PT	2CH	P-139222	A1SU	2AFJ,2AFK,2AFK	P-355003	A1UW	2HE,2ABR,2AHP	P-135058	A1WJ	2UB,2AFC	P-355574
A1PU	2GH,2GH,2HN	P-135058	A1SW	2AGG,2GR,2AFH	P-355002	A1UY	2G,2AHW	P-135401	A1WK	2AFG,2AJP	P-355577
A1PW	2ABC,2ABB	P-136269	A1SY	2AFL,2AFK,2AFK	P-355004	A1WA	2ACC	P-135167	A1WL	2ACN,2BJ	P-355575
A1PY	2ABB	P-135167	A1TA	2DH,2SH,2BD	P-135058	A1WB	2AHU	P-355480	A1WM	2DM,2ABK	P-355487
A1RA	2ABC,2DE	P-139932	A1TB	2WT,2AFS,2AHR	P-218699	A1WC	2ACU	P-355481			
A1RB	2ABC,2DE,2JP	P-135058	A1TC	2AFT,2AFS,2AHR	P-218697	A1WD	2ABF	P-355482			
A1RC	2ABD,2ABD	P-135401	A1TD	2ADC,2GR,2AFN	P-218698	A1WE	2ABK,2ACW	P-355483			
A1RD	2GN	P-139222	A1TE	2GN,2GN	See Fig. 46	A1WF	2AJN	P-355570			
A1RE	2BF	P-135167	A1TF	2AFU,2AFU,2AFU	See Fig. 47	A1WG	2ABK,2AEU	P-355576			
A1RF	2ABP,2U	P-132717	A1TG	2GN,2GN,2GN	See Fig. 48	A1WH	2AFB,2GR	P-355571			
A1RG	2ABT,2ABU	P-136269	A1TJ	2GP,2EK,2GP	P-230005	A1WJ	2UB,2AFC	P-355574			
A1RH	2ABC,2GR,2JP	P-135058	A1TK	2GP,2GP,2GP	P-135058	A1WK	2AFG,2AJP	P-355577			
A1RJ	2ABC,2GR	P-139932	A1TL	2AFY,2AFW	P-135059	A1WL	2ACN,2BJ	P-355575			
A1RK	2ABS,2ABR,2EL	P-135058	A1TM	2AGC,2AGB	P-139932	A1WM	2DM,2ABK	P-355487			

† The key units are listed in the order in which they appear on the key from rear to front.

†† Keytops come with standard engraving for the key except when otherwise specified in the table.

TABLE B (Cont)

KEY	†KEY UNIT	††KEYTOP	KEY	†KEY UNIT	††KEYTOP	KEY	†KEY UNIT	††KEYTOP	KEY	†KEY UNIT	††KEYTOP
A1WN	2ABK,2DM	P-355488	A1AAN	2AUL,2JN,2JN	P-463596	A2D	8H,2F,2U	P-132713	A2A	8A,8A,2F,2N	P-132714
A1WP	2ABK,2AL	P-355489	A1AAP	2ACN,2ARR,2KM	P-463597	A2E	8A,8K,2N	P-135169	A2B	8A,8K,2T	P-135169
A1WR	2ACC	P-135168	A1AAR	2ALD,2AGT,2HA	P-463598	A2F	8AA,8K,2AJ	P-135169	A2C	8A,8K,2F,2D	P-132714
A1WS	2AKB,2ABK,2AKC	P-355791	A1AAS	2ADJ,2AP,2HC	P-463599	A2G	8H,2N	P-135170	A2M	8A,8K,2EA,2N	P-132714
A1WT	2AFJ,2ABU,2AKL	P-355961	A1AAT	2ACL,2CN	P-463600	A2H	8J,8J,2BM	P-135169	A2N	8H,2EK	P-146094
A1WU	2AFL,2ABU,2AKL	P-355959	A1AAU	2SP,2ABE,2HG	P-463601	A2J	8J,8J,2ABK	P-135169	A2R	8A,8A,2F,2N	P-132714
A1WW	2AKJ, 2AHD,2ACN	P-355958	A1AAW	2WN,2ASC,2KM	P-208168	A2K	8J,8J,2CP	P-135169	A2T	8A,8K,2TD	P-135169
A1WY	2AHD,2AKH,2AKG	P-355960	A1AAY	2ADJ,2AP,2ACN	P-15A152	A2L	8A,8K,2F,2D	P-132714	A2U	8A,8A,2TD	P-135169
A1YA	2AGG,2AKK,2AFH	P-355002	A1ABA	2ACP,2HG	P-15A153	A2M	8A,8K,2EA,2N	P-132714	A2W	8A,8K,2F,2TD	P-132714
A1YB	2ALD,2ALC,2ALB	P-356041	A1ABB	2AUN,2AMM,2ARU	P-15A326	A2N	8H,2EK	P-146094	A2Y	8H,2F,2TD	P-132713
A1YC	2ABU,2AP,2AST	P-356070	A1ABC	2AR,2ALS	P-140272	A2R	8A,8A,2F,2N	P-132714	A2A	8A,8A,2N	P-135169
A1YD	2WT,2AP,2AST	P-356071	A1ABD	2AL,2ACL,2CN	P-389978	A2T	8A,8K,2T	P-135169	A2B	8H,2TD	P-135170
A1YE	2ABU,2AGT,2HA	P-355089	A1ABE	2AL,2ABE,2HG	P-389979	A2U	8A,8A,2TD	P-135169	A2C	1C,2EK,2A	P-156304
A1YF	2SP,2GR,2HC	P-356073	A1ABF	2WN,2ASC,2AFG	P-208168	A2V	8A,8K,2F,2TD	P-132714	A2E	8N,8P,2LM,2HT	P-157158
A1YG	2AP,2AP,2AP	See Fig. 49, 50	A1ABG	2ABE,2PF	P-15A153	A2W	8A,8K,2F,2TD	P-132714	A2F	8N,8P,2G,2JY	P-157967
A1YH	2BC,2JM	P-356203	A1ABH	2BF,2BF,2J	P-11A191	A2X	8A,8A,2N	P-135169	A2G	8N,8P,2G,2KA	P-157967
A1YJ	2ALR,2ALS	P-140272	A1ABJ	2BF,2BF	P-11A189	A2Y	8H,2TD	P-135170	A2H	8R,2KB	P-135170
A1YK	2ABE,2ALT	P-355095	A1ABK	2ART,2AR,2ALS	P-11A305	A2Z	8A,8K,2T	P-156304	A2I	8N,8P,2LM,2HT	P-157158
A1YL	2AMB,2AMB,2AMB	P-355112	A1ABL	2ASM,2HG	P-16A150	A2A	8A,8K,2F,2TD	P-132714	A2J	8A,8A,2C,2LT	P-161331
A1YM	2AME,2AME,2AME	P-135058	A1ABM	2F,2AUT	P-135059	A2B	8H,2F,2TD	P-132713	A2K	8T,8T	P-161015
A1YN	2AMM,2ALT	P-356299	A1ABN	2AU,2ASJ,2HA	P-463598	A2C	8N,8P,2G,2KA	P-157967	A2L	8T,8T,2AK,2MK	P-157967
A1YP	2AMS	P-356321	A1ABP	2AAK,2AHH,2AHG	P-48F221	A2D	8R,2KB	P-135170	A2M	8A,8A,2C,2AJ	P-161331
A1YR	2AHU,2AMW,2AHS	P-356368	A1ABR	2AWA,2JN,2JN	P-463596	A2E	8N,8P,2LM,2HT	P-157158	A2N	8A,8A,2C,2AJ	P-157158
A1YS	2APG,2APG	P-135401	A1ABS	2ACN,2ARR,2HJ	P-463597	A2F	8A,8K,2F,2TD	P-132714	A2P	8A,8A,2C,2AJ	P-157158
A1YT	2BC,2JM,2AHS	P-456210	A1ABT	2ADJ,2BJ,2HC	P-463599	A2G	8H,2TD	P-135170	A2Q	8A,8A,2C,2AJ	P-157158
A1YU	2G,2AA,2AHP	P-135058	A1ABU	2AUN,2AMM,2BJ	P-15A326	A2H	8T,8T,2AK,2MK	P-157967	A2R	8A,8A,2C,2AJ	P-161331
A1YW	2UU,2UU,2BF	P-135058	A1ABW	2WT,2AR,2ALS	P-48F219	A2I	8A,8A,2C,2AJ	P-157158	A2S	8A,8A,2C,2AJ	P-157158
A1YY	2JP	P-135168	A1ABY	2ACL,2AR	P-463600	A2J	8A,8A,2C,2AJ	P-157158	A2T	8N,2EE,2AJ	P-163645
A1AAA	2ABE,2ABE	P-140199	A1ACA	2AU,2AGT,2HA	P-463598	A2K	8A,8A,2C,2AJ	P-157158	A2U	8A,8A,2C,2AJ	P-157158
A1AAB	2ART,2MM,2ARU	P-477008	A1ACB	2WT,2ACU,2AHE	P-48F220	A2L	8A,8A,2C,2AJ	P-157158	A2V	8A,8A,2C,2AJ	P-157158
A1AAC	2ASW,2ASU,2ASA	P-218697	A1ACC	2AAK,2NC,2WN	P-40J146	A2M	8S,8T,2ACM	P-135169	A2W	8A,8A,2C,2AJ	P-135169
A1AAD	2WT,2ASU,2ASA	P-218699	A1ACD	2AAK,2NC,2CE	P-40J146	A2N	8A,8K,2N	P-135169	A2X	8A,8A,2C,2AJ	P-135169
A1AAE	2ASF	P-139222	A1ACE	2WN,2ARR,2HJ	P-44L367	A2P	8H,2N	P-135170	A2Y	8A,8A,2C,2AJ	P-135169
A1AAF	2ATH,2ATJ,2ATK	P-218697	A1ACF	2AWL,2AHH,2AHC	P-48F221	A2Q	8N,2AK,2HT	P-163645	A2Z	8A,8A,2C,2AJ	P-135169
A1AAG	2SP,2AR,2HC	P-356073	A1ACG	2UH,2AKU	840271142	A2R	8A,8A,2C,2AJ	P-157158	A2A	8A,8A,2C,2AJ	P-157158
A1AAH	2JM,2ASR,2AHS	P-462348	A1ACH	2AR,2RF,2AR	84073684	A2S	8A,8A,2C,2AJ	P-157158	A2B	8A,8A,2C,2AJ	P-157158
A1AAJ	2ACU,2AUG,2ARK	P-463424	A1ACI	2AT,2AL,2EA	84036859	A2T	8A,8A,2C,2AJ	P-157158	A2C	8A,8A,2C,2AJ	P-157158
A1AAK	2AR,2AF,2C	P-355069	A2A	8A,8K,2F,2N	P-132714	A2U	8A,8A,2C,2AJ	P-157158	A2D	8A,8A,2C,2AJ	P-157158
A1AAL	2AFG,2ACN,2AUH	P-463423	A2B	8A,8K,2F,2U	P-132714	A2V	8A,8A,2C,2AJ	P-157158	A2E	8A,8A,2C,2AJ	P-157158
A1AAM	2AEU,2ACP,2ACP	P-463562	A2C	8H,2F,2N	P-132713	A2W	8A,8A,2C,2AJ	P-157158	A2F	8A,8A,2C,2AJ	P-157158

† The key units are listed in the order in which they appear on the key from rear to front.
 †† Keytops come with standard engraving for the key except when otherwise specified in the table.

TABLE B (Cont)

KEY	†KEY UNIT	††KEYTOP	KEY	†KEY UNIT	††KEYTOP	KEY	†KEY UNIT	††KEYTOP
A2BP	8Y,8AD,2ACM	P-161331	A5P	2SL,2LG,2LB	P-164991	A13F2	2L	P-162154
A2BR	8U,8T,2ACM	P-206998	A5R	2LC,2LB	P-161796	A13F3	2L	P-162154
A2BS	8A,8W,2ACK,2RB	P-157967	A5S	2TM,2LB,2LB	P-164991	A13G1	2L	P-162146
A2BU	8N,8N	P-209601	A5T	2SL,2LB,2LB	P-164991	A13G2	2L	P-162146
A2BW	8AE,8AE,2FT,2HT	P-157158	A5U	2ACF,2ACF,2ALH	P-355932	A13G3	2L	P-162146
A2BY	8T,2GW,2GP	P-214247	A5W	2ACF,2MB,2ALH	P-458337	A13J	2HA	P-162406
A2CA	8A,8C,2F,2N	P-132714	A5Y	2ASY,2ASY,2ALH	P-458337	A13K	2HA	P-162407
A2CB	8B,2F,2N	P-132713	A8A1	2ABF	P-162146	A13L	2HA	P-162865
A2CC	8A,8C,2N	P-135169	A8A2	2ABF	P-162146	A13M	2HA	P-162577
A2CD	8B,2N	P-135170	A8A3	2ABF	P-162146	A13N	2HA	P-162334
A2CE	8N,2EE,2TK	P-163645	A8B1	2ABG	P-162146	A13P	2HA	P-162310
A2CF	8A,8C,2N	P-135169	A8B2	2ABG	P-162146	A15A	2JD	P-153379
A2CG	8B,2N	P-135170	A8B3	2ABG	P-162146	A15B	2JD	P-153379
A2CH	8Y,8S,2ACM	P-215608	A8C1	2ABH	P-162146	A15C	2JD	P-211569
A2CJ	8E,8F,2N	P-135169	A8C2	2ABH	P-162146	A17B	8R	P-163540
A2CK	8E,8F,2F,2N	P-132714	A8C3	2ABH	P-162146	A17C	8P,8P	P-209818
A2CL	8E,8D,2N	P-135169	A8D1	2ABJ	P-162146	A18A	2LK,2KA	P-158501
A2CM	8Y,8AD,2ACM	P-218871	A8D2	2ABJ	P-162146	A18B	2LK,2KA	P-158501
A2CN	8Y,8AD,2ACM	P-161331	A8D3	2ABJ	P-162146	A18C	2LK,2KA	P-158501
A2CP	8D,8F,2ACK,2RB	P-157967	A8E1	2RC	P-162146	A18D	2F,2KA	P-158501
A2CR	8B,2ACK,2RB	P-163645	A8E2	2RC	P-162146	A18E	2F,2KA	P-158501
A2CS	8T,2EK,2GP	P-220022	A8E3	2RC	P-162146	A18F	2F,2KA	P-158501
A2CT	8D,8F,2AFY,2AFW	P-132714	A8G1	2ABK	P-162310	A18G	2JD	P-161002
A2CU	8B,2AFY,2AFW	P-132713	A8G2	2ABK	P-162310	A18H	2JD	P-161002
A2CW	8R,8R,2AGR	P-161331	A8G3	2ABK	P-162310	A18J	2JD	P-161002
A2CY	8R,8R,2AGR	P-218877	A8H1	2ABH	P-162310	A18K	2LK,2KA	P-158501
A2DA	8N,2G,2AHW	P-163645	A8H2	2ABH	P-162310	A18L	2LK,2KA	P-158501
A2DB	8AB,8AC,2GY,2AHW	P-157158	A8H3	2ABH	P-162310	A18M	2LK,2KA	P-158501
A2DC	8N,8N,2AME,2AME	P-157158	A8J	2ABL	P-162310	A18N	2F,2KA	P-158501
A2DD	8A,8A,2N	P-161331	A8K	2ABM	P-162310	A18P	2F,2KA	P-158501
A4A	3B	P-153591	A8L	2AJJ	P-355512	A18R	2F,2KA	P-158501
A4B	3B,2GW	P-155901	A8M	2AJM	P-355597	A18S	2JD	P-161002
A4C	3B,2HA	P-156336	A11	(See Page 41)		A18T	2JD	P-161002
A4F	2A,2FR	P-157307	A13C1	2MN	P-162146	A18U	2JD	P-161002
A4G	2LD,2LD,2LD	P-164991	A13C2	2MN	P-162146	A18W	2YR	P-208264
A4H	2LC,2LB	P-161796	A13C3	2MN	P-162146	A18Y	2YR	P-161002
A4J	2KU,2KU	P-161796	A13D1	2MN	P-162154	A18AA	2LK,2ACD	P-211491
A4K	2ACP,2ACT	P-157307	A13D2	2MN	P-162154	A18AB	2LK,2ACC	P-211491
A4L	2PR,2LB,2LB	P-164991	A13D3	2MN	P-162154	A18AC	2LK,2HT	P-211491
A4N	2LE	P-168624	A13F1	2L	P-162154	A18AD	2LK,2ACC	P-158501

† The key units are listed in the order in which they appear on the key from rear to front.
 †† Keytops come with standard engraving for the key except when otherwise specified in the table.

TABLE B (Cont)

KEY	†KEY UNIT	††KEYTOP	KEY	†KEY UNIT	††KEYTOP	KEY	†KEY UNIT	††KEYTOP	KEY	†KEY UNIT	††KEYTOP
A18AE	2ACF	P-211992	A37B	2AL	P-12B766	B1BK	2GS,2GP	P-157178	B1BK	2GS,2GP	P-157178
A18AH	2ABK	P-356074	B1C	2DD,2TD	P-136559	B1BL	2BC,2HN	P-157223	B1BL	2BC,2HN	P-157223
A18AJ	2LK,2HT	P-158501	B1D	2CK,2D	P-136559	B1BM	2HM,2GP	P-157171	B1BM	2HM,2GP	P-157171
A18AK	2ACH	P-212115	B1F	2AS	P-136558	B1BN	2CE,2HN	P-157182	B1BN	2CE,2HN	P-157182
A18AL	2ACE,2ACD	P-212126	B1G	2AC,2AC	P-136679	B1BP	2HF,2GR	P-157874	B1BP	2HF,2GR	P-157874
A18AM	2ABK,2AGJ	P-355585	B1H	2AC,2AC	P-136679	B1BR	2HG,2HH	P-157290	B1BR	2HG,2HH	P-157290
A18AN	2F,2BC	P-355586	B1J	2AC	P-136678	B1BS	2HJ,2HJ	P-157352	B1BS	2HJ,2HJ	P-157352
A18AP	2ACY	P-355596	B1K	2AC	P-136678	B1BT	2HL,2HL	P-157170	B1BT	2HL,2HL	P-157170
A18AR	2AFF,2AJS	P-355795	B1L	2AD	P-136678	B1BU	2HP,2ADR	P-136559	B1BU	2HP,2ADR	P-136559
A18AS	2AFF,2AJS	P-355926	B1M	2AE	P-136678	B1BW	2GE	P-158091	B1BW	2GE	P-158091
A18AT	2ALF,2ALG	P-355795	B1W	2F,2TD	P-136559	B1BY	2BG,2GR	P-158271	B1BY	2BG,2GR	P-158271
A18AU	2ALF,2ALG	P-355926	B1AA	2F,2BS	P-136679	B1CA	2F,2ADR	P-136559	B1CA	2F,2ADR	P-136559
A18AW	2ABK,2AGJ	P-355927	B1AB	2DK,2DK	P-136679	B1CB	2CB	P-136678	B1CB	2CB	P-136678
A18AY	2ACF	P-356074	B1AC	2DP,2DP	P-136679	B1CC	2ACK,2CB	P-136679	B1CC	2ACK,2CB	P-136679
A18BA	2BN,2BN	P-211491	B1AD	2GE	P-146323	B1CL	2HA	P-146323	B1CL	2HA	P-146323
A18BB	2APD	P-355596	B1AE	2ED	P-136678	B1CT	2KP,2NR	P-163258	B1CT	2KP,2NR	P-163258
A18BC	2APD,2APD	P-458101	B1AF	2ED	P-136678	B1CU	2NS,2F	P-163388	B1CU	2NS,2F	P-163388
A18BD	2ARF,2ARF	P-211491	B1AG	2ED,2ED	P-136679	B1CW	2HP,2ADS	P-136559	B1CW	2HP,2ADS	P-136559
A18BE	2ATA	P-356074	B1AH	2ED,2ED	P-136679	B1CY	2F,2ADS	P-136559	B1CY	2F,2ADS	P-136559
A18BF	2AFF,2GN	P-355795	B1AJ	2CL	P-146323	B1DA	2PC,2PC	P-164780	B1DA	2PC,2PC	P-164780
A18BG	2AFF,2GN	P-355926	B1AK	2EF	P-136678	B1DB	2LL,2HW	P-164826	B1DB	2LL,2HW	P-164826
A20A	2G,2BT,2JW	P-166859	B1AL	2EM,2EM	P-136679	B1DC	2GE,2CG	P-164843	B1DC	2GE,2CG	P-164843
A20B	8N,2UU,2BF,2GR	P-166859	B1AM	2EM,2EM	P-157170	B1DD	2ET,2CN	P-136559	B1DD	2ET,2CN	P-136559
A20C	8N,2UU,2BF,2ABK	P-166859	B1AN	2F,2EF	P-136679	B1DE	2RA,2SB	P-136559	B1DE	2RA,2SB	P-136559
A26A	5P,5P	P-355080	B1AP	2HC,2HD	P-156869	B1DF	2GW,2T	P-166522	B1DF	2GW,2T	P-166522
A29A	2ACY	P-355934	B1AR	2BS	P-136678	B1DM	2SM,2TD	P-136559	B1DM	2SM,2TD	P-136559
A31A	2ACW,5N,5N	P-135058	B1AS	2BL,2BL	P-136679	B1DN	2GP,2SU	P-201742	B1DN	2GP,2SU	P-201742
A31B	2ASG,5N,5N	P-135058	B1AT	2FT,2ADP	P-164479	B1DT	2DU,2MN	P-202983	B1DT	2DU,2MN	P-202983
A32A	5N,5N,5N	P-135058	B1AU	2F,2ADP	P-164482	B1DU	2AH	P-203073	B1DU	2AH	P-203073
A33A	2AMU,2ABT,5J	P-135058	B1AW	2FW,2ADP	P-164480	B1DW	2A,2A	P-136679	B1DW	2A,2A	P-136679
A35A	2ACF,2ABK,2AGJ	P-458087	B1AY	2BW,2ADP	P-164481	B1DY	2GP,2SU	P-205688	B1DY	2GP,2SU	P-205688
A35B	2APD,2APD,2APD	P-458152	B1BA	2GD,2ACN	P-153622	B1EA	2ABK	P-205303	B1EA	2ABK	P-205303
A35C	2ACE,2ABK,2AGJ	P-458087	B1BB	2ACP	P-155022	B1EB	2UP,2WW	P-205755	B1EB	2UP,2WW	P-205755
A35D	2APD	P-458402	B1BC	2ACL,2ACW	P-155140	B1EC	2US,2UR	P-205781	B1EC	2US,2UR	P-205781
A35E	2ATR,2APY	P-460117	B1BD	2GL,2GJ	P-155179	B1ED	2UU,2G	P-205889	B1ED	2UU,2G	P-205889
A35F	2ATR,2ACY	P-460118	B1BE	2GT,2GK	P-153955	B1EE	2UW	P-205861	B1EE	2UW	P-205861
A35G	2ATR	P-460121	B1BF	2GN	P-155149	B1EF	2AP,2WG	P-136679	B1EF	2AP,2WG	P-136679
A35H	2ABR,2ABR,2ACW	P-12B565	B1BG	2F,2N	P-155591	B1EG	2WB	P-136678	B1EG	2WB	P-136678
A35J	2AL,2EE	P-12B535	B1BH	2HE,2HE	See Fig. 51	B1EH	2WJ	P-136678	B1EH	2WJ	P-136678
A37A	2EE	P-12B766	B1BJ	2KW,2G	P-157238	B1EJ	2WK	P-136678	B1EJ	2WK	P-136678

† The key units are listed in the order in which they appear on the key from rear to front.

†† Keytops come with standard engraving for the key except when otherwise specified in the table.

TABLE B (Cont)

KEY	†KEY UNIT	††KEYTOP	KEY	†KEY UNIT	††KEYTOP	KEY	†KEY UNIT	††KEYTOP
B1EK	2GY,2WH	P-136679	B1GM	2ADB,2ADB	P-136679	B1JM	2AJB,2AJA	P-355051
B1EL	2EG	P-136678	B1GN	2SH,2ABB	P-213322	B1JN	2AJD,2AJC	P-136559
B1EM	2WL	P-136678	B1GP	2ACU,2ABU	P-213305	B1JP	2GD	P-355178
B1EN	2ACS	P-136678	B1GR	2JP,2GR	P-136679	B1JR	2AL,2AL	P-355458
B1EP	2WK,2WK	P-136679	B1GS	2ABY,2ABB	P-136679	B1JS	2AJH,2AJF	P-136679
B1ER	2LS,2F	P-136679	B1GT	2AEM,2ABB	P-136679	B1JT	2EE,2AJF	P-136679
B1ES	2YA,2WY	P-207383	B1GU	2HP,2AEK	P-136559	B1JU	2AJG,2AJF	P-136679
B1ET	2PB,2TL	P-207377	B1GW	2SH,2GC	P-216339	B1JW	2GN	P-136678
B1EU	2A,2LN	P-207310	B1GY	2AER,2AEP	P-217608	B1JY	2ACC	P-136678
B1EW	2GR,2GP	P-207337	B1HA	2AEY,2AEW	P-136559	B1KA	2AFS,2AHR	P-355785
B1EY	2GP,2A	P-207374	B1HB	2GP,2GP	P-216679	B1KB	2AJT,2AHR	P-355786
B1FA	2F	P-207360	B1HC	2GE,2GR	P-216680	B1KC	2WT,2AFN	P-355787
B1FB	2HN,2YB	P-207369	B1HD	2GP,2AEU	P-216793	B1KD	2AJY,2GR	P-355788
B1FC	2YC	P-207382	B1HE	2AFG,2AFF	P-216974	B1KE	2AJW,2AJU	P-136679
B1FD	2HN	P-136678	B1HF	2AFB,2AFA	P-216794	B1KF	2ABU,2AKA	P-355792
B1FE	2A	P-136678	B1HG	2DM,2GP	P-216795	B1KG	2ABH,2AKD	P-136679
B1FF	2GP	P-208621	B1HH	2AEB	P-216709	B1KH	2UU	P-136678
B1FG	2HA	P-136678	B1HJ	2GH	P-216796	B1KJ	2ALE,2ALE	P-355877
B1FH	2GR	P-208872	B1HK	2GP,2AL	P-216976	B1KK	2AHN,2AKM	P-136679
B1FJ	2CH	P-208892	B1HL	2GP,2GR	P-216710	B1KL	2AKY,2BD	P-355954
B1FK	2AP	P-208872	B1HM	2UB,2AFC	P-216797	B1KM	2AKT,2J	P-355952
B1FL	2AP,2AP	See Fig. 52	B1HN	2GY,2SU	P-136679	B1KN	2KP,2ALA	P-355957
B1FM	2ABA,2AAAY	P-211155	B1HP	2EE,2GR	P-136679	B1KP	2AKU,2ABF	P-355955
B1FN	2EE	P-136678	B1HR	2AFE,2AFD	P-136679	B1KR	2GR,2AKP	P-355953
B1FP	2EE,2EG	P-136679	B1HS	2WT,2ABB	P-136679	B1KS	2AKR,2AKS	P-355951
B1FR	2HC,2GP	P-208966	B1HT	2JK	P-136679	B1KT	2EE,2AKW	P-355956
B1FS	2AAM	P-136678	B1HU	2AFM,2AAT	P-136679	B1KU	2AKY,2GR	P-355950
B1FT	2GY,2AAN	P-136679	B1HW	2AFM,2AFM	P-136679	B1KW	2F,2ALJ	P-136679
B1FU	2ABB	P-136678	B1HY	2AGE,2AGD	P-136679	B1KY	2RB,2ALJ	P-136679
B1FW	2ABC,2ABB	P-136679	B1JA	2AGC,2AGB	P-136679	B1LA	2AJD,2ALJ	P-136679
B1FY	2BF	P-136678	B1JB	2AW,2GR	P-136679	B1LB	2ALL,2ALK	P-136679
B1GA	2JP,2ABC†	P-136679	B1JC	2AGH,2AEW	P-136559	B1LC	2AGH,2ALM	P-136559
B1GB	2ABC	P-136678	B1JD	2GP,2AGL	P-355137	B1LD	2G,2B	P-136679
B1GC	2DE	P-136678	B1JE	2BG,2AGK	P-355050	B1LE	2AMF,2AKW	P-356292
B1GD	2GN	P-136678	B1JF	2GR,2DR	P-355051	B1LF	2AMJ,2AMK	P-136679
B1GE	2HA	P-136678	B1JG	2AK,2AGP	P-355068	B1LG	2HE,2GN	P-136679
B1GF	2JE	P-211509	B1JH	2HA	P-355178	B1LH	2ABE	P-136678
B1GG	2GR	P-136678	B1JJ	2ABK	P-136678	B1LJ	2AP	P-136678
B1GK	2ADA	P-136678	B1JK	2AHN,2AHM	P-136679	B1LL	2AKU,2ANA	P-356359
B1GL	2ADB,2AAT	P-136679	B1JL	2ABF,2AHY	P-355050	B1LM	2CJ	P-136678

† The key units are listed in the order in which they appear on the key from rear to front.
 †† Keytops come with standard engraving for the key except when otherwise specified in the table.

TABLE B (Cont)

KEY	†KEY UNIT	††KEYTOP	KEY	†KEY UNIT	††KEYTOP	KEY	†KEY UNIT	††KEYTOP	KEY	†KEY UNIT	††KEYTOP
B1LN	2AKR,2AMY	P-355951	B1NP	2EE,2APU	P-12B326	B14A	2CH	P-201710			
B1LP	2ACP,2ANG	P-356565	B1NR	2GR,2APU	P-12B566	B14B	2AGA	P-216949			
B1LR	2ANF,2ANE	P-356528	B1NS	2APG,2APG	P-12B517	B15A	2FW,5B	P-201871			
B1LS	2J	P-136678	B1NT	2ABH,2APS	P-12B567	B15C	2TE,5B	P-201872			
B1LT	2ANY,2ANW	P-136659	B1NW	2GR	P-49F165	B15D	2F,5B	P-206952			
B1LU	2APB	P-136678	B1NY	2C,2JB	P-40J178	B15E	2AAU,5B	P-201872			
B1LW	2ANT	P-136678	B1PB	2HW,2APD	P-40J180	B15F	5G,2ADC	P-136679			
B1LY	2SP,2APC	P-136679	B1PC	2GN,2APD	P-40J181	B15G	2CL,5J	P-136679			
B1MA	2NT,2SP	P-136679	B1PE	2BH,2GN	P-40J183	B15H	2ADC,5G	P-136679			
B1MB	2APG,2APG	P-136679	B1PG	2AJH	P-40J185	B15J	2AFM,5G	P-136679			
B1MC	2APH,2APH	P-136679	B1PH	2AWE,2AB	P-40J186	B17A	8T,2EK	P-205094			
B1MD	2AHS,2ACN	P-470520	B1PN	2AWF,2AWG	P-40J191	B18A	2HA	P-206557			
B1ME	2HK,2HK	P-136679	B1PP	2AWH,2AL	P-40J192	B18B	2ACS	P-206557			
B1MF	2GR,2BF	P-471438	B1PS	2ANW,2ANG	P-136679	B18C	2WL	P-206557			
B1MG	2APT,2APS	P-471437	B1PT	2AGC,2JB	P-44L733	B18D	2ACM	P-206557			
B1MH	2APW,2APU	P-471439	B1PW	2ANG	P-40J190	B18E	2ADA	P-206557			
B1MJ	2GR,2AEC	P-472267	B1PY	2BF,2ABT	P-40V212	B18F	2ADA	P-212829			
B1MK	2JK,2JK	P-136679	B1RA	2AWD	P-40V706	B18G	2ADA	P-216999			
B1ML	2GR,2ABK	P-136679	B1RB	2MB,2C	P-40V705	B18H	2ADA	P-206557			
B1MM	2JP,2ABK	P-136679	B1RC	2ARE,2C	840269294	B18J	2ADA	P-206557			
B1MN	2JP,2CT	P-136679	B1RD	2BF,2BD	841061345	B18K	2AGR	P-206557			
B1MP	2ARK	P-136678	B1RE	2C,2AWD	841737908	B18L	2GN	P-206557			
B1MR	2ABK	P-477671	B1RF	2BJ	841881487	B18M	2ACC	P-206557			
B1MS	2HA,2ABK	P-477674	B2A	3A,3A	P-141466	B18N	2ACC	P-216999			
B1MT	2ACN,2EE	P-477990	B2B	3B	P-141467	B18P	2EE	P-206557			
B1MU	2ATM,2ABK	P-136679	B2C	3A,3B	P-162202	B18R	2ARK	P-206557			
B1MW	2HE,2ABB	P-136679	B2D	3A	P-201097	B19A	8N,8N	P-209624			
B1MY	2DH	P-136678	B2E	3A,3A	P-201123	B20A	3G,5K	P-216949			
B1NA	2WB	P-136678	B2F	3A,3A	P-202952	C1A	2AC	P-136334			
B1NB	2ANW	P-136678	B2G	3B	P-208976	C1B	2AD	P-136334			
B1NC	2AL,2AL	P-136679	B2H	3B,3A	P-216272	C1C	2AE	P-136334			
B1ND	2AL	P-11B196	B2J	3B	P-355220	C1D	2AC	P-136334			
B1NE	2ACU	P-11B197	B5,P6,P7,B8	(See Page 41)		C1E	2BL	P-136334			
B1NF	2ALT,2WR	P-11B198	B9A	3B,2HA	P-163656	C1F	2BA	P-136334			
B1NG	2ACP,2YC	P-11B199	B9B	3B,2GD	P-163656	C1G	2C	P-136334			
B1NJ	2ABT	P-11B604	B9C	3B,2SH	P-163656	C1H	2A	P-136334			
B1NK	2WT	P-11B603	B9D	3B,2HA	P-355203	C1K	2EF	P-136334			
B1NL	2WT,2CL	P-11B602	B9E	3B,2GR	P-355998	C1L	2DC	P-136334			
B1NM	2BF	P-11B697	B10A	5A,5A	P-136679	C1M	2CP	P-136334			
B1NN	2ABU,2ABT	P-11B698	B10B	5N,5N	P-136679	C1N	2BD	P-136334			

† The key units are listed in the order in which they appear on the key from rear to front.
 †† Keytops come with standard engraving for the key except when otherwise specified in the table.

TABLE B (Cont)

KEY	†KEY UNIT	††KEYTOP	KEY	†KEY UNIT	††KEYTOP	KEY	†KEY UNIT	††KEYTOP	KEY	†KEY UNIT	††KEYTOP
C1P	2CP	P-136334	C1BT	2UU	P-157239	C1EA	2MU	P-136334	C1EP	2JB	P-164178
C1R	2CJ	P-136334	C1BU	2BK	P-157259	C1EB	2JK	P-136334	C1ER	2JB	P-164102
C1S	2DH	P-136334	C1BW	2JG	P-157353	C1EC	2NA	P-161382	C1ES	2BH	P-164254
C1T	2ED	P-136334	C1BY	2JH	P-157288	C1ED	2EE	P-136334	C1EU	2CH	P-136334
C1U	2ED	P-136334	C1CA	2GR	P-157297	C1EE	2NE	P-136334	C1EW	2PY	P-147978
C1W	2BS	P-136334	C1CB	2A	P-156881	C1EF	2HK	P-136334	C1EY	2AEC	P-156278
C1Y	2EM	P-136334	C1CC	2AK	P-157305	C1EG	2NF	P-158882	C1FA	2AC	P-149410
C1AA	2EW	P-136334	C1CD	2LR	P-157568	C1EJ	2GH	P-136334	C1FB	2PT	P-162866
C1AB	2EY	P-136334	C1CE	2GP	P-157306	C1EK	2NL	P-136334	C1FC	2PW	P-136334
C1AC	2EN	P-136334	C1CF	2GP	P-157319	C1EL	2NM	P-162867	C1FD	2JK	P-166205
C1AD	2FA	P-136334	C1CG	2JJ	P-157557	C1EP	2JB	P-164178	C1FE	2EC	P-166211
C1AE	2FB	P-136334	C1CH	2GP	P-157286	C1ER	2JB	P-164102	C1FF	2MU	P-166226
C1AF	2ADT	P-148722	C1CJ	2GR	P-157821	C1ES	2BH	P-164254	C1FG	2MU	P-166189
C1AG	2FH	P-136334	C1CK	2JE	P-136334	C1EU	2CH	P-136334	C1FH	2LL	P-136334
C1AH	2Y	P-147978	C1CL	2JM	P-136334	C1EW	2PY	P-147978	C1FJ	2AL	P-166838
C1AJ	2DG	P-147979	C1CM	2KC	P-157954	C1EY	2AEC	P-156278	C1FK	2RM	P-156123
C1AK	2ADU	P-149410	C1CN	2KD	P-132717	C1FA	2AC	P-149410	C1FL	2RL	P-166278
C1AL	2ADW	P-149410	C1CP	2GP	P-158040	C1FB	2PT	P-162866	C1FM	2FM	P-167836
C1AM	2CH	P-147978	C1CR	2NT	P-162818	C1FC	2PW	P-136334	C1FR	2SF	P-168764
C1AN	2FL	P-152928	C1CS	2GR	P-162819	C1FD	2JK	P-166205	C1FS	2AB	P-168870
C1AP	2EE	P-136334	C1CT	2KS	P-162820	C1FE	2EC	P-166211	C1FT	2SG	P-136334
C1AR	2FM	P-136334	C1CU	2BG	P-162821	C1FF	2MU	P-166226	C1FU	2SH	P-136334
C1AS	2FN	P-136334	C1CW	2LE	P-136334	C1FG	2MU	P-166189	C1FW	2SJ	P-136334
C1AT	2FP	P-136334	C1CY	2LB	P-136334	C1FH	2LL	P-136334	C1FY	2HN	P-136334
C1AU	2FS	P-149989	C1DA	2LG	P-136334	C1FJ	2AL	P-166838	C1GA	2SP	P-136334
C1AW	2EF	P-136334	C1DB	2LH	P-136334	C1FK	2RM	P-156123	C1GB	2SR	P-136334
C1AY	2GA	P-152928	C1DC	2F	P-136334	C1FL	2RL	P-166278	C1GC	2Y	P-169749
C1BA	2AEF	P-152987	C1DD	2JB	P-158801	C1FM	2FM	P-167836	C1GF	2ST	P-148722
C1BB	2GC	P-153037	C1DE	2LL	P-158882	C1FR	2SF	P-168764	C1GG	2GH	P-201186
C1BC	2ACP	P-153075	C1DF	2BG	P-158881	C1FS	2AB	P-168870	C1GH	2SS	P-201205
C1BD	2GP	P-155277	C1DG	2LP	P-158883	C1FT	2SG	P-136334			
C1BE	2GU	P-155315	C1DH	2DN	P-158802	C1FU	2SH	P-136334			
C1BF	2DH	P-155589	C1DK	2BF	P-136334	C1FW	2SJ	P-136334			
C1BH	2G	P-155342	C1DM	2BJ	P-136334	C1FY	2HN	P-136334			
C1BJ	2AEA	P-156123	C1DR	2P	P-161332	C1GA	2SP	P-136334			
C1BK	2GG	P-156278	C1DS	2GE	P-161574	C1GB	2SR	P-136334			
C1BL	2F	P-156291	C1DT	2GE	P-161718	C1GC	2Y	P-169749			
C1BM	2HW	P-136334	C1DU	2GE	P-161588	C1GF	2ST	P-148722			
C1BN	2HY	P-157289	C1DW	2GP	P-161608	C1GG	2GH	P-201186			
C1BR	2JB	P-136334	C1DY	2EC	P-136334	C1GH	2SS	P-201205			

† The key units are listed in the order in which they appear on the key from rear to front.

†† Keytops come with standard engraving for the key except when otherwise specified in the table.

TABLE B (Cont)

KEY	†KEY UNIT	††KEYTOP	KEY	†KEY UNIT	††KEYTOP	KEY	†KEY UNIT	††KEYTOP	KEY	†KEY UNIT	††KEYTOP
C1GL	2SY	P-136334	C1JM	2YF	P-136334	C1LN	2ABF	P-355006			
C1GM	2TA	P-136334	C1JN	2YG	P-136334	C1LP	2AGN	P-136334			
C1GN	2TB	P-136334	C1JP	2YK	P-136334	C1LR	2AGM	P-136334			
C1GP	2TE	P-156278	C1JR	2WU	P-136334	C1LS	2WR	P-136334			
C1GR	2TF	P-153037	C1JT	2YL	P-136334	C1LU	2AJE	P-136334			
C1GS	2ABF	P-136334	C1JU	2SL	P-136334	C1MB	2AKN	P-136334			
C1GT	2TT	P-136334	C1JW	2KT	P-207695	C1MD	2ALY	P-136334			
C1GU	2GD	P-136334	C1JY	2YN	P-136334	C1ME	2AMD	P-136334			
C1GW	2GE	P-136334	CIKA	2YT	P-136334	C1MF	2ALU	P-136334			
C1GY	2FW	P-203922	CIKB	2SS	P-136334	C1MG	2B	P-136334			
C1HA	2GH	P-203917	CIKC	2AAA	P-136334	C1MH	2AMC	P-136334			
C1HB	2TU	P-162866	CIKD	2YY	P-136334	C1MJ	2AP	P-136334			
C1HC	2TW	P-162867	CIKE	2YU	P-136334	C1MK	2AML	P-136334			
C1HD	2ACK	P-136334	CIKF	2AAB	P-136334	C1ML	2AMT	P-136334			
C1HE	2UA	P-136334	CIKG	2AAG	P-209829	C1MM	2ANB	P-136334			
C1HF	2UB	P-136334	CIKH	2AAF	P-209829	C1MN	2ANC	P-136334			
C1HG	2SN	P-136334	CIKJ	2AAE	P-156278	C1MP	2ANL	P-136334			
C1HH	2EJ	P-153037	CIKK	2AAH	P-136334	C1MR	2ANM	P-136334			
C1HJ	2UE	P-204747	CIKL	2AUS	P-136334	C1MS	2ANS	P-136334			
C1HK	2GH	P-204745	CIKM	2AAK	P-136334	C1MT	2ANT	P-136334			
C1HL	2UF	P-136334	CIKN	2AAJ	P-156278	C1MU	2ANU	P-136334			
C1HM	2UJ	P-136334	CIKP	2AAP	P-136334	C1MW	2APA	P-136334			
C1HN	2JK	P-205105	CIKR	2AAR	P-136334	C1MY	2KM	P-136334			
C1HR	2UL	P-136334	CIKS	2AAS	P-156278	C1NA	2ACM	P-136334			
C1HS	2UM	P-136334	CIKT	2AAW	P-136334	C1NB	2APL	P-136334			
C1HT	2UN	P-136334	CIKU	2ABE	P-211654	C1NC	2ARC	P-136334			
C1HU	2YD	P-205792	CIKW	2CL	P-136334	C1ND	2ARD	P-136334			
C1HW	2UY	P-136334	CIKY	2ABW	P-136334	C1NE	2ARL	P-136334			
C1HY	2WE	P-136334	CILA	2GP	P-136334	C1NF	2ARM	P-136334			
C1JA	2WF	P-136334	CILB	2PY	P-136334	C1NG	2ATC	P-478466			
C1JB	2KW	P-136334	CILC	2ACC	P-211712	C1NH	2ATG	P-478597			
C1JC	2WP	P-136334	CILD	2ACG	P-136334	C1NJ	2AAY	P-478480			
C1JD	2WS	P-136334	CILE	2ACJ	P-136334	C1NK	2ANS	P-478486			
C1JE	2WT	P-136334	CILF	2UU	P-136334	C1NL	2SP	P-478487			
C1JF	2WD	P-207308	CILG	2ADG	P-136334	C1NM	2DM	P-478597			
C1JG	2AP	P-136334	CILH	2ADE	P-136334	C1NN	2ATP	P-136334			
C1JH	2YE	P-136334	CILJ	2ADJ	P-136334	C1NP	2ABG	P-483620			
C1JH	2YH	P-136334	CILK	2ADY	P-136334	C1NR	2SP	P-483605			
C1JK	2YM	P-136334	CILL	2AEL	P-136334	C1NS	2EF	P-44C298			
C1JL	2JP	P-136334	CILM	2BF	P-153037	C1NT	2ANW	P-136334			

† The key units are listed in the order in which they appear on the key from rear to front.
 †† Keytops come with standard engraving for the key except when otherwise specified in the table.

TABLE B (Cont)

KEY	†KEY UNIT	††KEYTOP	KEY	†KEY UNIT	††KEYTOP	KEY	†KEY UNIT	††KEYTOP	KEY	†KEY UNIT	††KEYTOP
C1NU	2ABW	P-485078	G1B	2AAT,2GR	P-457469	G1BB	2APG,2APG	P-12B430			
C1NW	2AFT	P-485077	G1C	2GR	P-457471	G1BC	2GR,2GR	P-457469			
C1NY	2AJY	P-485076	G1D	2BF	P-457461	G1BD	2GR,2GR	P-12B431			
C1PA	2AUJ	P-485084	G1E	2ABK	P-457474	G1BE	2RM	P-458926			
C1PB	2AUK	P-485083	G1F	2ACP	P-457471	G1BF	2ARG,2ARG	P-457246			
C1PC	2UF	P-485159	G1G	2ABK,2ABK	P-457469	BIBG	2ATC	P-12B432			
C1PD	2LR	P-485084	G1H	2ARE,2GN	P-457469	BIBH	2GR,2GR	P-457246			
C1PE	2WT	P-485078	G1J	2JK,2JK	P-457469	G1BJ	2GR,2ARG	P-457246			
C1PF	2AUW	P-136334	G1K	2GR,2WU	P-457469	G1BK	2ARG,2WU	P-457246			
C1PG	2JK	P-49F157	G1L	2ARH,2GR	P-457469	G1BL	2GR,2ARG	P-12B433			
C1PH	2UU	P-49F158	G1M	2GR,2AL	P-457469	G1BM	2GR,2AWJ	P-40V204			
C1PJ	2UU	P-49F159	G1N	2APT,2APS	P-457246	G1BN	2GR,2AWJ	P-40V206			
C1PK	2EW	P-49F160	G1P	2GR,2AEC	P-457246	G1BP	2ARG	P-40V206			
C1PL	2BF	P-49F161	G1R	2GR,2BF	P-458149	G1BR	2PB	P-40V727			
C1PM	2BF	P-49F162	G1S	2ARG	P-457471	G1BS	2ARG	P-457474			
C1PN	2JP	P-49F163	G1T	2ARW	P-458926	G2A	2ABU,8U,8U	P-457476			
C1PP	2SS	P-49F144	G1U	2ABH	P-457461	G2B	8U,8U	P-457477			
C1PR	2AWB	P-136334	G1W	2ATB	P-478004	G2C	2EK,8T	P-457683			
C1PS	2UU	P-44L460	G1Y	2ATD,2ATC	P-457246	G2D	8Y,2ABF	P-462537			
C1PT	2UU	P-40V196	G1AA	2ATD,2ATF	P-457469	G2E	8AF	P-462536			
C1PU	2UU	P-40V202	G1AB	2GR	P-457471	G2F	8T,2ARG	P-40J346			
C3A	5A	P-136334	G1AC	2ATF	P-457471	G6A	2AUA	P-462542			
C3B	5B	P-136334	G1AD	2CU	P-457474	G6B	—	P-462686			
C3C	5C	P-136334	G1AE	2ATG,2ATG	P-457246	G6C	2AAT,2C	P-462933			
C3D	5D	P-136334	G1AF	2ABK	P-457471	G6D	2C	P-462542			
C3E	5E	P-136334	G1AG	2HA,2ABK	P-457469	G6E	2C,2AAT	P-462933			
C3F	5F	P-136334	G1AH	2AJD,2AUD	P-457246	G6F	2C	P-463452			
C3G	5M	P-136334	G1AJ	2AUA	P-457471	G6G	2ARG	P-463452			
C3H	5N	P-136334	G1AK	2ACT,2ARG	P-457469						
C3J	5R	P-136334	G1AL	2HA	P-457474						
C3K	5T	P-136334	G1AM	2GR,2GR	P-457469						
C7A	2AEG	P-215116	G1AN	2GR	P-457474						
C7B	2SH	P-215116	G1AP	2GR,2AAT	P-457469						
C7C	2AJL (Left)	P-215116	G1AR	2GR	P-457474						
	2AJK (Right)		G1AS	2AW,2LL	P-457246						
C7D	2JP (Left)	P-215116	G1AT	2SP,2AJM	P-16A127						
	2HE (Right)		G1AU	2GR,2ABK	P-457469						
C7E	2AMN (Left)	P-215116	G1AW	2AUD,2AUD	P-457246						
	2AMP (Right)		G1AY	2GR,2ARG	P-47C315						
G1A	2SP,8AJM	P-457246	G1BA	2ATC	P-47C316						

† The key units are listed in the order in which they appear on the key from rear to front.

†† Keytops come with standard engraving for the key except when otherwise specified in the table.

TABLE B (Cont)

KEY	KEY BASE AND MOUNTING STUD	††KEYTOP	KEY	PLUNGER ROD ASSEMBLY (LISTED, REAR TO FRONT)	††KEYTOP	KEY	PLUNGER ROD ASSEMBLY (LISTED, REAR TO FRONT)	††KEYTOP
A11A1	P-161457	P-161931	B5A	P-155380	P-153320	B7R	P-11B761	P-77B717
A11A2	P-161457	P-161991	B5B	P-155381	P-153320	B8A	P-157540	P-161022
A11A3	P-161457	P-161931	B5C	P-162186	P-153320	B8B	P-161939	P-161022
A11B1	P-161457	P-146695	B6A	P-162188	P-153321	B8C	P-161939	P-167482
A11B2	P-161457	P-146695	B6B	P-162186	P-153321	B8D	P-161939	P-167527
A11B3	P-161457	P-146695	B6C	P-162188	P-206133	B8E	P-161939	P-475909
A11C	P-161157	P-162142	B6D	P-155381	P-206133	B8F	P-161939	P-476072
A11D	P-161157	P-161912	B7A	P-162186	P-153390			
A11E	P-161157	P-161158	B7B	P-162186	P-157620			
A11F	P-161157	P-162278	B7C	P-162188	P-153390			
A11G	P-161157	P-161901	B7D	P-157540				
A11H	P-161157	P-161473	B7E	P-157540	P-157620			
A11J	P-161157	P-161489	B7F	P-157538	P-153390			
A11K	P-161157	P-161158	B7G	P-161939				
A11M	P-161157	P-162142	B7H	P-161939	P-157620			
A11N	P-161157	P-161912	B7J	P-161939	P-212197			
A11R	P-161157	P-161158	B7K	P-161939	P-212197			
A11S	P-161157	P-167484	B7L	P-161939	P-355578			
A11T	P-161157	P-167640	B7M	P-161939	P-355578			
A11U	P-161157	P-167825	B7N	P-157538	P-355572			
A11W	P-161157	P-168305	B7P	P-161939	P-355572			
A11Y	P-161157	P-161489						
A11AA	P-203252	P-203171						
A11AB	P-203252	P-203384						
A11AC	P-169539	P-203416						
A11AD	P-169539	P-169532						
A11AE	P-169539	P-203385						
A11AF	P-203252	P-207284						
A11AG	P-203252	P-213238						
A11AH	P-169539	P-214510						
A11AJ	P-169539	P-214511						
A11AK	P-169539	P-214512						
A11AL	P-169539	P-214513						
A11AM	P-169539	P-214514						
A11AN	P-161157	P-167640						
A11AP	P-161157	P-167825						
A11AR	P-203252	P-203171						
A11AS	P-169539	P-457136						

†† Keytops come with standard engraving for the key except when otherwise specified in the table.

TABLE C

KEYTOPS FOR A6-, A7-, A10-, A27-, A28-, A30-, A34-, A36-, B3-, B22-, B23-, B25-, B26-, C2-, C5-, C6-, E6-, G3-, G4-, AND G7-TYPE KEYS

KEY	†KEYTOP	KEY	†KEYTOP	KEY	†KEYTOP	KEY	†KEYTOP
A6A1	P-146615	A10K2	P-161579	A10AH3	P-217607	C2T	P-155187
A6A2	P-146615	A10K3	P-161579	A10AJ	P-161931	C2U	P-155187
A6A3	P-146615	A10M1	P-161931	A27A	P-355797	C2W	P-155188
A6D1	P-146656	A10M2	P-161931	A28A	P-355910	C2Y	P-155188
A6D2	P-146656	A10M3	P-161931	A28B	P-356067	C2AA	P-155188
A6D3	P-146656	A10N1	P-209223	A30A	*	C5A	P-155187
A6H1	P-146690	A10N2	P-209223	A34A	P-456898	C5B1	P-155187
A6H2	P-146690	A10N3	P-209223	A34B	P-456897	C5B2	P-155187
A6H3	P-146690	A10P1	P-161931	A36A	P-477074	C5B3	P-155187
A6L1	P-209197	A10P2	P-161931	A36B	P-477074	C6A1	P-155187
A6L2	P-209197	A10P3	P-161931	A36C	P-482240	C6A2	P-155187
A6L3	P-209197	A10R1	P-161947	B3A1	P-161442	C6A3	P-155187
A6N1	P-209223	A10R2	P-161947	B3A2	P-161442	C6B1-2-3	P-155188
A6N2	P-209223	A10R3	P-161947	B3A3	P-161442	E6A	P-371887
A6N3	P-209223	A10S1	P-161931	B3C1	P-161442	E6B	P-451215
A6P1	P-209197	A10S2	P-161931	B3C2	P-161442	G3A	P-457452
A6P2	P-209197	A10S3	P-161931	B3C3	P-161442	G3B	P-457452
A6P3	P-209197	A10T1	P-209197	B3D1	P-214938	G3C	P-459144
A6R1	P-161947	A10T2	P-209197	B3D2	P-214938	G3D	P-459145
A6R2	P-161947	A10T3	P-209197	B3D3	P-214938	G3E	P-457452
A6R3	P-161947	A10U1	P-213126	B3E1	P-214740	G3H	P-462541
A6S1	P-212537	A10U2	P-213126	B3E2	P-214740	G3J	P-452587
A6S2	P-212537	A10U3	P-213126	B3E3	P-214740	G3K	P-457452
A6S3	P-212537	A10W1	P-212537	B3F	P-214740	G3L	P-457452
A6T1	P-212674	A10W2	P-212537	B22A	P-355902	G3M	P-48C705
A6T2	P-212674	A10W3	P-212537	B22B	P-355902	G3N	P-48C704
A6T3	P-212674	A10Y1	P-213206	B23A	P-355940	G3P	P-48F308
A7A1	P-146695	A10Y2	P-213206	B23B	P-356048	G3S	P-459144
A7A2	P-146695	A10Y3	P-213206	B23C	P-356047	G3T	P-459144
A7A3	P-146695	A10AA	P-213382	B23D	P-356044	G3U	P-459145
A10A1	P-161579	A10AB1	P-214227	B25A	P-475542	G4A	P-457431
A10A2	P-161579	A10AB2	P-214227	B26A	P-479011	G4B	P-457431
A10A3	P-161579	A10AB3	P-214227	B26B	P-479011	G7A	P-48F334
A10C1	P-146615	A10AC1	P-214228	B26C	P-479011		
A10C2	P-146615	A10AC2	P-214228	C2A	P-155187		
A10C3	P-146615	A10AC3	P-214228	C2B	P-155187		
A10D1	P-161755	A10AD1	P-214227	C2C	P-155187		
A10D2	P-161755	A10AD2	P-214227	C2D	P-155188		
A10D3	P-161755	A10AD3	P-214227	C2E	P-155188		
A10F1	P-146656	A10AE1	P-214228	C2F	P-155188		
A10F2	P-146656	A10AE2	P-214228	C2G	P-155188		
A10F3	P-146656	A10AE3	P-214228	C2H	P-155188		
A10G1	P-161947	A10AF1	P-146690	C2J	P-155188		
A10G2	P-161947	A10AF2	P-146690	C2K	P-155187		
A10G3	P-161947	A10AF3	P-146690	C2L	P-155187		
A10H1	P-146690	A10AG1	P-161947	C2M	P-155187		
A10H2	P-146690	A10AG2	P-161947	C2N	P-155188		
A10H3	P-146690	A10AG3	P-161947	C2P	P-155188		
A10J	P-161489	A10AH1	P-217607	C2R	P-155188		
A10K1	P-161579	A10AH2	P-217607	C2S	P-155187		

† Keytops come with standard engraving for the key except when otherwise specified in the table.

* A-318653 Det 1.

TABLE D

KEYTOP, LEVER, AND PLUNGER, AND PLUNGER SPRINGS FOR A9- AND A14-TYPE KEYS

KEY	KEYTOP	LEVER AND PLUNGER	SPRINGS (PLUNGER SPRINGS — SEE FIG. 4B)			
			POS A	POS B	POS C	POS D
A9A1-2-3	P-163782	P-355358	P-213277	P-148239	P-389785	P-213276
A9B1-2-3	P-163782	P-355358	P-213277	P-148239	P-148333	P-213276
A9C1-2-3	P-163782	P-355358	P-213277	P-148239	P-148333	P-213276
A9D1-2-3	P-164260	P-355358	P-213277	P-148239	P-148333	P-213276
A9E1-2-3	P-164167	P-355450	P-148288	P-148239	P-148288	P-148287
A9F1-2-3	P-164387	P-355450	P-148288	P-148239	P-148288	P-148287
A9G1-2-3	P-164260	P-355450	P-148333	P-148334	P-148288	P-148239
A9H1-2-3	P-163782	P-355358	P-213277	P-148287	P-389785	P-213276
A9J1-2-3	P-163782	P-355358	P-213277	P-148239	P-148333	P-213276
A9K1-2-3	P-163782	P-355358	P-213277	P-148239	P-389785	P-213276
A9L1-2-3	P-164260	P-355358	P-213277	P-148239	P-389785	P-213276
A9M1-2-3	P-163782	P-355450	P-389785	P-148239	P-389785	P-148239
A9N1-2-3	P-164167	P-355358	P-167448	P-204410	P-44C300	P-203697
A9P1-2-3	P-163782	P-355358	P-167448	P-204410	P-44C300	P-203697
A9R1-2-3	P-164167	P-355358	P-147916	P-148239	P-389785	P-148287
A9S1-2-3	P-164167	P-355358	P-213277	P-148239	P-389785	P-213276
A9T1-2-3	P-163782	P-355358	P-389785	P-148239	P-148333	P-148287
A9U1-2-3	P-163782	P-163905	P-213277	P-148239	P-148333	P-213276
A9W1-2-3	P-164260	P-163781	P-148333	P-148239	P-148333	P-148239
A9Y1-2-3	P-163782	P-355450	P-148333	P-148239	P-148333	P-148239
A9AA1-2-3	P-164167	P-355450	P-148333	P-148239	P-148333	P-148239
A9AB1-2-3	P-163782	P-355358	P-167448	P-148239	P-389784	P-203697
A9AC1-2-3	P-164167	P-355358	P-167448	P-148239	P-389784	P-203697
A14A1-2-3	P-163782	P-355450	P-148288	P-148239	P-148333	P-148334
A14B1-2-3	P-163782	P-355450	P-148288	P-148239	P-148333	P-148334
A14C1-2-3	P-163782	P-355358	P-158593	P-148239	P-148332	P-148334
A14D1-2-3	P-163782	P-355358	P-158593	P-148239	P-148332	P-148334
A14E1-2-3	P-164098	P-355450	P-148288	P-148239	P-148333	P-148334
A14F1-2-3	P-164098	P-355450	P-148288	P-148239	P-148333	P-148334
A14G1-2-3	P-164098	P-355358	P-158593	P-148239	P-148332	P-148334
A14H1-2-3	P-164098	P-355358	P-158593	P-148239	P-148332	P-148334
A14J1-2-3	P-164167	P-355450	P-148332	P-148239	P-148333	P-148287
A14K1-2-3	P-163782	P-355450	P-148332	P-148239	P-148333	P-148287
A14L1-2-3	P-164387	P-355450	P-148332	P-148239	P-148333	P-148287
A14M1-2-3	P-164098	P-355450	P-148332	P-148239	P-148333	P-148287
A14N1-2-3	P-164167	P-355358	P-213277	P-148239	P-148333	P-213276
A14P1-2-3	P-163782	P-355358	P-213277	P-148239	P-148333	P-213276
A14R1-2-3	P-164260	P-355450	P-148288	P-148239	P-148333	P-148334
A14S1-2-3	P-164260	P-355358	P-158593	P-148239	P-148332	P-148334
A14T1-2-3	P-164390	P-355450	P-148288	P-148239	P-148333	P-148334
A14U1-2-3	P-164390	P-355358	P-158593	P-148239	P-148332	P-148334
A14W1-2-3	P-163782	P-355450	P-148288	P-148239	P-148333	P-148334
A14Y1-2-3	P-163782	P-355358	P-158593	P-148239	P-148332	P-148334
A14AA1-2-3	P-164098	P-355450	P-148288	P-148239	P-148333	P-148334
A14AB1-2-3	P-164098	P-355358	P-158593	P-148239	P-148332	P-148334
A14AC1-2-3	P-164260	P-355450	P-148288	P-148239	P-148333	P-148334
A14AD1-2-3	P-164260	P-355358	P-158593	P-148239	P-148332	P-148334
A14AE1-2-3	P-164390	P-355450	P-148288	P-148239	P-148333	P-148334
A14AF1-2-3	P-164390	P-355358	P-158593	P-148239	P-148332	P-148334

TABLE E

PLUNGER ROD ASSEMBLY FOR E-TYPE KEYS (SEE TABLE F)

KEY*	REPLACING KEY	UNIT POSITION FROM FRONT	PLUNGER ROD	KEY*	REPLACING KEY	UNIT POSITION FROM FRONT	PLUNGER ROD
E1D	E1AJ	1-10	P-161600	E1T	E1BA	1-10	P-161600
E1E	E1AK	9-10	P-161600	E1U	E1BB	1-4	P-161603
E1F	E1AL	1-10	P-161600			6-10	P-161600
E1G	E1AM	1-10	P-161600	E1W	E1BD	1-10	P-161600
E1H	E1BS	1-3	P-161603	E1AA	E1BF	1-2	P-161600
		5-10	P-161600			3-10	P-161603
E1J	E1AN	1-2	P-161603	E1AB	E1BG	1-10	P-161600
		5-6	P-161600	E1AC	E1BH	1-10	P-161603
E1K	E1AP	1-3	P-161603			2-6	P-161600
		5-10	P-161600	E1AD	E1BJ	1-10	P-161600
E1L	E1AR	1-8	P-161600	E1AF	E1BK	1-10	P-161603
E1M	E1AS	1-10	P-161600	E1AF	E1BL	1-5	P-161600
E1N	E1AT	1-2	P-161600			8-10	P-161603
		3-10	P-161603	E1AG	E1BM	1-5	P-161603
E1P	E1AU	1-10	P-161600			6-7	P-161600
E1R	E1AW	8-10	P-161600	E1AH	E1BN	1-2	P-161600
E1S	E1AY	1-2	P-161600			3-10	P-161603
		3-10	P-161603				

* Order parts as listed for replacing key except plunger rod and buttons.

TABLE F
PLUNGER ROD, LOCKING PLATE, KEYTOP, AND SPRINGS FOR E-TYPE KEYS (SEE TABLE E)

KEY	UNIT POS FROM FRONT	LOCKING PLATE	KEYTOP	PLUNGER ROD	SPRINGS (KEY SPRINGS — NUMBERED FROM LEFT TO RIGHT — SEE FIG. 13)								SPRINGS (COMMON CONTACT SPRINGS)	
					1	2	3	4	5	6	7	8		
E1AJ	1-10	P-169058	P-134717	P-162151	P-153339	P-153339	P-153339	P-153339	P-153338	P-153342	P-153338			
E1AK	9-10	P-169058	P-158900	P-162151	P-153339	P-153339	P-153339	P-153338	P-153338	P-153338	P-153338			††
E1AL	1-10	P-204667	P-134717	P-162151	P-153339	P-153339	P-153339	P-153344	P-153343	P-153343	P-153343			
E1AM	1-10	P-169056	P-134717	P-162151	P-153339	P-153339	P-153339	P-153339	P-153338	P-153339	P-153338			
E1AN	1	P-169056	P-158902	P-162196	P-153339	P-153339	P-153339	P-153339	P-153338	P-153339	P-153338			
	2			P-162196	P-153339	P-153339	P-153339	P-134761	P-153346	P-153347	P-153346			
	3			P-162196	P-153346	P-153346	P-153346	P-154761	P-153346	P-153347	P-153346			
E1AP	5-6	P-169056	P-158903	P-162151	P-153339	P-153339	P-153339	P-153339	P-153338	P-153339	P-153338			
	1			P-162196	P-153339	P-153339	P-153339	P-153339	P-153339	P-153339	P-153338			
	2			P-162196	P-153339	P-153339	P-153339	P-134761	P-153346	P-153347	P-153346			
	3			P-162196	P-153346	P-153346	P-153346	P-134761	P-153346	P-153347	P-153346			
E1AR	5-10			P-162196	P-153339	P-153339	P-153339	P-153339	P-153338	P-153339	P-153338			
E1AS	1-8	P-169056	P-158904	P-162151	P-153339	P-153339	P-153339	P-153338	P-153339	P-153339	P-153338			†††
E1AT	1-10	P-204667	P-134717	P-162151	P-153339	P-153339	P-153339	P-153338	P-153338	P-153339	P-153338			
	1			P-162151	P-153339	P-153339	P-153339	P-153339	P-153338	P-153339	P-153338			
	2			P-162151	P-153339	P-153339	P-153339	P-134761	P-153346	P-153347	P-153346			
	3-7			P-162196	P-153348	P-153348	P-153348	P-153344	P-153344	P-153348	P-153348			
E1AU	8-10	P-204667	P-153399	P-162196	P-134742	P-134742	P-134742	P-134764	P-134764	P-134764	P-134764			
	1-5			P-162151	P-153339	P-153339	P-153339	P-153339	P-153338	P-153339	P-153338			†††
	8-9			P-162196	P-153339	P-153339	P-153339	P-153339	P-153344	P-153344	P-153343			
E1AW	10			P-162196	P-153339	P-153339	P-153339	P-153339	P-153338	P-153339	P-153338			
	8-9	P-169058	P-158906	P-162151	P-153339	P-153339	P-153339	P-153344	P-153343	P-153343	P-153338			
	10			P-162151	P-153339	P-153339	P-153339	P-153339	P-153338	P-153339	P-153338			
E1AY	1	P-169058	P-158907	P-162151	P-153339	P-153339	P-153339	P-153339	P-153339	P-153339	P-153338			
	2			P-162151	P-153339	P-153339	P-153339	P-134761	P-153346	P-153347	P-153346			
	3,4,7			P-162196	P-153348	P-153348	P-153348	P-153344	P-153344	P-153348	P-153348			
E1BA	8-10			P-162196	P-134742	P-134742	P-134742	P-134764	P-134764	P-134764	P-134764			
E1BB	1-10	P-204667	P-134717	P-162151	P-153339	P-153339	P-153339	P-153344	P-153343	P-153343	P-153338			††
	1-4	P-169056	P-161003	P-162196	P-134742	P-134742	P-134742	P-134764	P-134764	P-134764	P-134764			
	6-10			P-162151	P-153339	P-153339	P-153339	P-153339	P-153338	P-153339	P-153338			
E1BD	1-10	P-204667	P-134717	P-162151	P-153342	P-153342	P-153342	P-153343	P-153344	P-153344	P-153343			†††
E1BF	1	P-169058	P-158909	P-162151	P-153339	P-153339	P-153339	P-153339	P-153339	P-153339	P-153338			
	2			P-162151	P-153339	P-153339	P-153339	P-134761	P-153346	P-153347	P-153346			
	3-7			P-162196	P-153348	P-153348	P-153348	P-153344	P-153344	P-153348	P-153348			
	8-10			P-162196	P-134752	P-134752	P-134752	P-134742	P-134742	P-134742	P-134742			

† Order springs equipped with P-125342 separator.
 †† Order springs (common contact springs) as follows:
 P-153352 (spring in position 1 — see Fig. 13)
 P-153351 (spring in position 2 — see Fig. 13)
 ††† Order springs (common contact spring) as follows:
 P-156435 (spring in position 1 — see Fig. 13)
 P-156434 (spring in position 2 — see Fig. 13)
 * Order spring equipped with P-107109 separator.

TABLE F (Cont)

KEY	UNIT POS FROM FRONT	LOCKING PLATE	KEYTOP	PLUNGER ROD	SPRINGS (KEY SPRINGS -- NUMBERED FROM LEFT TO RIGHT -- SEE FIG. 13)								SPRINGS (COMMON CONTACT SPRINGS)		
					1	2	3	4	5	6	7	8			
E1BG	1-10	P-169058	P-134717	P-162151	P-153338	P-153338	P-153338	P-153338	P-153339	P-153347					
E1BH	1	P-169058	P-158910	P-162196	*P-134741	*P-153348	P-153348	P-153347	P-153347	P-153347					
	2-5			P-162151	P-153339	P-153339	P-153339	P-153339	P-153339	P-153338					
	6			P-162151	P-153338	P-153338	P-153338	P-153338	P-153339	P-153347					
	10			P-162196	*P-134741	*P-153346	P-153346	P-153346	P-153347	P-153347					
E1BJ	1-10	P-204667	P-134717	P-162151	P-153338	P-153339	P-153339	P-153339	P-153338	P-153342	P-153338				††
E1BK	1-10	P-169061	P-134717	P-162196	P-153338	P-153339	P-153339	P-153339	P-153343	P-153348					††
E1BL	1-5	P-204667	P-153399	P-162151	P-153338	P-153339	P-153339	P-153339	P-153339	P-153347					
	8			P-162196	P-153347	P-153348	P-153348	P-153348	*P-153344	P-153348					
	9			P-162196	P-153338	P-153339	P-153339	P-153339	†P-153344	P-153342					
	10			P-162196	P-153338	P-153339	P-153339	P-153339	P-153338						
E1BM	1	P-169056	P-158959	P-162196	*P-134741	*P-153344	P-153344	P-153344	P-153347						
	2			P-162151	P-134741	P-153339	P-153339	P-153339	P-153347						
	3-6			P-162151	P-153338	P-153339	P-153339	P-153339	P-153348						
	7			P-162196	*P-134741	*P-153346	P-153346	P-153347	P-153347						
E1BN	1	P-169058	P-161003	P-162151	P-153338	P-153339	P-153339	P-153338	P-153338						
	2			P-162151	P-153338	P-153339	P-153339	P-153346	P-153346						
	3-4,6-7			P-162196	P-153347	P-153348	P-153348	*P-153344	P-153344						
	8-10			P-162196	P-153338	P-153339	P-153339	P-153338	P-153338						
E1BP	1-2	P-169058	P-158911	P-162151	P-134785	P-134777	P-134777	*P-134762	*P-134762	P-134777					
	10			P-162196	P-134785	P-134777	P-134777	*P-134762	*P-134762	P-134777					
E1BR	1-5	P-204667	P-158912	P-162151	P-134764	P-134742	P-134742	P-134764	P-134764						†††
	10			P-162196	P-134785	P-134777	P-134777	*P-134762	*P-134762	P-134777					
E1BS	1	P-169056	P-158901	P-162196	P-153338	P-153339	P-153339	P-153338	P-153339						
	2			P-162196	P-153338	P-153339	P-153339	*P-134761	*P-153346	P-153347					
	3			P-162196	P-153347	P-153346	P-153346	*P-134761	*P-134761	P-153346					
	5-7,10			P-162151	P-153338	P-153339	P-153339	P-153339	P-153338						
E1BT	1	P-169058	P-158905	P-162151	P-134741	P-153339	P-153339	P-153338	P-153338						
	2			P-162151	P-153338	P-153339	P-153339	P-153339	P-153338						
E1BU	1-10	P-204667	P-134717	P-162151	P-153338	P-153339	P-153339	†P-153344	P-153343	P-153342					††
E1BW	1-2	P-204667	P-163892	P-162151	P-153347	P-153348	P-153348	*P-153344	*P-153344	P-153348					†††
E1BY	1-10	P-204667	P-134717	P-162151	P-153347	P-153348	P-153348	*P-153344	*P-153344	P-153348					†††
E1CA	1-10	P-204667	P-134717	P-162151	P-153338	P-153342	P-153342	†P-153344	†P-153344	†P-153344			P-153342		†††
E1CB	1-10	P-204667	P-134717	P-162151	P-153347	P-153348	P-153348	*P-153344	*P-153344	P-153348			P-153347		†††
E1CC	1-4	P-204667	P-158908	P-162151	P-153347	P-153348	P-153348	*P-153344	*P-153344	P-153348			P-153347		†††

† Order springs equipped with P-125342 separator.

†† Order springs (common contact springs) as follows:

P-156435 (spring in position 1 — see Fig. 13)

P-156434 (spring in position 2 — see Fig. 13)

††† Order springs (common contact spring) as follows:

P-156017 (spring in position 1 — see Fig. 13)

P-156019 (spring in position 2 — see Fig. 13)

* Order spring equipped with P-107109 separator.

† Order spring equipped with P-162992 separator.

TABLE F (Cont)

KEY	UNIT POS FROM FRONT	LOCKING PLATE	KEYTOP	PLUNGER ROD	SPRINGS (KEY SPRINGS — NUMBERED FROM LEFT TO RIGHT — SEE FIG. 13)								SPRINGS (COMMON CONTACT SPRINGS)	
					1	2	3	4	5	6	7	8		
E1CD	1-4	P-204667	P-158908	P-162151	P-153347	P-153348	*P-153344	*P-153344	P-153344	P-153348	P-153347			†††
E1CF	1-10	P-204667	P-134717	P-162151	P-153338	P-153339	P-153339	P-153338	P-153338	P-153339	P-153338			
E1CG	1-10	P-169056	P-134717	P-162151	P-153338	P-153339	*P-153344	*P-153344	P-153343	P-153342	P-153338			†††
E1CH	1-7	P-204667	P-158959	P-162151	P-153347	P-153348	*P-153344	*P-153344	P-153344	P-153348	P-153347	†P-163004		
E1CJ	1-2	P-169056	P-163892	P-162151	P-153338	P-153339	P-153339	P-153338	P-153338	P-153339	P-153338			
E1CK	1-5	P-204667	P-134717	P-162151	P-153338	P-153339	P-153339	P-153338	P-153338	P-153342	P-153338			
	6-9			P-162196	P-153338	P-153339	*P-153344	*P-153344	P-153343	P-153338	P-153338			
	10			P-162196	P-153338	P-153339	P-153339	P-153338	P-153339	P-153338	P-153338			
E1CL	1-10	P-169056	P-134717	P-162151	P-153338	P-153342	P-153343	†P-153344	†P-153344	P-153343	P-153342			
E1CM	. 1	P-169058	P-168073	P-162151	P-153338	P-153339	P-153339	P-153338	P-153338	P-153339	P-153342			P-153338
	2			P-162151	P-153338	P-153339	*P-134761	P-153346	P-153346	P-153347	P-153347			
	3,5,7			P-162196	P-153347	P-153338	*P-153344	*P-153344	*P-153344	P-153338	P-153347			
	8-10			P-162196	P-153338	P-153339	P-153339	P-153338	P-153338	P-153339	P-153338			
E1CN	1-5	P-204667	P-207359	P-162151	P-153338	P-153339	P-153339	P-153338	P-153338	P-153339	P-153338			††
E1CP	1-2	P-169056	P-158959	P-162196	P-134741	P-153339	P-153339	P-153338	P-153338	P-153339	P-153338			
	3			P-162151	P-153339	P-153339	P-153339	P-153338	P-153338	P-153339	P-153347			
	4-7			P-162151	P-153338	P-153339	*P-153344	P-153344	P-153348	P-153347	P-153348			
E1CR	1-10	P-204667	P-134717	P-162151	P-153347	P-153348	*P-153344	*P-153344	P-153348	P-153348	P-153347			P-162994
E1CS	1-2)			P-162151	P-153347	P-153348	*P-153344	*P-153344	P-153348	P-153348	P-153347			
	4-5)			P-162151	P-153338	P-153339	*P-153344	P-153344	P-153348	P-153347	P-153347			†††
	3			P-162151	P-153347	P-153348	*P-153344	†P-153344	†P-153344	P-153343	P-153342			
	8			P-162196	P-153338	P-153339	†P-153344	†P-153344	P-153343	P-153342	P-153338			
	10			P-162196	P-153338	P-153339	P-153339	P-153338	P-153339	P-153338	P-153338			
	1-3)			P-162196	P-153338	P-153339	P-153339	P-153338	P-153339	P-153338	P-153338			
E1CT	5,9)	P-204667	P-134717	P-162151	P-153338	P-153339	*P-153344	P-153348	P-153348	P-153347	P-153347			†††
	8			P-162151	P-153338	P-153342	P-153343	†P-153344	†P-153344	†P-153344	P-153343			P-153338
	4,6)			P-162151	P-153347	P-153348	*P-153344	†P-153344	†P-153344	P-153343	P-153342			
	7-10)			P-162151	P-153338	P-153339	*P-153344	P-153348	P-153348	P-153347	P-153338			
E1CU	1-3,5,6	P-204667	P-134717	P-162151	P-153338	P-153339	*P-153344	P-153348	P-153348	P-153347	P-153342			
	4,7,)			P-162151	P-153338	P-153339	P-153339	†P-153344	†P-153344	†P-153344	P-153343			
	8,10)			P-162151	P-153347	P-153348	*P-153344	†P-153344	†P-153344	P-153343	P-153342			†††
E1CW	9			P-162151	P-153338	P-153342	P-153343	†P-153344	†P-153344	†P-153344	P-153343			P-153338
	1-3,5,6	P-204667	P-134717	P-162151	P-153338	P-153339	*P-153344	P-153348	P-153348	P-153347	P-153342			
	4,7,8,10			P-162151	P-153347	P-153348	*P-153344	†P-153344	†P-153344	†P-153344	P-153343			P-153338
	9			P-162151	P-153338	P-153342	P-153343	†P-153344	†P-153344	†P-153344	P-153343			P-153338

† Order springs equipped with P-125342 separator.
 †† Order springs (common contact springs) as follows:
 P-153352 (spring in position 1 — see Fig. 13)
 P-153351 (spring in position 2 — see Fig. 13)
 ††† Order springs (common contact spring) as follows:
 P-156435 (spring in position 1 — see Fig. 13)
 P-156434 (spring in position 2 — see Fig. 13)
 * Order spring equipped with P-107109 separator.
 † Order spring equipped with P-162992 separator.

TABLE F (Cont)

KEY	UNIT POS FROM FRONT	LOCKING PLATE	KEYTOP	PIUNGER ROD	SPRINGS (KEY SPRINGS — NUMBERED FROM LEFT TO RIGHT — SEE FIG. 13)								SPRINGS (COMMON CONTACT SPRINGS)	
					1	2	3	4	5	6	7	8		
E1CY	1-5	P-169058	P-207359	P-162151	P-153347	P-153348	*P-153344	*P-153344	*P-153344	P-153348	P-153347			
E1DA	1-6	P-169061	P-355329	P-162196	P-134741	P-153339	P-153338	P-153338	P-153338	P-153339	P-153347			
E1DB	1-3) 5-10)	P-169056	P-134717	P-162151	P-153338	P-153342	P-153343	†P-153344	†P-153344	†P-153344	P-153343	P-153342	P-153342	P-153338
E1DC	2 4,10	P-169061	P-462501	P-162196	P-153347	P-153348	*P-153344	*P-153344	†P-153344	P-153343	P-153342	P-153342	P-153338	
E1DD	6,7,9 3,4,6, 7,9	P-169061	P-462502	P-162196	P-477084	P-483232	P-483232	†P-483232	P-483237	P-483234	P-477084			
E1DE	1-10	P-169058	P-134717	P-162151	P-477084	P-483232	P-483232	P-483232	P-477084					
E1DF	1-10	P-169058	P-134717	P-162151	P-477084	P-483232	P-483232	P-483232	P-477084					
E1DG	2	P-169058	P-462503	P-162151	P-477084	P-483232	P-483232	P-483232	P-477084					
E1DH	1,5,9	P-169061	P-462504	P-162196	P-477084	P-483232	P-483232	P-483232	P-477084					
E1DJ	1-5	P-169058	P-207359	P-162151	P-153338	P-153339	P-153339	P-153339	P-153338					
E1DK	1-4	P-169058	P-158905	P-162151	P-153338	P-153342	P-153343	†P-153344	†P-153344	†P-153344	P-143343	P-153342	P-153338	
E1DL	1-6	P-169058	P-355329	P-162151	P-153338	P-153339	*P-153344	P-153348	P-153347					
E2A (0-9 Unit)	1-10	P-169052	P-134717	P-161600	P-153338	P-153339	P-153339	P-153338	P-153338					
(10-19 Unit)	1-10	P-169053	P-134863	P-161600	P-153338	P-153339	P-153339	P-153338	P-153338					
E2B (0-9 Unit)	1-10	P-169052	P-134717	P-162151	P-153338	P-153339	P-153339	P-153338	P-153338					
(10-19 Unit)	1-10	P-169053	P-134863	P-162151	P-153338	P-153339	P-153339	P-153338	P-153338					

† Order springs equipped with P-125342 separator.

†† Order springs (common contact springs) as follows:

P-153352 (spring in position 1 — see Fig. 13)

P-153351 (spring in position 2 — see Fig. 13)

††† Order springs (common contact spring) as follows:

P-156435 (spring in position 1 — see Fig. 13)

P-156434 (spring in position 2 — see Fig. 13)

* Order spring equipped with P-107109 separator.

‡ Order spring equipped with P-162992 separator.

TABLE G
PLUNGER, LUG, AND PLUNGER SPRINGS FOR 92-TYPE KEYS

KEY	PLUNGER (RED)	PLUNGER (BLACK)	LUG	SPRING (PLUNGER)
92A	P-166912	P-143908	P-355976	P-148403
92B	P-166906	P-143909	P-355976	P-148403
92D	P-166906	P-143909	P-12416	P-148403
92H	P-166908	P-143062	P-12416	P-148403
92J	P-166912	P-143908	P-12416	P-149572
92N	P-202060	P-157806	P-12416	*P-148403
92P	P-202698	P-157807	P-12416	*P-148235
92R	P-166912	P-143908	P-12416	P-39347
92S	P-166912	P-143908	P-12416	P-40261
92T	P-166912	P-143908	P-12416	*1
92U	P-168841	P-168791	P-12416	P-148403
92W	P-166912	P-143908	P-12416	P-39347
92Y	P-166912	P-143908	P-12416	P-148235
92AA	P-166906	P-143909	P-12416	P-148235
92AC	P-166912	P-143908	P-355976	*P-149572
92AD	P-166906	P-143909	P-12416	*2
92AE	P-166912	P-143908	P-12416	P-148235
92AF	P-166912	P-143908	P-12416	P-148403
92AG	P-166906	P-143909	P-12416	P-40261
92AH	P-166906	P-143909	P-12416	*P-149572
92AJ	P-166906	P-143909	P-12416	*P-148235
92AK	P-216612	P-216611	P-12416	P-148403
92AL	P-166912	P-143908	P-12416	P-148235
92AM		P-216907	P-12416	P-148403
92AN	P-166912	P-143908	P-12416	P-148403
92AP	P-355060	P-355061	P-12416	*2
92AR	P-166906	P-143909	P-12416	P-39347
92AS	P-166906	P-143909	P-12416	P-148403
92AT		P-356469	P-12416	P-148235
92AU		P-356557	P-12416	P-148403
92AW	P-166906	P-143909	P-12416	*3
92AY	P-166912	P-143908	P-12416	*2

* Number specified is for spring with contact. For spring without contact, order P-157808 spring.

* 1. P-149572 Spring (break contact) — P-148235 Spring (make contact).

* 2. P-149572 Spring (break contact) — P-148403 Spring (break-make contact).

* 3. P-148403 Spring (break-make contact) — P-148235 Spring (make contact).

TABLE H

PILEUP (SPRING MOUNTING) SCREWS FOR 3-TYPE KEY UNITS
AND 92- AND 498-TYPE KEYS

LENGTH	P-NO.
.445	142829
.492	146163
.537	142823
.570	142830
.601	142528
.632	207151
.726	202879
.747	142814
.809	163317
.939	356902
.968	356899

TABLE I

SLEEVE, HELICAL SPRING, PLUNGER SPRING, PLUNGER AND ROD, AND BUTTON FOR 223-TYPE KEYS

KEY	SLEEVE	SPRING (HELICAL)	SPRING (PLUNGER)	PLUNGER AND ROD	BUTTON
223A	P-34768	P-107697	P-40226	P-138785	P-109186
223B	P-34768	P-107697	P-147899	P-138785	P-169786
223C	P-34768	P-201999	P-201998	P-156718	P-202001
223D	*P-157703	P-156713	P-165883	P-156718	*P-157703
223E	P-34768	P-204653	P-204650	P-204655	P-169786

* Includes pushbutton, sleeve, nut, and pin.

TABLE J

LEVER AND PLUNGER, FRAME AND TOP PLATE FOR 479-TYPE KEYS HAVING NONDIE-CAST FRAMES

KEY	LEVER AND PLUNGER	FRAME AND TOP PLATE	KEY	LEVER AND PLUNGER	FRAME AND TOP PLATE	KEY	LEVER AND PLUNGER	FRAME AND TOP PLATE	KEY	LEVER AND PLUNGER	FRAME AND TOP PLATE
479A	P-355364	P-113371	479BL	P-355350	P-113371	479EC	P-355350	P-113371	479GK	P-355350	P-113371
479B	P-355351	P-113371	479BM	P-355351	P-113371	479ED	P-355350	P-113371	479GP	P-355363	P-113371
479C	P-355364	P-113371	479BN	P-355350	P-113371	479EE	P-355350	P-113371	479GR	P-355350	P-113371
479D	P-355364	P-113371	479BR	P-355351	P-113371	479EF	P-355350	P-113371	479GS	P-355350	P-113371
479E	P-355364	P-113371	479BR	P-355350	P-113371	479EG	P-355350	P-113371	479GT	P-355351	P-355000
479F	P-355351	P-113371	479BS	P-355349	P-113371	479EH	P-355350	P-113371	479GU	P-355351	P-355001
479G	P-355350	P-113371	479BT	P-355351	P-113371	479EJ	P-355350	P-113371	479GW	P-355349	P-113371
479H	P-355350	P-113371	479BU	P-355349	P-113371	479EK	P-355351	P-113371	479GY	P-355351	P-355081
479J	P-355349	P-113371	479BW	P-355349	P-113371	479EL	P-355351	P-113371	479HA	P-355351	P-355139
479K	P-355350	P-113371	479BY	P-355364	P-113371	479EM	P-355351	P-113371	479HB	P-355351	P-355176
479M	P-355351	P-113371	479CA	P-355364	P-167558	479EN	P-355351	P-113371	479HC	P-355351	P-355419
479N	P-355350	P-113371	479CB	P-355363	P-167561	479EP	P-355350	P-113371	479HD	P-355364	P-355182
479P	P-355350	P-113371	479CC	P-355350	P-167569	479ER	P-355350	P-113371	479HE	P-355350	P-355136
479R	P-355355	P-152449	479CD	P-355363	P-113371	479ES	P-355350	P-113371	479HF	P-355350	P-355105
479S	P-355351	P-113371	479CE	P-355351	P-113371	479ET	P-355350	P-113371	479HG	P-355350	P-355106
479T	P-355364	P-113371	479CF	P-355363	P-113371	479EU	P-355363	P-113371	479HH	P-355364	P-113371
479U	P-355351	P-155953	479CG	P-355349	P-113371	479EW	P-355350	P-113371	479HJ	P-355364	P-355739
479Y	P-355350	P-113371	479CH	P-355364	P-113371	479EY	P-355351	P-208141	479HK	P-355364	P-355745
479AA	P-355349	P-113371	479CJ	P-355350	P-113371	479FA	P-355349	P-113371	479HL	P-355350	P-113371
479AB	P-355363	P-113371	479CK	P-355350	P-113371	479FB	P-355350	P-113371	479HP	P-355349	P-113371
479AD	P-355363	P-113371	479CL	P-355351	P-113371	479FC	P-355364	P-113371	479HR	P-355363	P-113371
479AE	P-355351	P-113371	479CM	P-355364	P-113371	479FD	P-355350	P-113371	479HS	P-355349	P-113371
479AF	P-355364	P-113371	479CP	P-355350	P-113371	479FE	P-355349	P-113371	479HT	P-355364	P-355139
479AG	P-355364	P-113371	479CS	P-355349	P-113371	479FF	P-355363	P-113371	479HU	P-355351	P-113371
479AH	P-355363	P-113371	479CT	P-355350	P-113371	479FG	P-355350	P-208352	479HW	P-355350	P-356371
479AJ	P-355351	P-113371	479CU	P-355350	P-201020	479FH	P-355351	P-208538	479HY	P-355350	P-356398
479AK	P-355364	P-113371	479CW	P-355350	P-113371	479FJ	P-355350	P-208342	479JA	P-355350	P-356394
479AL	P-355351	P-113371	479CY	P-355350	P-113371	479FK	P-135066	P-207927	479JB	P-355363	P-356498
479AM	P-355351	P-113371	479DA	P-355350	P-113371	479FL	P-135066	P-208367	479JC	P-355349	P-356501
479AN	P-355363	P-113371	479DB	P-355350	P-202695	479FM	P-355364	P-207705	479JD	P-355350	P-356502
479AP	P-355351	P-113371	479DC	P-355351	P-113371	479FN	P-355349	P-113371	479JE	P-355349	P-356503
479AR	P-355351	P-113371	479DD	P-355351	P-113371	479FP	P-355350	P-113371	479JF	P-355364	P-356504
479AS	P-355351	P-113371	479DF	P-135063	P-202850	479FR	P-355351	P-113371	479JG	P-355350	P-356505
479AT	P-355363	P-113371	479DH	P-355350	P-203115	479FS	P-355350	P-113371	479JH	P-355364	P-356506
479AU	P-355351	P-113371	479DJ	P-355351	P-219379	479FT	P-355364	P-113371	479JJ	P-355364	P-356558
479AW	P-355350	P-113371	479DK	P-135327	P-113371	479FU	P-355350	P-113371	479JK	P-355364	P-113371
479AY	P-355351	P-113371	479DM	P-355351	P-113371	479FW	P-355349	P-113371	479JL	P-355364	P-208141
479BA	P-355350	P-113371	479DN	P-355364	P-113371	479FY	P-355350	P-208367	479JM	P-355349	P-113371
479BB	P-355350	P-113371	479DP	P-355351	P-113371	479GA	P-355350	P-207927	479JN	P-355364	P-113371
479BC	P-355349	P-113371	479DR	P-355351	P-203433	479GB	P-355350	P-113371	479JP	P-355363	P-113371
479BD	P-355349	P-113371	479DS	P-355351	P-203433	479GC	P-355350	P-113371	479JR	P-355350	P-113371
479BE	P-355350	P-113371	479DT	P-355350	P-203410	479GE	P-355350	P-113371	479JS	P-355364	P-113371
479BF	P-355349	P-113371	479DU	P-355350	P-113371	479GF	P-355364	P-113371	479JU	P-355350	P-113371
479BG	P-355363	P-113371	479DW	P-355364	P-113371	479GG	P-355349	P-113371	479JW	P-355350	P-113371
479BH	P-355349	P-113371	479DY	P-355364	P-113371	479GH	P-355350	P-113371			
479BJ	P-355350	P-113371	479EA	P-355350	P-113371						
479BK	P-355351	P-113371	479EB	P-355364	P-113371						

TABLE K

LEVER AND PLUNGER, FRAME AND TOP PLATE FOR 479-TYPE KEYS WITH DIE-CAST FRAMES

KEY	LEVER AND PLUNGER	FRAME AND TOP PLATE	KEY	LEVER AND PLUNGER	FRAME AND TOP PLATE	KEY	LEVER AND PLUNGER	FRAME AND TOP PLATE	KEY	LEVER AND PLUNGER	FRAME AND TOP PLATE
479A	P-355364	P-389786	479BB	P-355350	P-389786	479DK	P-135327	P-389786	479FS	P-355350	P-389786
479B	P-355351	P-389786	479BC	P-355349	P-389786	479DM	P-355351	P-389786	479FT	P-355364	P-389786
479C	P-355364	P-389786	479BD	P-355349	P-389786	479DN	P-355364	P-389786	479FU	P-355350	P-389786
479D	P-355364	P-389786	479BE	P-355350	P-389786	479DP	P-355351	P-389786	479FW	P-355349	P-389786
479E	P-355364	P-389786	479BF	P-355349	P-389786	479DS	P-355351	P-44A604	479FY	P-355350	P-44A607
479F	P-355351	P-389786	479BG	P-355363	P-389786	479DU	P-355350	P-389786	479GB	P-355350	P-389786
479G	P-355350	P-389786	479BH	P-355349	P-389786	479DW	P-355364	P-389786	479GC	P-355350	P-389786
479H	P-355350	P-389786	479BJ	P-355350	P-389786	479DY	P-355364	P-389786	479GE	P-355350	P-389786
479J	P-355349	P-389786	479BK	P-355351	P-389786	479EA	P-355350	P-389786	479GF	P-355364	P-389786
479K	P-355350	P-389786	479BL	P-355350	P-389786	479EB	P-355364	P-389786	479GG	P-355349	P-389786
479M	P-355351	P-389786	479BM	P-355351	P-389786	479EC	P-355350	P-389786	479GH	P-355350	P-389786
479N	P-355350	P-389786	479BN	P-355350	P-389786	479ED	P-355350	P-389786	479GK	P-355350	P-389786
479P	P-355350	P-389786	479BP	P-355351	P-389786	479EE	P-355350	P-389786	479GP	P-355363	P-389786
479S	P-355351	P-389786	479BR	P-355350	P-389786	479EF	P-355350	P-389786	479GR	P-355350	P-389786
479T	P-355364	P-389786	479BS	P-355349	P-389786	479EG	P-355350	P-389786	479GS	P-355350	P-389786
479U	P-355351	P-44A600	479BT	P-355351	P-389786	479EH	P-355350	P-389786	479GW	P-355349	P-389786
479Y	P-355350	P-389786	479BU	P-355349	P-389786	479EJ	P-355350	P-389786	479HC	P-355351	P-44A610
479AA	P-355349	P-389786	479BW	P-355349	P-389786	479EK	P-355351	P-389786	479HF	P-355350	P-44A611
479AB	P-355363	P-389786	479BY	P-355364	P-389786	479EL	P-355351	P-389786	479HG	P-355350	P-44A612
479AD	P-355363	P-389786	479CD	P-355363	P-389786	479EM	P-355351	P-389786	479HH	P-355364	P-389786
479EE	P-355351	P-389786	479CE	P-355351	P-389786	479EN	P-355351	P-389786	479HL	P-355350	P-389786
479AF	P-355364	P-389786	479CF	P-355363	P-389786	479EP	P-355350	P-389786	479HP	P-355349	P-389786
479AG	P-355364	P-389786	479CG	P-355349	P-389786	479ER	P-355350	P-389786	479HR	P-355363	P-389786
479AH	P-355363	P-389786	479CH	P-355364	P-389786	479ES	P-355350	P-389786	479HS	P-355349	P-389786
479AJ	P-355351	P-389786	479CJ	P-355350	P-389786	479ET	P-355350	P-389786	479HU	P-355351	P-389786
479AK	P-355364	P-389786	479CK	P-355350	P-389786	479EU	P-355363	P-389786	479JB	P-355363	P-44C331
479AL	P-355351	P-389786	479CL	P-355351	P-389786	479EW	P-355350	P-389786	479JD	P-355350	P-44A616
479AM	P-355351	P-389786	479CM	P-355364	P-389786	479EY	P-355351	P-44A605	479JE	P-355349	P-44A617
479AN	P-355363	P-389786	479CP	P-355350	P-389786	479FA	P-355349	P-389786	479JK	P-355364	P-389786
479AP	P-355351	P-389786	479CS	P-355349	P-389786	479FB	P-355350	P-389786	479JL	P-355364	P-44A605
479AR	P-355351	P-389786	479CT	P-355350	P-389786	479FC	P-355364	P-389786	479JM	P-355349	P-389786
479AS	P-355351	P-389786	479CU	P-355350	P-44A603	479FD	P-355350	P-389786	479JN	P-355364	P-389786
479AT	P-355363	P-389786	479CW	P-355350	P-389786	479FE	P-355349	P-389786	479JP	P-355363	P-389786
479AU	P-355351	P-389786	479CY	P-355350	P-389786	479FF	P-355363	P-389786	479JR	P-355350	P-389786
479AW	P-355350	P-389786	479DA	P-355350	P-389786	479FH	P-355351	P-44A606	479JS	P-355364	P-389786
479AY	P-355351	P-389786	479DC	P-355351	P-389786	479FN	P-355349	P-389786	479JU	P-355350	P-389786
479BA	P-355350	P-389786	479DD	P-355351	P-389786	479FP	P-355350	P-389786	479JW	P-355350	P-389786
						479FR	P-355351	P-389786			

TABLE L

PILEUP SCREWS FOR 479-TYPE KEYS, 2- AND 5-TYPE UNITS,
AND KEY UNIT ASSEMBLIES (NONCODED) USED ON A9, A14,
AND 529-TYPE KEYS

	0.112"-36	0.112"-48
LENGTH	P- NO.	P- NO.
0.531	125054	139159
0.563	136681	139042
0.594	163649	143063
0.625	136980	139150
0.688	134274	139116
0.719	138730	139158
0.750	137149	139155
0.781	147096	155000
0.813	163648	139157
0.844	137254	143296
0.875	138076	139156
0.906	137480	172565
0.938	147092	141300
0.969	163531	42B489
1.000	137369	41B980
1.031	147095	42B490
1.063	137423	41B981
1.094	163874	42B491
1.125	147094	41B982
1.156	147093	41B983
1.188	145317	42B056
1.219	252153	42B492
1.250	251199	41B984
1.313	252154	42B493

TABLE M

BUSHINGS FOR 2- AND 5-TYPE KEY UNITS AND
KEY UNIT ASSEMBLIES (NONCODED) USED ON
479- AND 529-TYPE KEYS

LENGTH	P- NO.	LENGTH	P- NO.
0.380	41C600	0.710	41C616
0.391	295747	0.725	41C617
0.400	41C601	0.735	295769
0.406	295748	0.745	41C618
0.408	41C602	0.760	41C619
0.422	295749	0.775	41C620
0.438	295750	0.785	41C621
0.445	41C603	0.800	41C622
0.455	41C604	0.813	295774
0.460	41C605	0.825	41C623
0.473	41C606	0.835	41C624
0.484	295753	0.850	41C625
0.500	295754	0.865	41C626
0.516	295755	0.880	41C627
0.525	41C607	0.891	295779
0.531	295756	0.900	41C628
0.535	41C608	0.910	41C629
0.546	295757	0.922	41C630
0.560	41C609	0.938	42B584
0.580	41C610	0.960	41C631
0.590	41C611	0.975	41C632
0.600	41C612	0.985	41C633
0.615	41C613	1.000	42B586
0.625	295762	0.016	41C634
0.640	295763	1.031	42B587
0.656	295764	1.063	42B588
0.675	41C614	1.078	41C635
0.690	41C615	1.094	42B589
0.704	295767	1.125	42B590
		1.136	41C636
		1.156	42B591

TABLE N
CAM AND PLUNGER SPRINGS FOR 498-TYPE KEYS

KEY	CAM		SPRING (PLUNGER)	KEY	CAM		SPRING (PLUNGER)
	BLACK	RED			BLACK	RED	
498A	P-166928	P-152894	P-155267	498U	P-164995	P-141470	P-218116
498B	P-164995	P-141470	See Note 1	498W	P-213005	P-213006	P-155398
498C	P-164995	P-141470	P-155267	498Y	P-164995	P-141470	See Note 3
*498D	P-166923	P-153828	See Note 1	498AA	P-164995		See Note 5
498E	P-166930	P-155265	P-155267	498AB		P-141470	See Note 5
498F	P-164995	P-141470	See Note 2	498AC	P-164995	P-141470	See Note 6
498G	P-208373	P-208374	See Note 3	498AD	P-355560	P-355561	P-155267
498H	P-208383	P-208384	P-155267	498AE	P-164995	P-141470	P-356476
498J	P-208373	P-208374	See Note 4	498AG	P-164995	P-141470	P-155267
498K	P-213005	P-213006	See Note 4	498AJ	P-458477	P-458476	P-155399
498M	P-164995	P-141470	P-155399	*498AK	P-164995	P-141470	See Note 7
498N	P-206928	P-206927	See Note 1	498AL	P-166928	P-152894	P-155267
498P	P-164995	P-141470	P-155398	498AM	P-463570	(Dark Beige)	P-155399
*498R	P-164995	P-141470	P-218116	498AN	P-208373	P-208374	P-218116
498S	P-164995	P-141470	P-155399	498AP	P-16A196	(Dark Beige)	See Note 4
498T	P-164995	P-141470	P-155398	498AR	P-166928	P-152894	P-155399
				498AS	P-12B095	(Dark Beige)	See Note 4
				498AT	P-463570	(Dark Beige)	See Note 7

* A&M Only

Notes:

1. P-155266 without contact
P-155267 with contact
2. P-204272 part of break spring combination
P-155399 part of break-make spring combination
3. P-155266 without contacts
P-155399 with contacts
4. P-155267 part of make spring combination
P-155399 part of break-make spring combination
5. P-155266 without contacts
P-155398 with contacts
6. P-155267 part of make spring combination
P-155398 part of break spring combination
7. P-155398 part of break spring combination
P-155399 part of break-make spring combination

TABLE O

KEYTOP, PLUNGER ROD, AND NUT FOR 499-, 523-, AND 524-TYPE KEYS

KEY	KEYTOP	PLUNGER ROD ASSEM	NUT	KEY	†KEYTOP	PLUNGER ROD ASSEM	NUT
499A	P-153846	P-153835	P-125476	499H	P-148547	P-355128	P-203270
499B	P-164632	P-162218	P-161833	499I	P-490420	P-355128	P-203270
499C	P-201334	P-162218	P-203270	523A	P-209127	P-162218	P-203270
499D	P-355007	P-162218	P-203270	523B	P-355195	P-355128	P-203270
499E	P-355193	P-355128	P-203270	524A	P-208624	P-162218	P-203270
499F	P-355202	P-355128	P-203270	524B	P-219776	P-162218	P-203270
499G	P-457526	P-355128	P-203270	524C	P-355194	P-355128	P-203270
				524D	P-355201	P-355128	P-203270

† Order as keytop and mounting stud for 524-type key.

TABLE P

PLUNGER AND SPRING CLAMPING SCREW FOR 520-TYPE KEYS

KEY	PLUNGER (BLACK)	PLUNGER (RED)	SCREW (CLAMPING)	KEY	PLUNGER (BLACK)	PLUNGER (RED)	SCREW (CLAMPING)
520A	P-206482		P-143794	520F	P-213272	P-213273	P-216230
520B	P-208740	P-208773	P-143794	520G	P-213268	P-213267	P-214266
520C	P-213268	P-213267	P-214266	520H	P-213272	P-213273	P-214266
520D	P-213272	P-213273	P-214266	520J	P-213272	P-213273	P-216230
520E	P-213291	P-213292	P-214266	520K	P-213291	P-213292	P-216230

TABLE Q

HANDLES WITH CHARACTERS FOR A-, B-, C-, G-, 479-, AND 529-TYPE KEYS (SEE FIG. 3C FOR HANDLES WITHOUT CHARACTERS)

CHARACTER	COLOR OF HANDLE		
	BLACK	RED	WHITE
1	P-167030	P-135182	P-167031
2	P-167024	P-135179	P-167025
3	P-167012	P-135331	P-167013
4	P-167006	P-135328	P-167007
5	P-167032	P-135183	P-167033
6	P-167026	P-135180	P-167027
7	P-167014	P-135332	P-167015
8	P-167008	P-135329	P-167009
9	P-135178	P-167022	P-167023
11	P-135177	P-167020	P-167021
13	P-167036	P-167037	P-135185
14	P-167040	P-167041	P-135187
15	P-167038	P-167039	P-135186
16	P-167042	P-167043	P-135188
17	P-209302	P-209301	P-209303
18	P-167044	P-167045	P-165431
19	P-167703	P-168453	P-168454
A	P-167034	P-135184	P-167035
B	P-167028	P-135181	P-167029
C	P-167016	P-135333	P-167017
D	P-167010	P-135330	P-167011
E	P-135176	P-167018	P-167019

TABLE R

BUTTONS FOR USE ON A2-, A17C-, A20B-, A20C-, B17-, AND G2C-TYPE KEYS EQUIPPED WITH 1-, OR 8-TYPE KEY UNITS (BUTTONS THREADED FOR 0.138-INCH 32 THD SCREWS)

COLOR OF BACKGROUND	DESCRIPTION (SEE FIG. SPECIFIED BELOW)	BUTTON
Black	1B	P-128524
Red	1B	P-128525

TABLE S

BUTTONS FOR USE ON 497A, A15A, B5A, B6A, B7A, B7B, B7C, B7D, C2A THROUGH C2F, E1D THROUGH E1AH, E1AB, E1AD, AND E2A KEYS (BUTTONS THREADED FOR 0.138-INCH 40 THD SCREWS)

COLOR OF BACKGROUND	†DESCRIPTION (SEE FIG. SPECIFIED BELOW)	*BUTTON
Red	1A (X)	P-134895
Red	1A (Y)	P-134897
Black	1A (X)	P-134896
Black	1A (Y)	P-134899
White	1A (Y)	P-134898
White	1A (X)	P-134900
Green	1A (X)	P-153301
Green	1A (Y)	P-161084

* If the button required is not listed in this table, order A-119233 Det 2 and specify character, color of character, and background. Drawing A-119233 covers a frame-type button with a 0.541-inch diameter.

† The letter (X) or (Y) indicates the dimension as covered in the figure referred to.

TABLE T

BUTTONS FOR USE ON A2-, (FOR 8-TYPE KEY UNITS), A6-, A7-, A8-, A9-, A10-, A11-, A13-, A14-, A15B-, A15C-, A17B-, A18-, A20A-, A27-, A28-, A30-, A34-, A36-, A37-, B3-, B5B-, B5C-, B6B-, B6C-, B6D-, B7-, (EXCEPT B7A, B, C, AND D), B8-, B18-, B19-, B22-, B23-, B25-, B26-, C2-, (EXCEPT C2A THROUGH C2F), C5-, C6-, E1-, (EXCEPT E1D THROUGH E1AH), E1AB-, E1AD-, E28-, E6-, G2A-, B-, D-, AND E-, G3-, G4-, G6-, G7-, 497-, (EXCEPT 497A), 499-, 523-, 524-, AND 545-TYPE KEYS (BUTTONS THREADED FOR 0.138 INCH 32 THD SCREWS)

COLOR OF BACKGROUND	CHARACTER	COLOR OF CHARACTER	†DESCRIPTION (SEE FIG. SPECIFIED BELOW)	*BUTTON
Red			1C (A)	P-13429
Red			1C (B)	P-153568
Red			1A (Y)	P-161027
Red			1A (X)	P-161826
Red			1C (C)	P-209217
Red	0	Black	1A (Y)	P-169327
Red	1	Black	1A (Y)	P-169328
Red	2	Black	1A (Y)	P-169329
Red	3	Black	1A (Y)	P-169330
Red	4	Black	1A (Y)	P-169331
Red	5	Black	1A (Y)	P-169332
Red	6	Black	1A (Y)	P-169333
Red	7	Black	1A (Y)	P-169334
Red	8	Black	1A (Y)	P-169335
Red	9	Black	1A (Y)	P-169336
Red	— 1	Black	1A (Y)	P-169409
Red	— 2	Black	1A (Y)	P-169394
Red	+ 4	Black	1A (Y)	P-169396
Red	000 499	Black	1A (Y)	P-169325
Red	500 999	Black	1A (Y)	P-169323
Red	BT	Black	1A (Y)	P-169389
Red	C	Black	1C (B)	P-138207
Red	C	Black	1A (Y)	P-169312
Red	C	Black	1A (X)	P-203333
Red	DIS H0	Black	1A (Y)	P-169362
Red	DISC	Black	1A (Y)	P-169390
Red	FM	Black	1A (Y)	P-169367
Red	H01	Black	1A (Y)	P-169363
Red	J	Black	1A (Y)	P-169359
Red	M	Black	1A (Y)	P-169365
Red	P1	Black	1A (Y)	P-169317
Red	R	Black	1C (B)	P-138205
Red	R	Black	1A (Y)	P-169311
Red	RB	Black	1A (Y)	P-169326
Red	RC1	Black	1A (Y)	P-169369

TABLE T (Cont)

COLOR OF BACK-GROUND	CHAR-ACTER	COLOR OF CHAR-ACTER	†DESCRIPTION (SEE FIG. SPECIFIED BELOW)	*BUTTON
Red	REV	Black	1A (Y)	P-169320
Red	ST	Black	1A (Y)	P-169407
Red	ST	Black	1A (Y)	P-169364
Red	T	Black	1C (C)	P-146693
Red	T	Black	1C (B)	P-161336
Red	TAN	Black	1A (Y)	P-169368
Red	W	Black	1A (Y)	P-169358
Black			1C (A)	P-101400
Black			1C (B)	P-153569
Black			1A (Y)	P-161026
Black			1C (D)	P-16A078
Black			1A (X)	P-162198
Black			1C (C)	P-209216
Black	0	White	1A (Y)	P-165832
Black	0	White	1A (X)	P-169347
Black	1	White	1A (Y)	P-165833
Black	1	White	1A (X)	P-169348
Black	2	White	1A (Y)	P-165834
Black	2	White	1A (X)	P-169349
Black	3	White	1A (Y)	P-165835
Black	3	White	1A (X)	P-169350
Black	4	White	1A (Y)	P-165836
Black	4	White	1A (X)	P-169351
Black	5	White	1A (Y)	P-165837
Black	5	White	1A (X)	P-169352
Black	6	White	1A (Y)	P-165838
Black	6	White	1A (X)	P-169353
Black	7	White	1A (Y)	P-165839
Black	7	White	1A (X)	P-169354
Black	8	White	1A (Y)	P-165840
Black	8	White	1A (X)	P-169355
Black	9	White	1A (Y)	P-165841
Black	9	White	1A (X)	P-169356
Black	10	White	1A (Y)	P-169391
Black	+ 3	White	1A (X)	P-169395
Black	500 999	White	1A (Y)	P-169321
Black	C	White	1C (B)	P-138206
Black	CCR	White	1A (Y)	P-169392
Black	DS	White	1A (Y)	P-169366
Black	N.T.	White	1A (Y)	P-169380
Black	NOT	White	1A (Y)	P-169357
Black	N TALK	White	1A (Y)	P-356150

COLOR OF BACK-GROUND	CHAR-ACTER	COLOR OF CHAR-ACTER	†DESCRIPTION (SEE FIG. SPECIFIED BELOW)	*BUTTON
Black	P2	White	1A (Y)	P-169318
Black	R	White	1C (B)	P-138208
Black	R	White	1A (Y)	P-169310
Black	R	White	1A (X)	P-203334
Black	RC	White	1A (Y)	P-169404
Black	REL	White	1A (Y)	P-169393
Black	ST	White	1A (Y)	P-169381
Black	T	White	1C (C)	P-146713
Black	T	White	1C (B)	P-161334
Black	T	White	1A (Y)	P-169382
Black	TWA	White	1A (Y)	P-169383
Black	TWB	White	1A (Y)	P-169384
Black	TWC	White	1A (Y)	P-169385
Black	TWD	White	1A (Y)	P-169386
Black	TWE	White	1A (Y)	P-169387
Black	TWF	White	1A (Y)	P-169388
Black	TWG	White	1A (Y)	P-169397
Black	TWH	White	1A (Y)	P-169398
Black	TWI	White	1A (Y)	P-169399
Black	TWJ	White	1A (Y)	P-169400
White			1C (A)	P-107826
White			1A (Y)	P-161039
White			1A (X)	P-161827
White			1C (A)	P-209218
White	0	Red	1A (Y)	P-169370
White	0	Black	1A (Y)	P-356140
White	0	Black	1D (Y)	P-11B031
White	1	Red	1A (Y)	P-169371
White	1	Black	1A (Y)	P-356141
White	1	Black	1D (Y)	P-11B032
White	+ 3	Black	1A (Y)	P-169405
White	+ 4	Black	1A (Y)	P-169408
White	10	Black	1A (Y)	P-169337
White	11	Black	1A (Y)	P-169338
White	12	Black	1A (Y)	P-169339
White	13	Black	1A (Y)	P-169340
White	14	Black	1A (Y)	P-169341
White	15	Black	1A (Y)	P-169342
White	16	Black	1A (Y)	P-169343
White	17	Black	1A (Y)	P-169344
White	18	Black	1A (Y)	P-169345
White	19	Black	1A (Y)	P-169346
White	000 499	Black	1A (Y)	P-169324

TABLE T (Cont)

COLOR OF BACK-GROUND	CHAR-ACTER	COLOR OF CHAR-ACTER	†DESCRIPTION (SEE FIG. SPECIFIED BELOW)	*BUTTON
White	500 999	Black	1A (Y)	P-169322
White	ABC 2	Black Red	1A (Y)	P-169372
White	ABC 2	Black	1A (Y)	P-356142
White	ABC 2	Black	1D (Y)	P-11B023
White	D TALK	Black	1A (Y)	P-356151
White	DEF 3	Black Red	1A (Y)	P-169373
White	DEF 3	Black	1A (Y)	P-356143
White	DEF 3	Black	1D (Y)	P-11B024
White	GHI 4	Black Red	1A (Y)	P-169374
White	GHI 4	Black	1A (Y)	P-356144
White	GHI 4	Black	1D (Y)	P-11B025
White	JKL 5	Black Red	1A (Y)	P-169375
White	JKL 5	Black	1A (Y)	P-356145
White	JKL 5	Black	1D (Y)	P-11B026
White	KP	Black	1A (Y)	P-169406
White	KP	Black	1D (Y)	P-11B033
White	MNO 6	Black Red	1A (Y)	P-169376
White	MNO 6	Black	1A (Y)	P-356146
White	MNO 6	Black	1D (Y)	P-11B027
White	PD	Black	1D (X)	P-11B036
White	RS	Black	1D (X)	P-11B035
White	MF TST	Black	1A (Y)	P-462452
White	MF CON	Black	1A (Y)	P-462453
White	ST	Black	1A (Y)	P-12B544
White	MF	Black	1A (Y)	P-12B545
White	SD	Black	1A (Y)	P-12B546
White	P1	Black	1A (Y)	P-169313
White	P2	Black	1A (Y)	P-169314
White	P3	Black	1A (Y)	P-169315
White	P4	Black	1A (Y)	P-169316
White	PEG	Red	1A (Y)	P-169402
White	PRS 7	Black Red	1A (Y)	P-169377
White	PRS 7	Black	1A (Y)	P-356147

COLOR OF BACK-GROUND	CHAR-ACTER	COLOR OF CHAR-ACTER	†DESCRIPTION (SEE FIG. SPECIFIED BELOW)	*BUTTON
White	PRS 7	Black	1D (Y)	P-11B028
White	R	Black	1C (B)	P-161584
White	RB	Black	1A (Y)	P-356138
White	RL	Black	1A (Y)	P-356139
White	SR	Red	1A (Y)	P-169401
White	ST	Black	1D (Y)	P-11B034
White	T	Black	1C (C)	P-146712
White	T	Black	1C (B)	P-161335
White	TR	Black	1A (Y)	P-356152
White	TUV 8	Black Red	1A (Y)	P-169378
White	TUV 8	Black	1A (Y)	P-356148
White	TUV 8	Black	1D (Y)	P-11B029
White	WXY 9	Black Red	1A (Y)	P-169379
White	WXY 9	Black	1A (Y)	P-356149
White	WXY 9	Black	1D (Y)	P-11B030
Green			1A (X)	P-161828
Green			1A (Y)	P-162213

* If the button required is not listed in the table, order as follows. For buttons with 0.541-inch diameter, order A-124078 Det 2; and for buttons with 0.453-inch diameter, order A-125704 Det 1. Specify in each case character, color of character, and background.

† The letter (A), (B), (C), (X), or (Y) indicates the dimensions as covered in the figure referred to.

SECTION 032-703-801

TABLE U

BUFFER PLATES AND SHOULDER SCREWS FOR A6-, A7-, A8-, A10-, A11-, A13-, A28-, A30-, A34-, A36-, A37-, B3-, B5-, B6-, B22-, B23-, B26-, E6-, G3-, G4-, AND G7-TYPE KEYS

KEY	BUFFER PLATE	SHOULDER SCREW
A6	See Note 1	P-355041
A7	P-146697	P-355041
A8	P-146619	P-355041
A10	See Note 2	See Note 3
A11	See Note 6	See Note 5
A13	P-146619	P-146620
A28	P-355908	—
A30	See Note 7	P-355401
A34	P-355908	—
A36	P-477072	—
B3	P-146658	See Note 4
B5	P-155387	—
B6	P-155387	—
B22	P-355908	—
B23	P-355908	—
B26	P-355908	—
E6	P-477663	—
G3	P-355908	—
G4	P-355908	—
A37	P-355908	—
G7	P-48F336	—

Notes:

1. P-146619 (for A6A, 1-2-3, H, R, and T keys)
P-146658 (for A6D 1-2-3 key)
P-146697 (for A6L 1-2-3, N, P, and S keys)
2. P-146697 (for A10A 1-2-3, K, M, N, P, S, T, U, W, AA, AB, AC, AD, AE, and AJ keys)
P-146619 (for A10B 1-2-3, D, G, H, J, R, AF, and AG keys)
P-146658 (for A10F 1-2-3, Y, and AH keys)
3. P-355041 (except for A10Y 1-2-3, AA, and AH keys)
P-146620 (for A10Y 1-2-3, AA, and AH keys)
4. P-146620 (except for B3A1, B3A2, and B3A3 keys)
P-355041 (for B3A1, B3A2, and B3A3 keys)
5. P-146620 (except for A11A 1-2-3 and A11B 1-2-3 keys)
P-355041 (for A11A 1-2-3 and A11B 1-2-3 keys)
6. P-146697 (except for A11C, D, E, F, G, H, J, K, M, N, R, S, T, U, W, Y, AG, AN, and AP keys)
P-146619 (for A11C, D, E, F, G, H, J, K, M, N, R, S, T, U, W, Y, AG, AN, and AP keys)
7. A-318653 Det 5

TABLE V

38-TYPE SHIELDS FOR A-, A2-, A18-, A31-, *B1-, B10-, B15-, C1-, C3-, G1-, G2-, G3-, G6-, AND G7-TYPE KEYS

SHIELD	USED WITH TYPE KEY
38A	*B1,B10,B15
38B	C1,C3
38D	A1,A31
38F	A2
38G	A18
38J	G1,G6
38K	G2
38L	G3
38P	G7

* Not arranged for use on keys equipped with indicators.

3. REPLACEMENT PROCEDURES**3.01 List of Tools and Materials**

CODE OR SPEC NO.	DESCRIPTION
TOOLS	
72	Combination 5/32-inch and 3/16-inch hex. double-end socket wrench and screwdriver
82 or 82B	*Pin wrench
*The 82B pin wrench will fit all of the 223-type keys. The 82 pin wrench will fit all but the 223D key.	
147	Screwdriver
206	30-degree offset screwdriver
207	90-degree offset screwdriver
209	5/16-inch hex. open single-end offset wrench
210	Key button pliers (jaws open 15/32 inch)
211	Key button pliers (jaws open 3/8 inch)
403A	Wrench
418A	5/16-inch and 7/32-inch hex. open double-end flat wrench
485A	Smooth jaw pliers
AT-7858	5-inch diagonal pliers
KS-6854	3-1/2 inch screwdriver
—	3-inch C screwdriver
—	4-inch E screwdriver
—	L.S. Starrett No. 565 drive pin punch (1/16 inch) (or equivalent)
—	Swiss No. 0 cut square needle file
—	4-ounce riveting hammer

CODE OR SPEC NO. MATERIALS	DESCRIPTION
1A or 2A	Cushion (or equivalent tubing)
KS-2423	Cloth
KS-7860	Petroleum spirits

3.02 The replacement procedure for the parts listed in this section are given in the following order:

HEADING	PARAGRAPH
Key Buttons	3.07
Keytop	3.10
Indicator	3.11
Key Base and Mounting Stud	3.12
545-Type Keys	3.13
2- and 5-Type Key Units With Nondie-Cast Frames	3.14
2- and 5-Type Key Units With Die-Cast Frames	3.15
529-Type Keys	3.16
Plunger Springs, Clamping Plates, Clamping Screws, Mounting Block, Bushings, and Insulators — A9, A14 and 529-Type Keys	3.17
479-Type Keys	3.18
Plunger Springs — 3-Type Key Units and 92- and 498-Type Keys	3.19
Spring Assembly Clamping Nut — 3-Type Key Units and 92- and 498-Type Keys	3.20
Locking Plate — E1- and E2-Type Keys	3.21
Plunger Rod, Plunger, and Helical Spring	3.24
Contact Springs — E1- and E2-Type Keys	3.29
Coil — E1- and E2-Type Keys	3.31
Buffer Plates	3.32
Button, Sleeve, Plunger and Rod, Helical Spring, and Plunger Spring — 223-Type Keys	3.36
Button, Top Plate, Rod, Frame, and Sleeve — 493-Type Keys	3.38
Plunger and Plunger Retaining Latch — 520-Type Keys	3.39
Fiber Key Shields — 38-Type Shields	3.40

SECTION 032-703-801

3.03 Before making any replacement of the parts of a key, remove the associated circuit from service in accordance with the approved procedures.

3.04 No replacement procedures are specified for screws and other parts where the replacement consists of a simple operation.

3.05 When necessary, remove the key from the keyshelf or mounting as covered in the section covering the key.

3.06 After making any replacement of parts, check the key and, where necessary, readjust it to meet the requirements covered in the appropriate requirements section.

Key Buttons

3.07 When removing a key button from a plunger unit equipped with a locknut, loosen the locknut by turning it away from the button with the 209 wrench. Place three or four thicknesses of KS-2423 cloth over the button, grip it firmly with the 210 or 211 pliers as required, and then, while holding the locknut with the 209 wrench, remove the button. Where available, a 1A or 2A cushion or equivalent may be slid over each jaw of the 210 or 211 pliers and the pliers used without the cloth. Remove the locknut and lockwasher.

3.08 In resetting the key button, turn down the locknut as far as it will go and set the button so that it will line up with the buttons on adjacent keys. Place three or four thicknesses of the KS-2423 cloth over the button, or with the pliers prepared as covered in 3.07, grip the key button firmly with the 210 or 211 pliers as required, and then, while holding it firmly, tighten the locknut up against the key button.

3.09 When removing a key button with the 210 or 211 pliers from a plunger unit not equipped with a locknut, hold the plunger rod firmly with the 485A pliers just below the plunger locking or stop cone in order to facilitate the operation. Take care in holding the plunger rod with the pliers to prevent burring of the rod. (See Fig. 53.)

Keytop

3.10 If the key is equipped with key handles, unscrew the handles. Remove all buttons, together with washers and locknuts, as covered in

3.07, 3.08, and 3.09. With the KS-6854 screwdriver, remove the keytop screws and lift off the keytop.

Indicator

3.11 Remove the escutcheon indicator mounting screws shown in Fig. 54 and the indicator link mounting screw with the KS-6854 screwdriver. Remove the shoulder screw, as shown in Fig. 55, with the 3-inch C screwdriver, and lift out the indicator arm. If difficulty is encountered in removing the indicator arm, remove the keytop as covered in 3.10, loosen the key unit mounting screws with the 3-inch C screwdriver, and move the key unit sufficiently to permit the indicator arm to clear the adjacent key unit. Replace the parts in the reverse order, and tighten all screws securely.

Key Base and Mounting Stud

3.12 Remove the key buttons and keytop as covered in 3.07 through 3.10. Remove all screws which hold key units and other parts to the key base and mounting stud with the 3-inch C screwdriver, except that the 4-inch E screwdriver shall be used in removing the coil mounting screws on E-type keys. To remove key units on B7-type keys with riveted plunger assemblies, cut the rivet with the 5-inch diagonal pliers and remove the rivet. When the unit is replaced, insert a new rivet and flatten the end of the rivet. Mount the key units and other parts on the new key base and mounting stud and tighten the screws securely.

545-Type Keys

3.13 Remove the key buttons as covered in 3.07, 3.08, and 3.09. Remove the washers and nuts. Remove the keytop screws with the KS-6854 screwdriver, and lift off the keytop. Remove the key unit mounting plate mounting screws with the 3-inch C screwdriver which will free the key base and mounting stud. Mount the key unit mounting plates on the new key base and mounting stud and tighten the mounting screws securely. Replace the keytop, and fasten the keytop screws securely. Replace the key buttons, and tighten the locknuts securely.

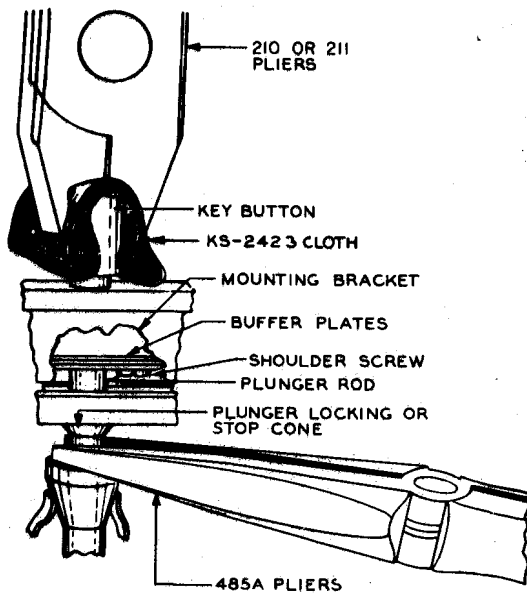


Fig. 53—Method of Removing Plunger Buttons From Plunger Units Not Equipped With Locknuts

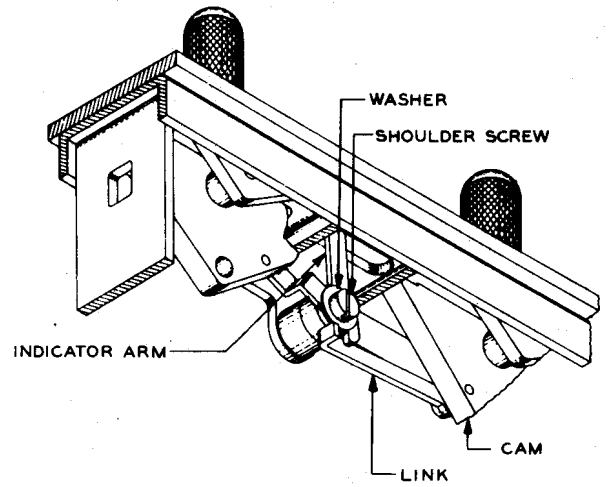


Fig. 55—Indicator Assembly Parts

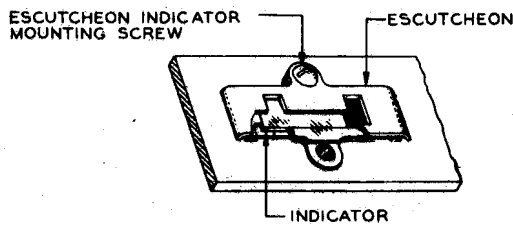


Fig. 54—Indicator Parts

2- and 5-Type Key Units With Nondie-Cast Frames

3.14 Remove the handles of all lever units on the key. Remove any key buttons and associated washers and nuts on adjacent plunger-type key units as covered in 3.07, 3.08, and 3.09. Remove the keytop as covered in 3.10. Remove wiring. Remove the key unit mounting screws with the 3-inch C screwdriver and remove the key unit. Position the new key unit and replace and tighten the key unit mounting screws securely. Remount the keytop, key handles, and any buttons that may have been removed; then tighten the keytop mounting screws securely. Replace wiring.

2- and 5-Type Key Units With Die-Cast Frames

3.15 Remove the handles of all level units on the key. Remove any key buttons and associated washers and nuts on adjacent plunger-type units as covered in 3.07, 3.08, and 3.09. Remove the keytop as covered in 3.10. Remove wiring. Remove the key unit mounting screws and remove key unit. Assemble the new key unit and other parts in reverse order of removal. Replace wiring and tighten the mounting screws securely.

529-Type Keys

3.16 Remove the handle of the key involved. Remove the spring assembly mounting screw with the 3-inch C screwdriver. Drive out the pin which holds the lever in the frame with the 1/16-inch pin punch and the 4-ounce riveting hammer. Place the new lever in the frame, and drive in the pin. Take care not to bend the pin or misalign the frame or lever. Replace the spring assemblies, and tighten the mounting screw securely. Replace the key handle.

Plunger Springs, Clamping Plates, Clamping Screws, Mounting Block, Bushings, and Insulators—A9-, A14-, and 529-Type Keys

3.17 Remove the spring assembly mounting screw with the 3-inch C screwdriver. Unsolder the leads from any plunger springs to be replaced. Remove the spring clamping screws with the 3-inch C screwdriver, and replace the parts requiring replacement. Reassemble the parts and tighten the clamping screws securely. Resolder any leads that were removed. Reposition the spring assemblies, and tighten the spring assembly mounting screw securely. See Fig. 56.

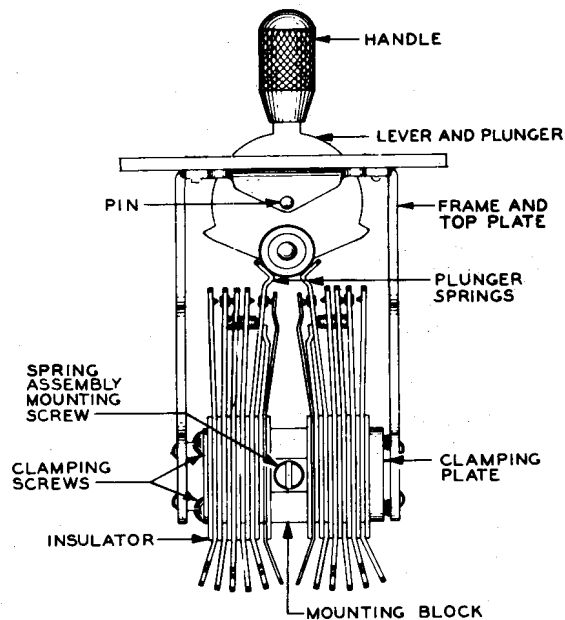


Fig. 56—479-Type Key With Nondie-Cast Frame

479-Type Keys

3.18 It is not recommended to replace individual piece parts in the field. Instead, replace the faulty key with a new one of the same code.

Plunger Springs—3-Type Key Units and 92- and 498-Type Keys

3.19 Unsolder the leads from the springs. Remove the key mounting screws with the 3-inch C screwdriver. Remove the spring assembly mounting screws with the 3-inch C screwdriver and remove the spring assembly. Remove the spring clamping screw with the 3-inch C screwdriver and 418A wrench. Replace the plunger springs, reassemble the spring pileup, and tighten the assembly clamping screw securely. Remount the assembly in the frame, and tighten the assembly mounting screws securely. Remount the key and resolder all leads.

Spring Assembly Clamping Nut—3-Type Key Units and 92- and 498-Type Keys

3.20 The spring assembly clamping nut obtained on order will be a nut with a shoulder. The shoulder is intended to fit into the hole in the outer contact spring against which it is assembled. Since the outer contact spring of some keys is equipped with a bushing inserted into the hole in

the spring, it will be necessary to remove this bushing before mounting the shoulder nut in place. With the bushing removed, place the nut in position on the spring with the shoulder in the hole in the spring. Insert and securely tighten the clamping screw.

Locking Plate—E1- and E2-Type Keys

3.21 E1-Type Keys: Remove the locking plate retractile spring mounting screw with the 3-inch C screwdriver and remove the retractile spring. Remove the hinge mounting screws which fasten the hinges to the locking plate with the 3-inch C screwdriver and remove the locking plate. Position the new locking plate, replace the retractile spring, and tighten all mounting screws securely.

3.22 E2-Type Key (0 Through 9 Units): Hold the shoulder screw nut with the 485A pliers, and remove the shoulder screw with the KS-6854 screwdriver. This releases the link and permits the locking plate to be removed. Replace the locking plate as covered in 3.21. Replace the shoulder screw in the link, and tighten the screw and nut securely.

3.23 E2-Type Key (10 Through 19 Units): Remove the two space mounting screws with the 3-inch C screwdriver. Hold the shoulder screw nut with the 485A pliers, and remove the shoulder screw with the KS-6854 screwdriver. Remove the tie piece mounting screws with the 3-inch C screwdriver. The two units can now be separated. Replace the locking plate as covered in 3.21. Reposition the tie pieces, and tighten the screws securely. Replace the shoulder screw in the link, and tighten the screw and nut securely. Replace the two spacers, and tighten the screws securely. (See Fig. 57.)

Plunger Rod, Plunger, and Helical Spring

3.24 Plunger Rod: To remove a plunger rod, first remove the key button, lockwasher, and nut as covered in 3.07, 3.08, and 3.09. If riveted plunger rod on B7-type key is being replaced, remove rivet as covered in 3.12. Continue as covered for the helical spring and plunger in 3.25.

3.25 To remove a plunger (which is not part of the plunger rod), a helical spring, or a plunger rod from which the button has been removed, as covered in 3.25, remove the spring

assembly mounting bracket or block screws with the 3-inch C screwdriver or 206 or 207 offset screwdriver and remove the spring assembly. The helical spring, plunger, or plunger rod may now be removed and replaced. If plunger rods equipped with plunger rollers are being replaced, it may be necessary to remove the keytop and loosen the key base and mounting stud as covered in 3.10 and 3.12 in order to obtain enough clearance to remove the plunger rods. If these parts are being replaced on the 1- or 6-type key units where the spring assembly clamping screws are not accessible or on other keys where the spring assembly mounting screws are not accessible with the 3-inch C screwdriver or 206 or 207 offset screwdriver, first remove the keytop as covered in 3.10 and remove the key unit mounting screws with the 3-inch C screwdriver. Then remove the spring assembly mounting bracket or block as covered above or, in the case of 1- or 6-type key units, remove the spring assembly clamping screws and remove the spring pileup to replace the parts. After replacement, reassemble the parts and tighten all the clamping and mounting screws securely.

3.26 E1- and E2-Type Key (0 Through 9 Units): Remove the plunger rod or helical spring as covered in 3.24 and 3.25; the locking plate should be held in the operated position in order to remove the plunger rod from the frame.

3.27 E-2 Type Key (10 Through 19 Units): Separate the two units as covered in 3.23. Remove the plunger rod or helical spring as covered in 3.26.

3.28 499-, 523-, and 524-Type Keys: Remove the keytop mounting screws with the 3-inch C screwdriver and remove the key from its cover. If the plunger rod is to be replaced, remove the key button, washer, and nut as covered in 3.07. If the plunger or helical spring is to be replaced, the button does not need to be removed. Loosen the mounting strip screws with the 3-inch C screwdriver and remove and replace the helical spring without entirely removing the mounting strip from the keytop. If the plunger or plunger rod is being replaced, remove the mounting strip screws and move the mounting strip and spring assemblies sufficiently to permit the removal of the plunger or plunger rod. If possible, hold the key in a horizontal position to prevent the springs and plungers on adjacent units from dropping off. Reassemble the parts and tighten all screws securely. (See Fig. 58.)

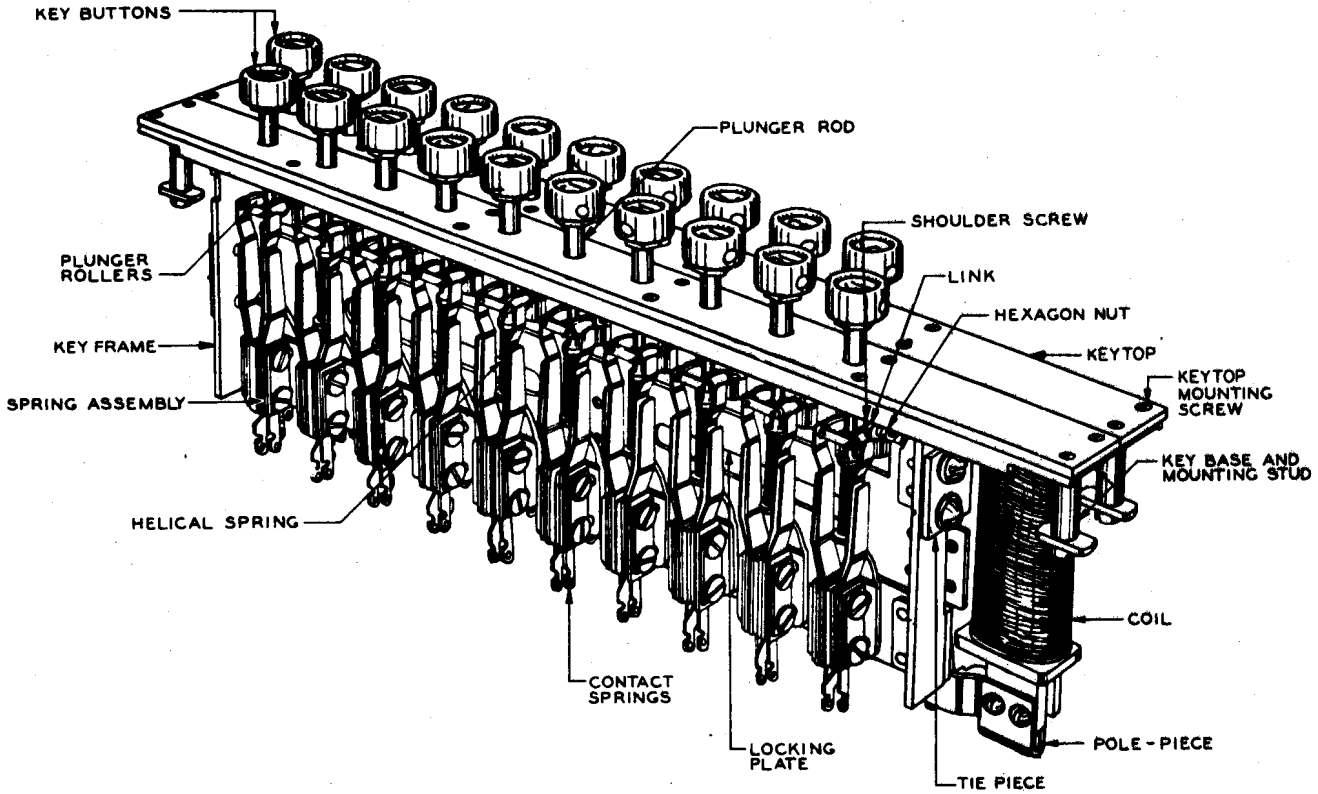


Fig. 57—E2-Type Key

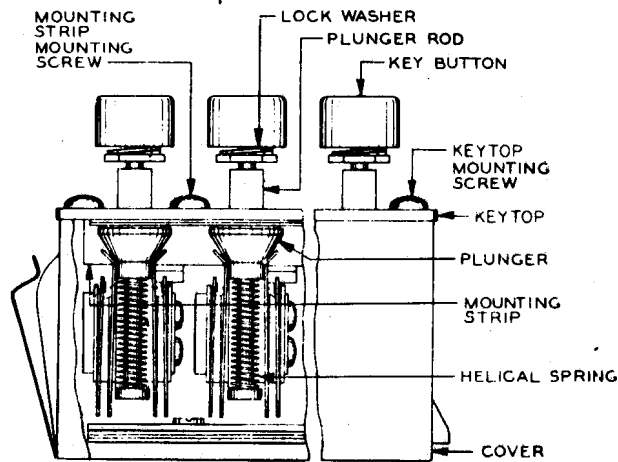


Fig. 58—499-Type Key

Contact Springs—E1- and E2-Type Keys

3.29 Remove the spring assembly mounting bracket screws with the 3-inch C screwdriver and remove the spring assembly. Remove the spring assembly clamping screws with the 3-inch C screwdriver, and replace the spring requiring replacement. Reassemble the parts, and tighten all screws securely.

3.30 To replace a spring in the 10 through 19 units of an E2-type key, first separate the two units as covered in 3.23. Replace the spring as covered in 3.29.

Coil—E1- and E2-Type Keys

3.31 Remove the keytop as covered in 3.10. Remove the magnet coil mounting screws with the 4-inch E screwdriver. Remove the screws fastening the coil to the magnet lead guard with the 3-inch C screwdriver and remove the coil.

Buffer Plates

3.32 *A6-, A7-, A8-, A10-, A11-, A13-, and B3-Type Keys:* To remove buffer plates, first remove all key buttons, keytop, and key base and mounting stud as covered in 3.07, 3.08, 3.09, 3.10, and 3.12. Remove mounting bracket screws with the 4-inch E screwdriver and remove as a unit the mounting bracket, buffer plates, and plunger rod bushings. Remove the shoulder screws with a 3-inch C screwdriver and remove the buffer plates. Position on the mounting bracket the new buffer plates and replace and tighten the shoulder screws. Reposition the mounting bracket and tighten the screws, taking care that the bushings are fully seated. Reassemble the remaining parts, and tighten all screws securely.

3.33 *A28-, A34-, A36-, B5-, B6-, B22-, B23-, B26-, G3-, G4-, E6-, and 545-Type Keys:* To remove buffer plates, first remove the associated key buttons, spring assemblies, and plunger rod assemblies as covered in 3.07, 3.08, 3.09, 3.24, and 3.25, and then remove the buffer plates. After replacement, reassemble the parts and tighten all screws securely.

3.34 *E1- and E2-Type Keys:* Remove all plunger rods as covered in 3.26 and 3.27. Remove the buffer plate shoulder screws with the 3-inch C screwdriver and remove the buffer plates. After

replacement, reassemble the parts and tighten all screws securely.

3.35 *499-, 523-, and 524-Type Keys:* To replace the top buffer plates, remove the associated plunger rods as covered in 3.28. Then replace the buffer plates and reassemble parts and tighten screws securely. To replace bottom buffer plates on 499- and 523-type keys, first remove the keytop mounting screws with the 3-inch C screwdriver and remove the key from its cover. To remove buffer plates at the bottom of the cover, remove shoulder screws with the 3-inch C screwdriver. After replacement, reassemble parts and tighten screws securely.

Button, Sleeve, Plunger and Rod, Helical Spring, and Plunger Spring—223-Type Keys

3.36 Unsolder the wires from the key terminals. Remove the key from the keyshelf by applying the 82 or 82B pin wrench to the key sleeve and turning in a counterclockwise direction. Then unscrew the shell from the sleeve, and replace the parts as required. Reassemble and tighten the sleeve securely. Remount the key and resolder the wires.

3.37 To remove the plunger spring, first remove the key from the keyshelf as covered in 3.36. Remove the spring assembly clamping screws with the 403A wrench and 147 screwdriver. Replace the plunger spring, reassemble the spring pileup, and tighten the assembly clamping screws securely. Remount the key and resolder the leads.

Button, Top Plate, Rod, Frame, and Sleeve—493-Type Keys

3.38 Remove the key mounting screws with the 3-inch C screwdriver and remove the key from the mounting. Hold the bottom of the plunger with the fingers, and remove the key button by turning it in a counterclockwise direction as viewed from the top. Remove the spring assembly mounting screw nearer the contact end of the spring with the 3-inch C screwdriver, and loosen the other mounting screw or, if the frame and sleeve is to be replaced, remove both screws and the spring assembly. Shift the spring sufficiently to allow for the removal of the plunger, and remove the washer and the plunger. Replace and reassemble the parts in the reverse order.

Plunger and Plunger Retaining Latch—520-Type Keys

3.39 Remove the plunger retaining latch screw with the 3-inch C screwdriver. Remove the latch and then the plunger. For keys equipped with a stop ring instead of a retaining latch, insert the 3-inch C screwdriver between the ends of the stop ring and twist the screwdriver, forcing one end of the ring out of the groove in which it is resting. Then grasp the end that has been partially removed with the 485A pliers, and draw the ring farther away from the plunger until it is possible to remove the entire ring from the groove. Remove the plunger from the key shell.

Fiber Key Shields—38-Type Shields

3.40 Remove the key buttons as covered in 3.07 and 3.09. If the key is equipped with key handles, unscrew the handles. With the KS-6854 screwdriver, remove the keytop screws. Exercise care in removing the screws to prevent burring the screw heads. Remove the keytop. Where more than one keytop is removed at a time, label the keytops so that they may be replaced in the same positions. Clean the key, and replace the fiber key shield as covered in Section 032-771-811.