

4-TYPE SIGNALS
REQUIREMENTS
(CONDENSED SECTION FOR 032-550-701)

1. REQUIREMENTS (Also See Section 020-012-711)

1.01 Armature Movement: Max. .005" side play but shall move freely in bearings.

1.02 Visibility of Shutter: In operated position shutter shall cover opening in faceplate. In unoperated position shutter shall not show.

1.03 Clearance Between Shutter and Soldering Terminals — Fig. 1(A): Approx. 1/16" clearance between shutter and soldering terminals, with signal operated.

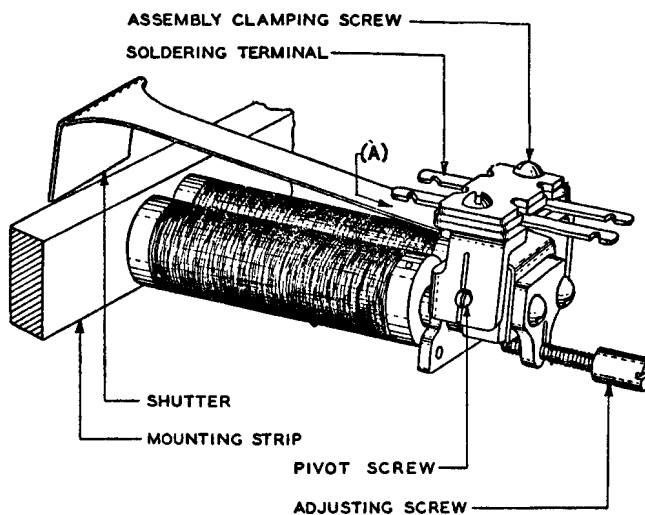


Fig. 1 — 4-Type Signal