

B-, C-, G-, AND J-TYPE RELAYS

PIECE-PART DATA AND REPLACEMENT PROCEDURES

1. GENERAL

1.01 This section covers the information necessary for ordering parts to be used in the maintenance of C- and J-type relays and two styles of B- and G-type relays. The old style B- and G-type relays are referred to as Initial Design while the new style B- and G-type relays are referred to as Modified Design. The Modified Design may be distinguished by bushing inserts in the adjusting plate. It also covers approved procedures for replacing these parts.

1.02 This section is reissued to incorporate material from the addendum in its proper location. In this process marginal arrows have been omitted.

1.03 Part 2 of this section covers the piece-part numbers and the corresponding names of the parts which it is practical to replace in the field in the maintenance of the relays covered by this section. No attempt should be made to replace parts not designated. Part 2 also contains explanatory information is called Piece-part Data.

1.04 Part 3 of this section covers approved procedures for the replacement of the parts covered in Part 2. This information is called Replacement Procedures.

2. PIECE-PART DATA

2.01 The figures included in this part show the various parts in their proper relation to the other parts of the relay. The piece-part numbers of the various parts are given together with the names of the parts as listed by the Western Electric Company Merchandise Department. Where these names differ from those in general use in the field, the latter names, in some cases, are shown in parentheses.

2.02 Information regarding paper armature stops for the B- and G-type relays and paper backstops for the B-, G-, and J-type relays is covered in Section 040-506-701 for the B- and G-type relays and Section 040-512-701 for the J-type relays.

2.03 When ordering parts for replacement purposes, give the piece-part number as well as the name of the part. Example: P-15A612 Cover Cap. Do not refer to the BSP number or any information shown in parentheses following piece-part numbers.

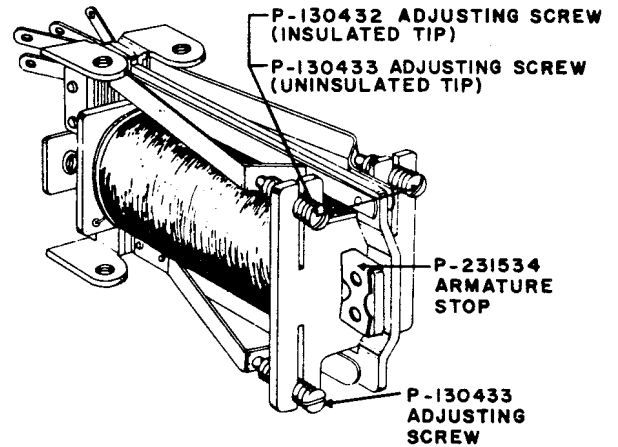
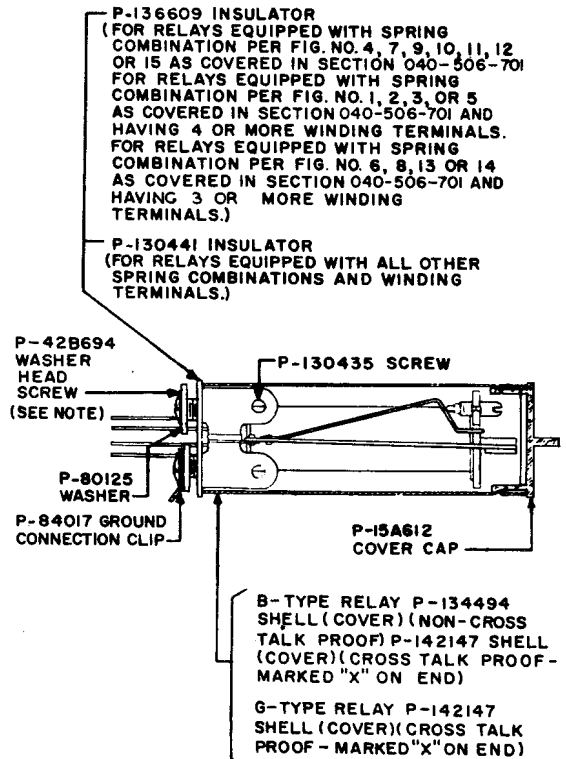


Fig. 1 - B- and G-type Relays - Initial Design



NOTE: IF THE NO. 26A TERMINAL PUNCHING IS TO BE USED WITH B- OR G-TYPE RELAYS OF THE INITIAL DESIGN, ORDER P-126320 SCREWS FOR USE IN PLACE OF P-42B694 SCREWS. (TERMINAL PUNCHING IS MOUNTED UNDER HEADS OF SCREWS)

Fig. 2 - B- and G-type Relays - Bottom View - Initial Design

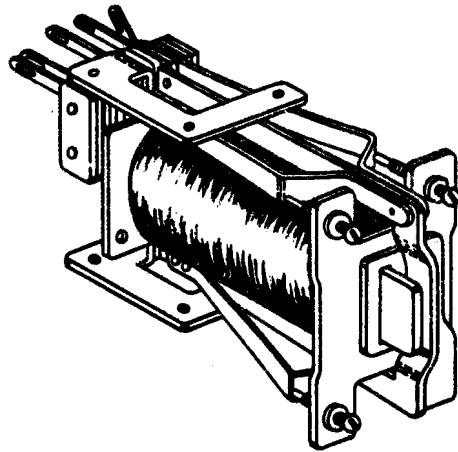
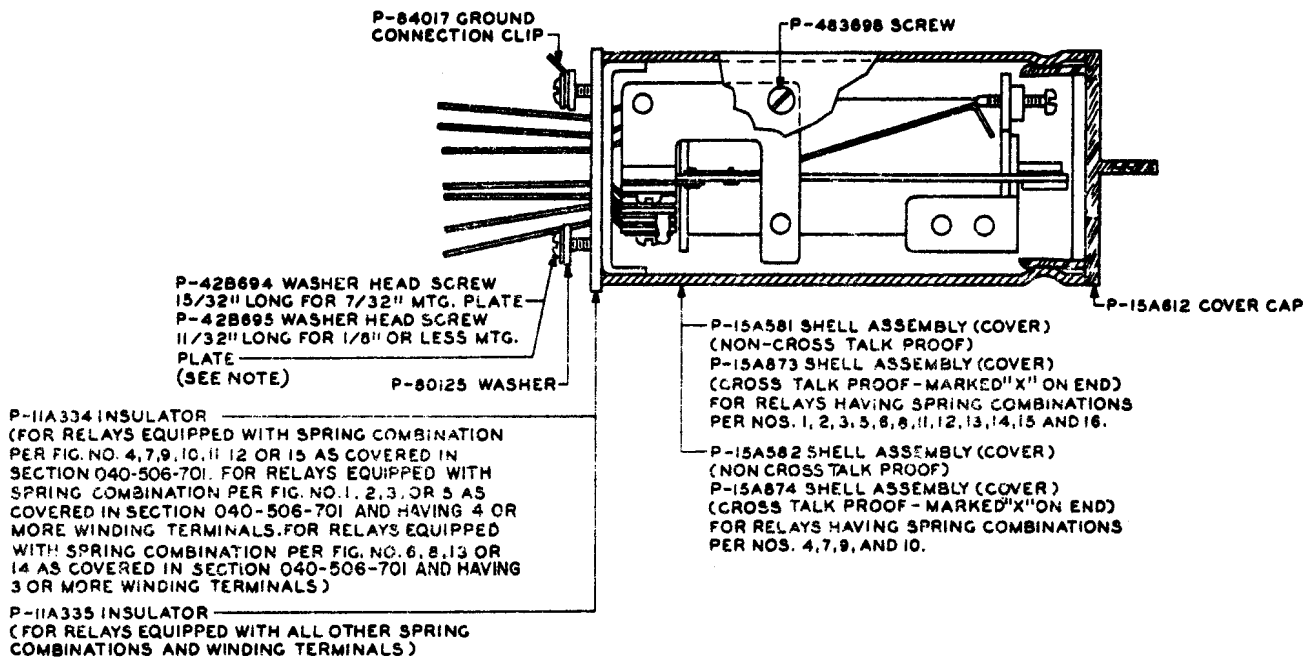


Fig. 3 - B- and G-type Relays - Modified Design



NOTE: IF THE NO. 26A TERMINAL PUNCHING IS TO BE USED WITH B- OR G- TYPE RELAYS OF THE MODIFIED DESIGN, ORDER P-126320 SCREWS FOR USE IN PLACE OF P-42B694 SCREWS FOR 7/32 INCH THICK MOUNTING PLATES, AND P-111552 SCREWS IN PLACE OF P-42B695 SCREWS FOR 1/8 INCH OR THINNER MOUNTING PLATES. (TERMINAL PUNCHING IS MOUNTED UNDER HEADS OF SCREWS)

Fig. 4 - B- and G-type Relays - Bottom View - Modified Design

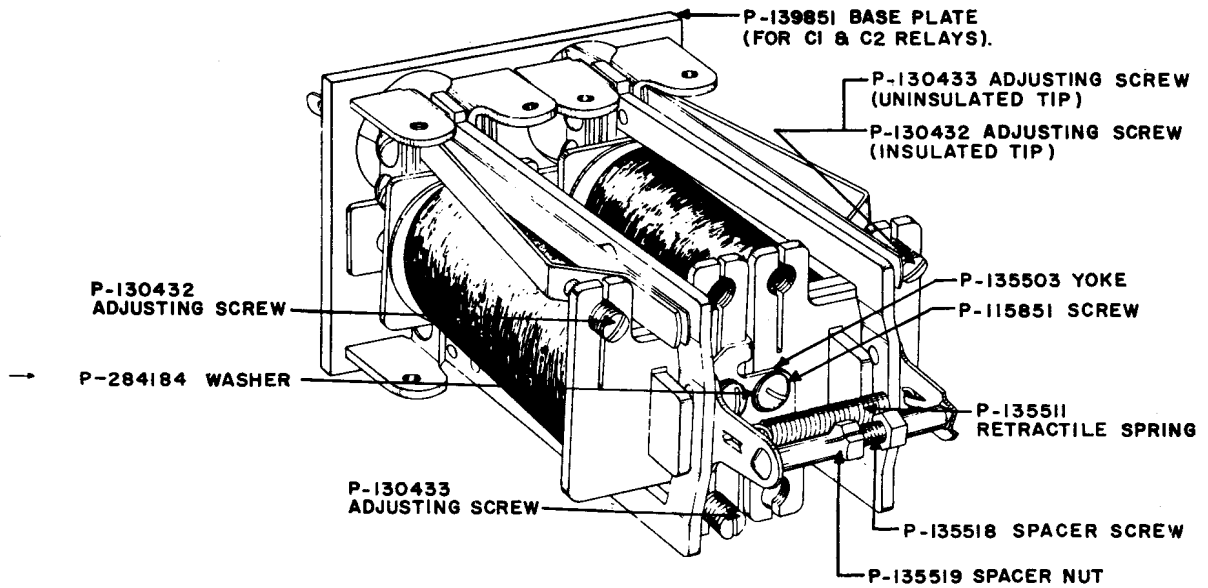
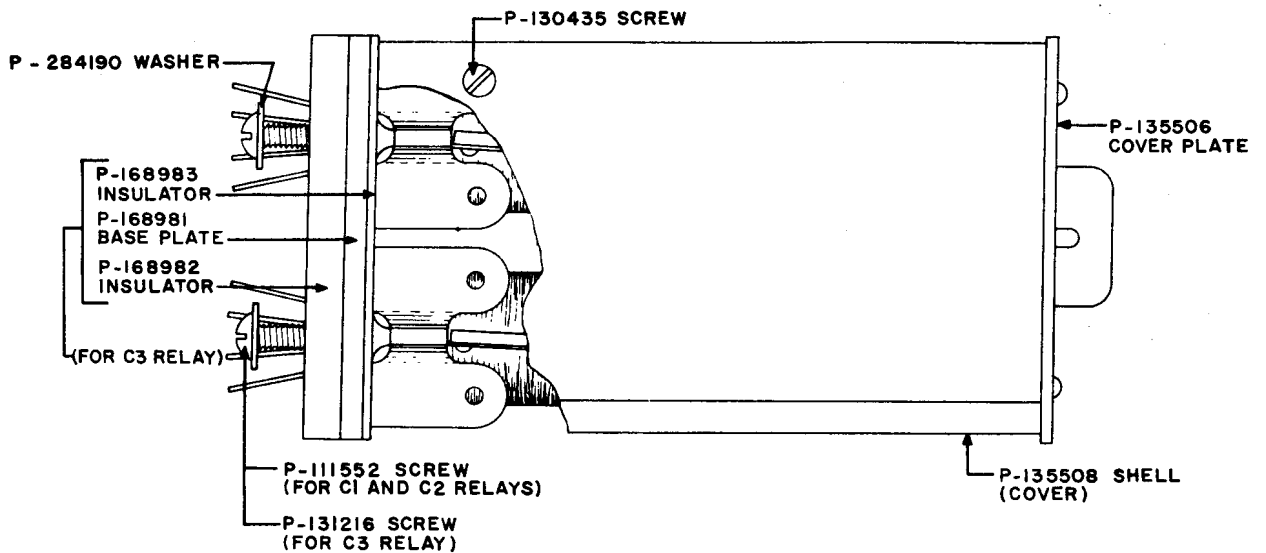


Fig. 5 - C-type Relay



PARTS NOT ILLUSTRATED

- P-229874 SCREW - (BASE PLATE MOUNTING SCREWS) (FOR C1 AND C2 RELAYS)
 - P-118253 SCREW - (BASE PLATE MOUNTING SCREW)
 - P-150190 BASE PLATE WASHER (BRASS)
 - P-88269 BASE PLATE WASHER (RUBBER)
 - P-121472 BASE PLATE BUSHING
- (FOR C3 RELAY)

Fig. 6 - C-type Relay - Bottom View

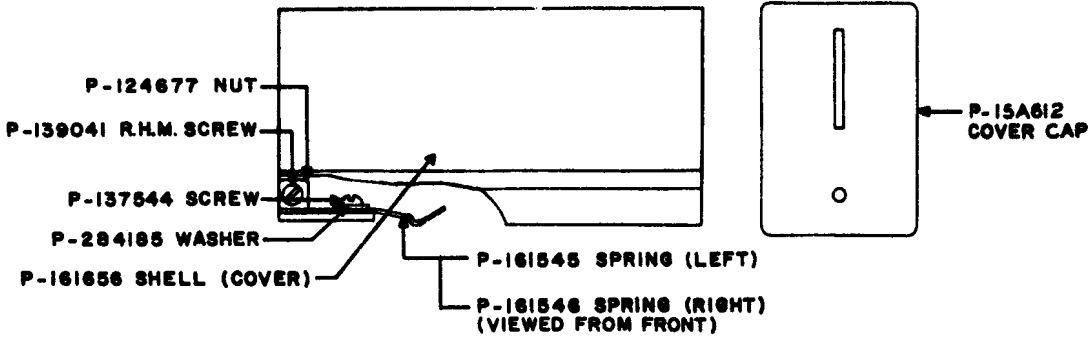


Fig. 7A

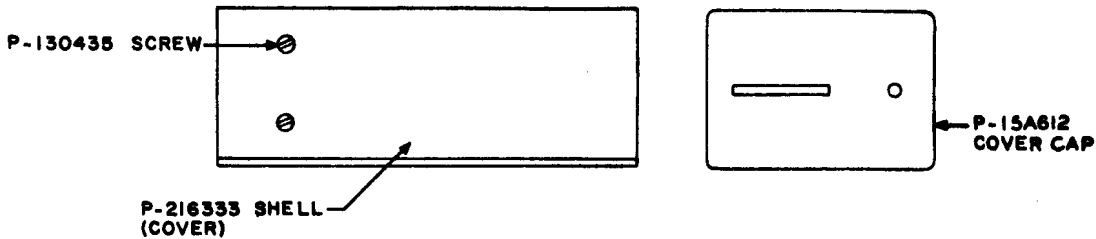


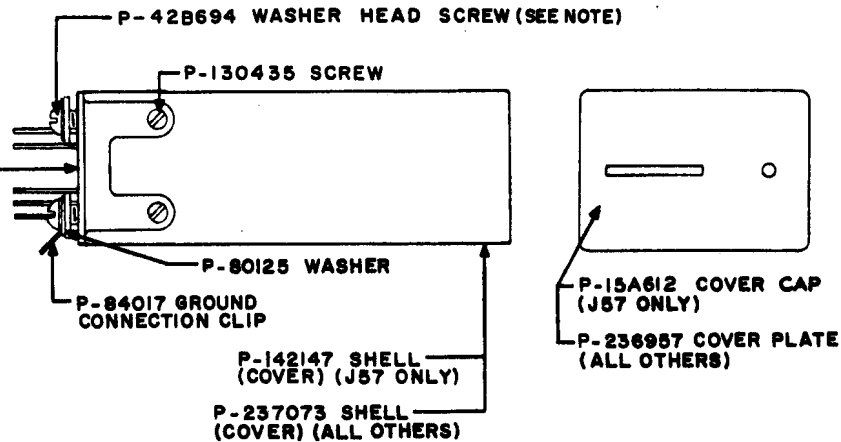
Fig. 7B



Fig. 7C

P-136609 INSULATOR (FOR RELAYS EQUIPPED WITH SPRING COMBINATION NO. 2, 3, 4, OR 5 AS COVERED IN SECTION 040-512-701 FOR RELAYS EQUIPPED WITH SPRING COMBINATION NO. 1, 6, 7, OR 9 AS COVERED IN SECTION 040-512-701 AND HAVING 3 OR MORE WINDING TERMINALS. FOR RELAYS EQUIPPED WITH SPRING COMBINATION NO. 8 AND HAVING 4 OR MORE WINDING TERMINALS.)

P-130441 INSULATOR (FOR RELAYS EQUIPPED WITH ALL OTHER SPRING COMBINATIONS AND WINDING TERMINAL ARRANGEMENTS.)



NOTE: IF THE NO. 26A TERMINAL PUNCHING IS TO BE USED WITH A J-TYPE RELAY, ORDER P-126320 SCREWS FOR USE IN PLACE OF P-428694 SCREWS. (TERMINAL PUNCHING IS MOUNTED UNDER HEADS OF SCREWS)

Fig. 7D

Fig. 7 - Shells (Covers) and Cover Plates for J-type Relays

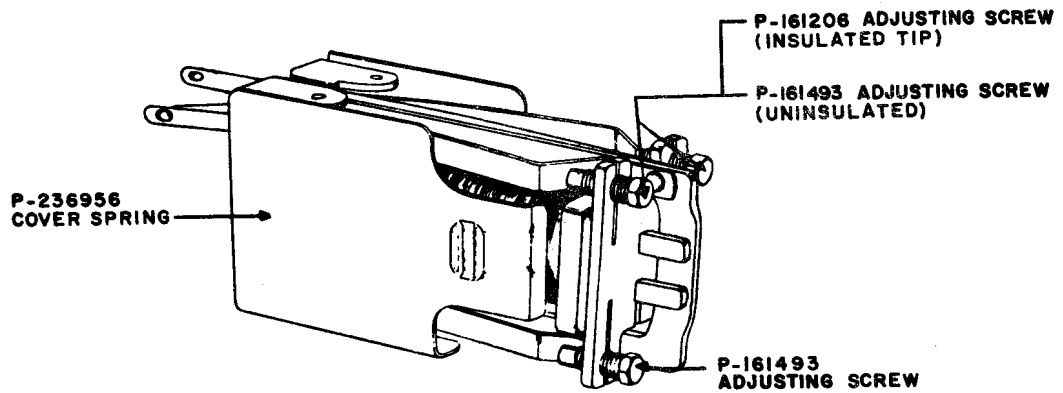


Fig. 8 - J-type Relay

3. REPLACEMENT PROCEDURES**3.001 List of Tools**

<u>Code or Spec No.</u>	<u>Description</u>
<u>Tools</u>	
72	Combination 5/32- and 3/16-inch Hex. Double-end Socket Wrench and Screwdriver
206	30-degree Offset Screwdriver
207	90-degree Offset Screwdriver
KS-6854	Screwdriver
-	4-inch Regular Screwdriver

3.002 After making any replacement of parts of a B-, C-, G-, or J-type relay, the part or parts replaced shall meet the readjust requirements involved as specified in Section 040-506-701 for the B- and G-type relays, Section 040-508-701 for the C-type relays, and Section 040-512-701 for the J-type relays. Other parts whose adjustments may have been directly disturbed by the replacing operations shall be checked to the readjust requirements and an over-all operation check shall be made of the relay before restoring the circuit to service.

3.003 No replacement procedures are specified as the replacement consists of simple operations.