

186-TYPE RELAYS
REQUIREMENTS
(CONDENSED SECTION FOR 040-224-701)

1. REQUIREMENTS (Also See Section 020-012-711)

1.01 *Armature Movement:* Move freely in bearings. Not bind anywhere.

1.02 *Flexible Contact Spring Position:* Fig. 1 (A) — Rest on stop spring, at least on front end.

1.03 *Contact Separation:* Minimum 0.005 in.

1.04 *Contact Follow:* Fig. 1 (A) — Perceptible clearance between upper flexible spring and upper stop spring, at least at front end, with relay manually operated.

1.05 *Armature Airgap:* Fig. 1 (B) — Armature not touch core as relay operates electrically.

1.06 *Armature Clearance:* Operated position, minimum 0.008 inch between armature and lower stop spring.

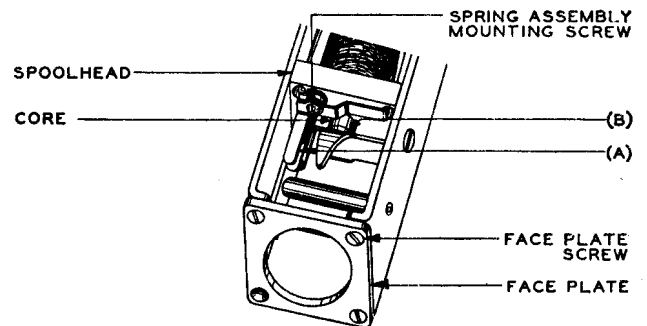


Fig. 1 — Armature Airgap