

J-TYPE RELAYS REQUIREMENTS (CONDENSED SECTION FOR 040-512-701)

1. REQUIREMENTS (Also See Section 020-012-711)

1.01 Contact Spring Tension: 70F Gauge

- (a) Figs. 4 and 5 only. Number 2 spring against front armature stud — Max 4 grams.
- (b) Fig. 9 only. Number 1 spring against its support — Min 5 grams. Remove cover to check.

1.02 Armature Travel: 66D Gauge

- (a) 0.023 inch unless otherwise specified.
- (b) For J17 Relay — 0.010 inch.
- (c) For J26, J28, J30 and J38 — 0.035 inch.
- (d) For relays per Fig. 9. As covered on circuit requirement table. Tolerance (T and R) + 0.005 inch, -0.000 inch.

Keep armature travel near minimum consistent with meeting other requirements.

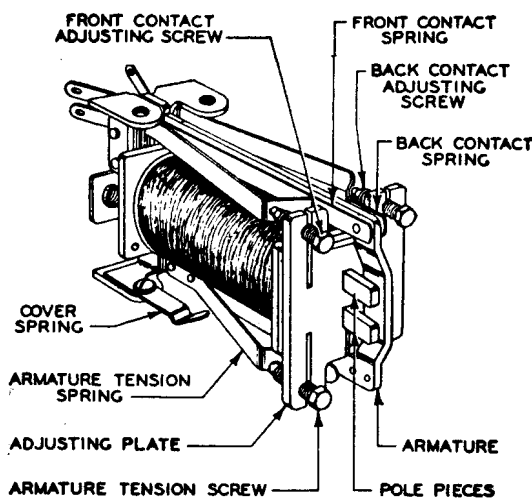


Fig. 101 — J-type Relay

1.03 Contact Follow: 66D Gauge unless otherwise specified

- (a) 0.003 inch.
- (b) 0.004 inch on J9 relay.
- (c) Requirement is met if contacts make with armature held against specified gauge.
- (d) Fig. 2 or 8 — No contact follow specified.
- (e) Fig. 9 — For Contact "B" — 0.003 inch — Hold near minimum. For contact "A," see Table A.

TABLE A

ARM. TRVL	CONTACT FOLLOW		
	MIN	MAX	
0.025 in.	0.008 in.	0.013 in.†	←
0.030 in.	0.013 in.†	0.018 in.†	←
0.035 in.	0.015 in.	0.020 in.	
0.040 in.	0.020 in.	0.025 in.	

†No. 131A gauge. Follow on contact "A" satisfactory if contact makes with minimum gauge applied and does not make with maximum gauge. Relay operated electrically where DC operate is specified, otherwise hold armature against gauge manually.

1.04 Contact Separation

- (a) 0.005 inch. 74D gauge.
- (b) Contact "A" — Fig. 9 — No separation specified.

1.05 Armature Tension: 5 grams against back contact or stop. 70F gauge.

SECTION 040-934-701

Exceptions

J4,J5,J6,J8	No tension specified
J22,J33,J34,J36, J52,J53	3 grams
J55	4 grams
J26,J28	7 grams
J30,J38	8 grams

Keep tension near minimum. Measure tension as armature leaves back contact or stop. Apply gauge back of armature between pole-pieces. Release on open circuit.

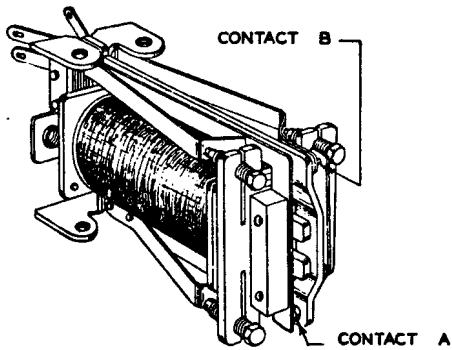
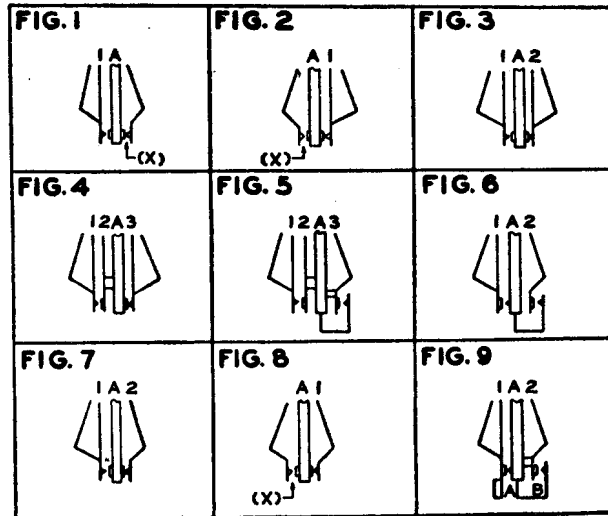


Fig. 102 - Pendulum-type Relay

1.06 Armature Tension Spring Position: For armature tension springs which extend in front of adjusting plate keep a perceptible clearance between armature and spring and between spring and adjusting plate, relay operated or unoperated.



Figures 2 and 8 equipped with heavy front stop springs. Fig. 9 pendulum-type contact. Contacts marked (X) are for armature stop purposes and do not form part of electrical circuit.