

RELAYS  
L, N AND S TYPES  
REQUIREMENTS  
(CONDENSED SECTION FOR 040-514-701)

1. REQUIREMENTS (Also See Section 020-012-711)

1.01 *Clearance Between Contact Spring and Retractable Spring:* Fig. 1(A) — Contact spring and its support shall not touch sides of slot in retractile spring in operated or unoperated position of armature.

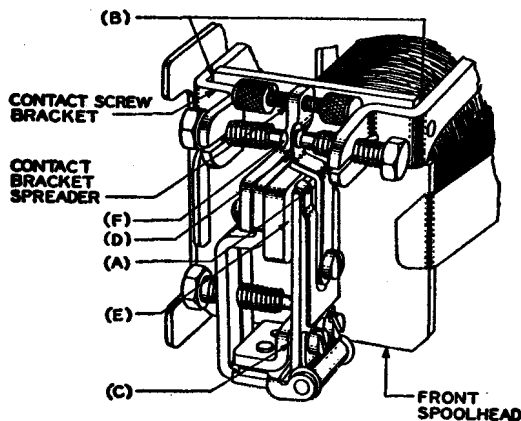


Fig. 1 — Relay Equipped With Contact Bracket Spreader

1.02 *Armature Movement:* Free in bearings— (does not apply to reed-type relays).

1.03 *Contact Screw Bracket Pressure:* 285 grams against spoolhead or nuts of contact bracket spreader. No. 62B gauge.

1.04 *Contact Screw Bracket Position*

- (a) All relays:
- (1) Studs on brackets fall within slots in spoolhead.
- (b) Relays with contact bracket spreader, Fig. 1(B):

(1) Min 0.006 inch between bracket and spoolhead.

(2) 1/64 inch between top of spreader and cover, or insulate cover above spreader with single layer of scotch cellulose tape, if cover is not already so insulated.

1.05 *Base Gap (Readjust Only):* Fig. 1(C) — Min 0.009 inch, Max 0.011 inch. No. 74D gauge.

1.06 *Contact Spring Pressure*

Relays with Flexible Contact Springs

(a) Fig. 1(D): Min 3, Max 7 grams against spring support. No. 70F gauge. For "test" the requirement is met if contact spring rests on support at least within 1/16 inch of extreme end of support.

Relays With Solid Contact Springs

(b) 400 grams against top edge of retractile spring or armature. No. 62B gauge with armature removed. For "test" the requirement is met if:

(1) Contact spring rests on top edge of retractile spring or armature.

(2) If contact spring rests on retractile spring, the top edge of retractile spring underneath contact spring shall rest on armature.

1.07 *Armature Travel:* Fig. 1(E) — Min 0.009 inch, Max 0.011 inch. No. 74D gauge.

1.08 *Contact Separation:* Fig. 1(F) — Min 0.003 inch, Max 0.005 inch. No. 74D gauge.

1.09 *Electrical Requirements:* For relays with covers, meet requirements with cover on, cover cap on or off.