

065-215-200
847138476
6-97
Issue 7

Lucent Technologies
Bell Labs Innovations



065-215-200

**Bay Frame
Application Planning
Engineering
Ordering Guide**



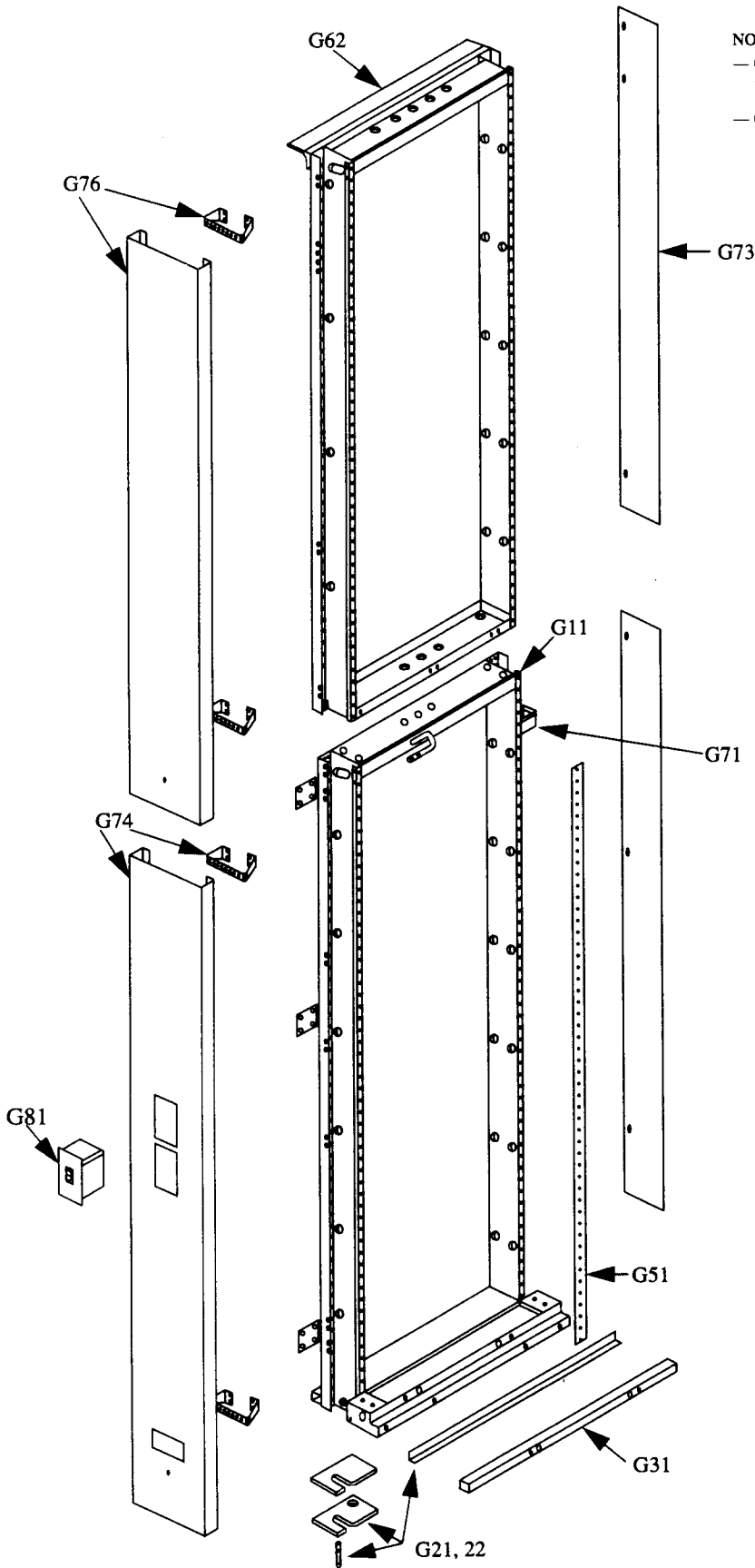
BAY FRAME APPLICATION PLANNING ENGINEERING ORDERING GUIDE

THIS GUIDE IS INTENDED FOR:
ENGINEERING APPLICATION INSTALLATION ORDERING

ADDITIONAL COPIES OF THIS GUIDE
MAY BE OBTAINED FROM:

LUCENT TECHNOLOGIES
CUSTOMER INFORMATION CENTER
P.O. BOX 19901
INDIANAPOLIS, IN 46219
1-888-582-3688

TABLE OF CONTENTS	
Description	Page No.
Quick Delivery Kit Combination Orders	2-3
Bay Frames	
800 Type (Seismic)	4,5
801 Type (Seismic)	6,7
500 Type (Network)	8,9
501 Type (Network)	10,11
Accessories	
Concrete Floor Attachment	12, 13
Raised Floor Attachment	14 - 17
Cable Rack Attachment	15, 17
AUX Frame Attachment	15, 17
Frame Extenders	18, 19
Guard Rail Extenders & Adapters	18, 19
End Guards & End Shields	20, 21
Cable Duct Expanders	22, 23
End Guards With Cable Duct Expanders	24, 25
AC Raceways	26, 27
Panel Mounting Adapters	28, 29
Cable Tie Hardware	29
ESD Ground Strap	29
Panel Ground Terminal	29



NOTES:

— G12, 23, 24, 32, 33, 34, 41,
42, 61, 72, AND 75 NOT SHOWN.

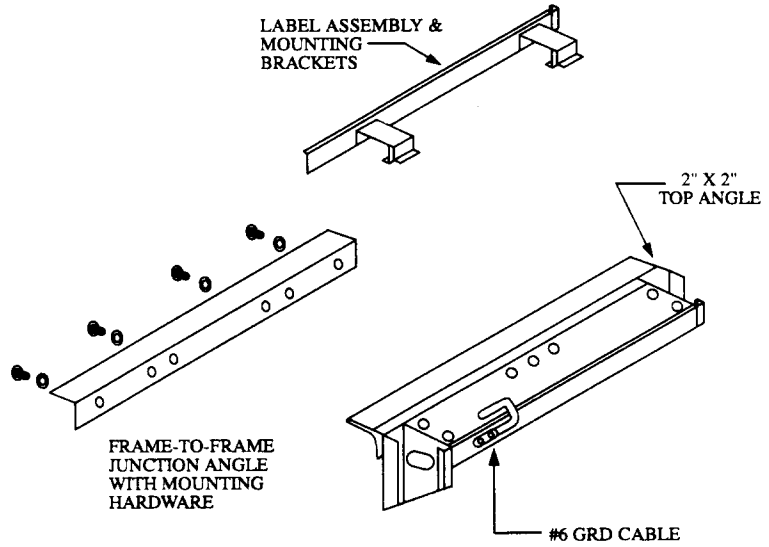
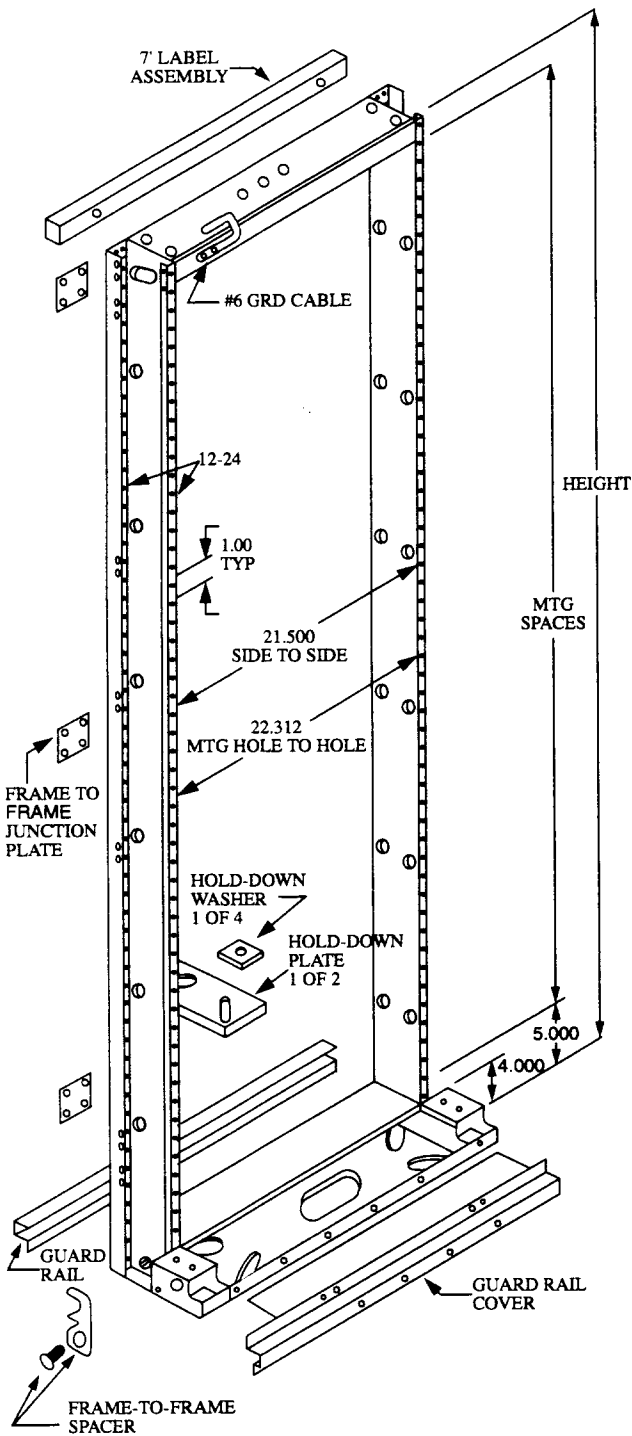
— GROUP NUMBERS SHOWN ARE
FROM ED8C812-50

BAY FRAME QUICK-DELIVERY KITS

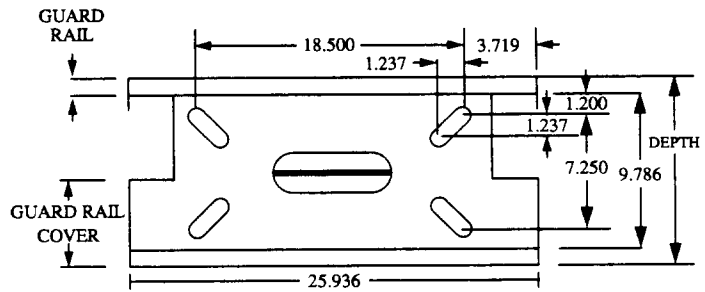


BAY FRAME QUICK-DELIVERY ORDERING & ENGINEERING GUIDE		
OPTIONS	DESCRIPTION	ORDER NUMBER
7' - 0" FRAME	ED8C800-50, G1 Seismic frame with cable tie bars, ESD wrist strap, and 5-panel ground terminal	ED8C812-50, G11
	ED8C801-50, G1 Seismic frame with cable tie bars, ESD wrist strap, and 5-panel ground terminal	ED8C812-50, G12
	ED8C500-50, G1 Network frame with cable tie bars, ESD wrist strap, and 5-panel ground terminal	ED8C812-50, G13
	ED8C501-50, G1 Network frame with cable tie bars, ESD wrist strap, and 5-panel ground terminal	ED8C812-50, G14
FLOOR ATTACHMENT	Concrete zones 0-2 anchors with shims, molding and ground ISO hdwe.	ED8C812-50, G21
	Concrete zones 3-4 anchors with shims, molding and ground ISO hdwe.	ED8C812-50, G22
	AT&T Access FL, Zones 0-1 with GRD ISO hardware	ED8C812-50, G23
	AT&T Access FL, Zones 2-4 with GRD ISO hardware	ED8C812-50, G24
AC RACEWAY	One side with OPT outlet	ED8C812-50, G31
	Both sides with OPT outlet	ED8C812-50, G32
	AC supply to raceway	ED8C812-50, G33
	AC feed front-to-rear raceway	ED8C812-50, G34
OVERHEAD ATTACHMENT	Digital cableway junction screws	ED8C812-50, G41
	ESS™ cable rack junction plate and hardware	ED8C812-50, G42
PANEL MTG ADPTR	1-3/4" X 23"	ED8C812-50, G51
FRAME EXTENDER	2' - 0" with cable tie bars and V-bolt for 0" to 8" spaced AUX FRMG — top angle closed duct	ED8C812-50, G61
	4' - 6" with cable tie bars and V-bolt for 0" to 8" spaced AUX FRMG — top angle closed duct	ED8C812-50, G62
	2' - 0" with cable tie bars and V-bolt for 0" to 8" spaced AUX FRMG — top angle open duct	ED8C812-50, G63
	4' - 6" with cable tie bars and V-bolt for 0" to 8" spaced AUX FRMG — top angle open duct	ED8C812-50, G64
END SHIELD	End shield	ED8C812-50, G71
	End shield with 2' - 0" extender	ED8C812-50, G72
	End shield with 4' - 6" extender	ED8C812-50, G73
END GUARD	End guard with cable ties	ED8C812-50, G74
	End guard with 2' - 0" extender with cable ties	ED8C812-50, G75
	End guard with 4' - 6" extender with cable ties	ED8C812-50, G76
	End guard light SW (one standard and one 24 volt) armored cable not furnished	ED8C812-50, G81
	Right side brackets for mounting seismic end guard to 500/501 frames	ED8C812-50, G78
	Left side brackets for mounting seismic end guard to 500/501 frames	ED8C812-50, G79

— Quick-delivery items are available on an expedited basis. Multiple items on the same order will ship together.



FRAME WITH TOP ANGLE ON
 CLOSED DUCT (CD) SIDE
 (9' AND HIGHER)



BOTTOM VIEW

"800" SEISMIC BAY

INSTALLATION NOTES:

- CRIMP GROUND CABLE TO FRAME AISLE GROUND USING "C" TAP SUPPLIED WITH FRAME AND THOMAS & BETTS TBM2 OR TBM3 CRIMPING TOOL AND DIE CODE BROWN



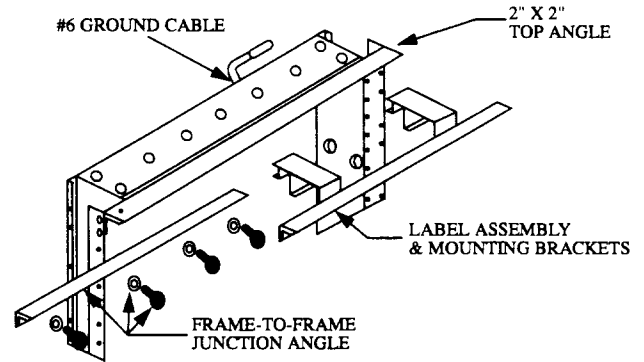
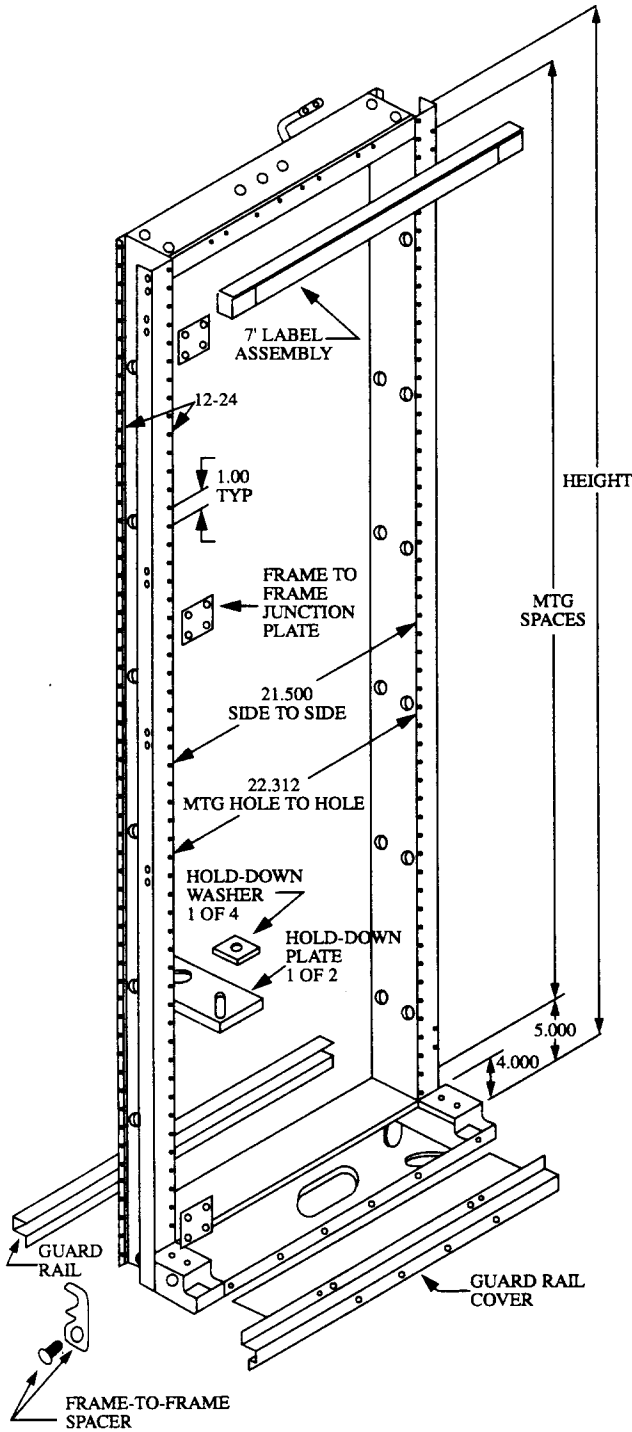
NOTES:

- The “800” series seismic network bay frame has the open duct facing the guard rail cover.
- Ground cable (preattached), guard rails, label assembly, and frame-to-frame junction hardware included with frame.
- Anchors, extenders, and other hardware ordered separately or with bay frames using quick kits.
- Welded steel construction.
- Soft blue finish; other colors on request.
- Designed and tested for earthquake zones 0 through 4.

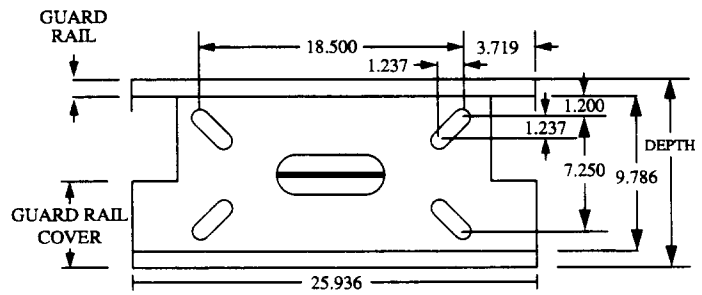
Order Number	Height	1-Inch Mtg. Spaces	Top Angle	Guard Rail	Guard Rail Cover	Depth
ED8C800-50, G1*	7'-0"	78	—	1"	6"	12"
ED8C800-50, G2	9'-0"	100	CD	1"	6"	12"
ED8C800-50, G3	11'-6"	130	CD	1"	6"	12"
ED8C800-50, G4	7'-0"	76	CD	1"	6"	12"
ED8C800-50, G5	7'-0"	78	—	None	5"	10"
ED8C800-50, G6	7'-0"	78	—	0" - 2"	5" - 6"	10" - 12"
ED8C800-50, G7	8'-0"	88	CD	1"	6"	12"
ED8C800-50, G8	11'-8"	132	CD	1"	6"	12"
ED8C800-51, G2	9'-0"	100	OD	1"	6"	12"
ED8C800-51, G3	11'-6"	130	OD	1"	6"	12"
ED8C800-51, G4	7'-0"	76	OD	1"	6"	12"
ED8C800-51, G7	8'-0"	88	OD	1"	6"	12"
ED8C800-51, G8	11'-8"	132	OD	1"	6"	12"
ED8C800-52, G1**	7'-0"	78	—	1"	6"	12"

* This frame is the recommended standard and shall be ordered as part of the quick-delivery kit (ED8C812-50) shown on Pages 2 & 3.

** 13" wide mounting plates.



FRAME WITH TOP ANGLE ON
 CLOSED DUCT (CD) SIDE
 (9' AND HIGHER)



BOTTOM VIEW

"801" SEISMIC BAY

INSTALLATION NOTES:
 — CRIMP GROUND CABLE TO FRAME AISLE GROUND
 USING "C" TAP SUPPLIED WITH FRAME AND THOMAS & BETTS
 TBM2 OR TBM3 CRIMPING TOOL AND DIE CODE BROWN.

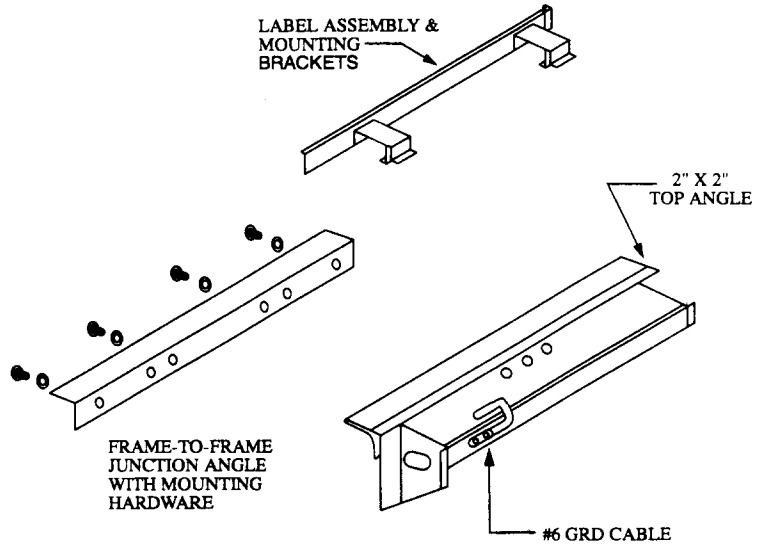
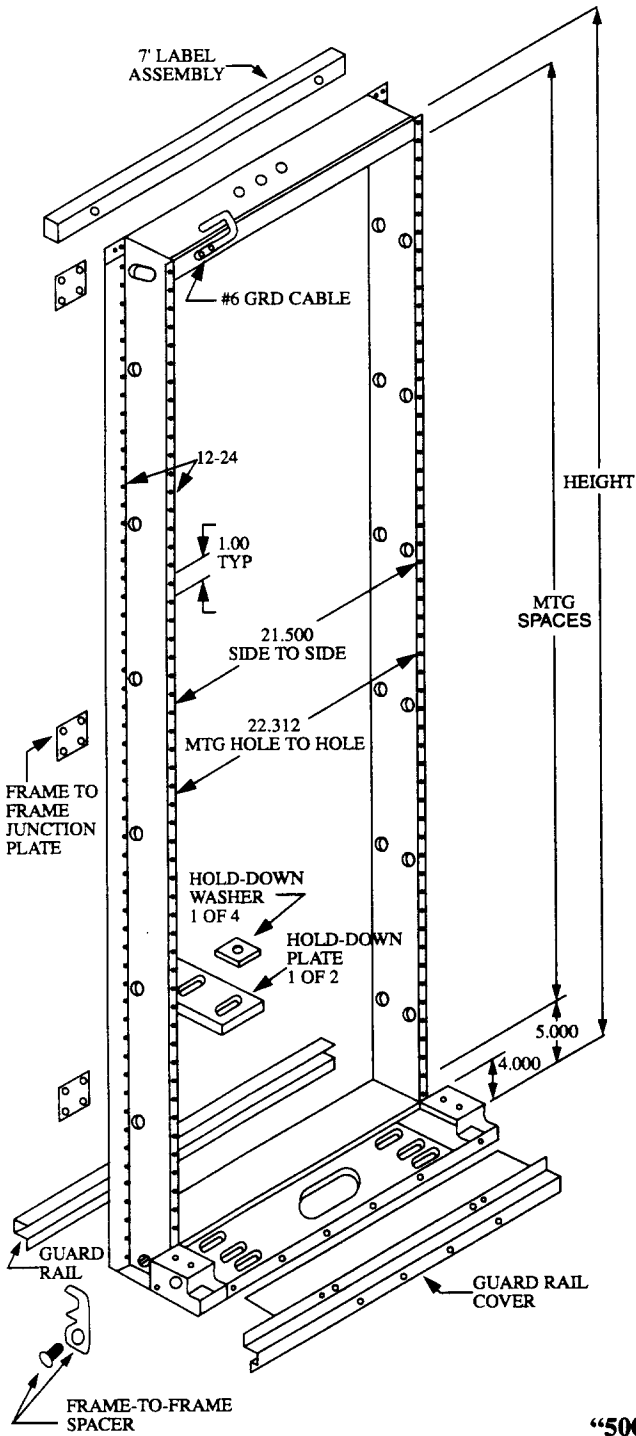


NOTES:

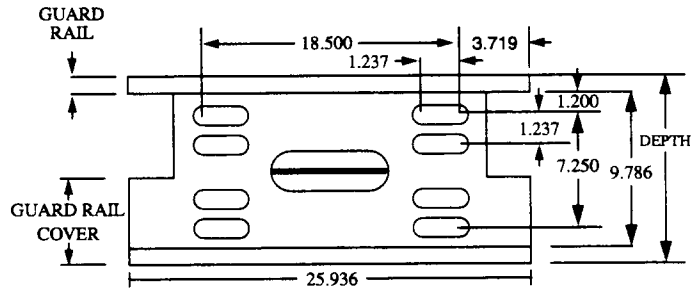
- The “801” series seismic network bay frame has the closed duct facing the guard rail cover.
- Ground cable (preattached), guard rails, label assembly, and frame-to-frame junction hardware included with frame.
- Anchors, extenders, and other hardware ordered separately or with bay frames using combination orders.
- Welded steel construction.
- Soft blue finish; other colors on request.
- Designed and tested for earthquake zones 0 through 4.

Order Number	Height	1-Inch Mtg. Spaces	Top Angle	Guard Rail	Guard Rail Cover	Depth
ED8C801-50, G1*	7'-0"	78	—	2"	5"	12"
ED8C801-50, G2	9'-0"	100	CD	2"	5"	12"
ED8C801-50, G3	11'-6"	130	CD	2"	5"	12"
ED8C801-50, G4	7'-0"	76	CD	2"	5"	12"
ED8C801-50, G5	7'-0"	78	—	None	8"	13"
ED8C801-50, G7	8'-0"	88	CD	2"	5"	12"
ED8C801-50, G8	11'-8"	132	CD	2"	5"	12"
ED8C801-51, G2	9'-0"	100	OD	2"	5"	12"
ED8C801-51, G3	11'-6"	130	OD	2"	5"	12"
ED8C801-51, G4	7'-0"	76	OD	2"	5"	12"
ED8C801-51, G7	8'-0"	88	OD	2"	5"	12"
ED8C801-51, G8	11'-8"	132	OD	2"	5"	12"

* This frame is the recommended standard and shall be ordered as part of the quick-delivery kit (ED8C812-50) shown on Pages 2 & 3.



FRAME WITH TOP ANGLE ON
 CLOSED DUCT (CD) SIDE
 (9' AND HIGHER)



BOTTOM VIEW

"500" NETWORK BAY

INSTALLATION NOTES:

- CRIMP GROUND CABLE TO FRAME AISLE GROUND USING "C" TAP SUPPLIED WITH FRAME AND THOMAS & BETTS TBM2 OR TBM3 CRIMPING TOOL AND DIE CODE BROWN

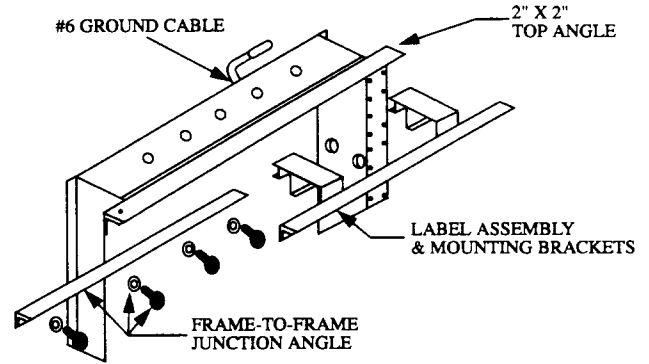
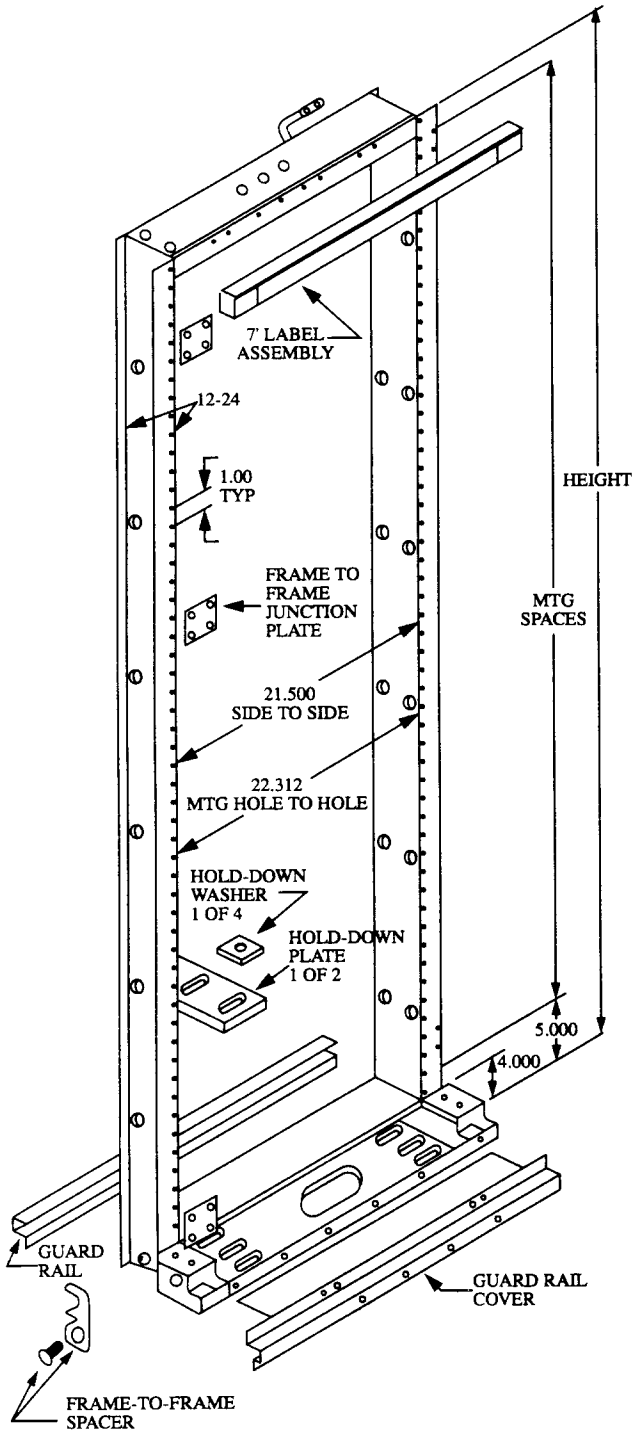


NOTES:

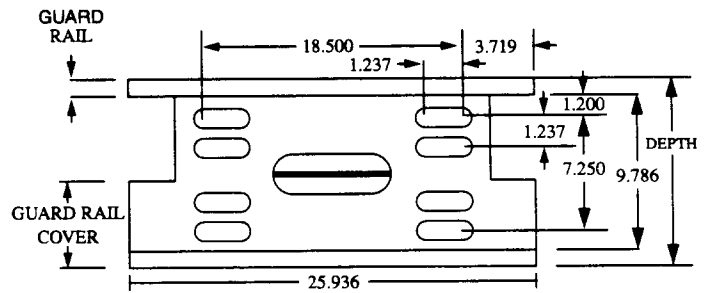
- The “500” series network bay frame has the open duct facing the guard rail cover.
- Ground cable (preattached), guard rails, label assembly, and frame-to-frame junction hardware included with frame.
- Anchors, extenders, and other hardware ordered separately or with bay frames using quick kits.
- Welded steel construction.
- Soft blue finish; other colors on request.

Order Number	Height	1-Inch Mtg. Spaces	Top Angle	Guard Rail	Guard Rail Cover	Depth
ED8C500-50, G1*	7'-0"	78	—	1"	6"	12"
ED8C500-50, G2	9'-0"	100	CD	1"	6"	12"
ED8C500-50, G3	11'-6"	130	CD	1"	6"	12"
ED8C500-50, G5	7'-0"	78	—	None	5"	10"

* This frame is the recommended standard and shall be ordered as part of the quick-delivery kit (ED8C812-50) shown on Pages 2 & 3.



FRAME WITH TOP ANGLE ON
 CLOSED DUCT (CD) SIDE
 (9' AND HIGHER)



BOTTOM VIEW

"501" NETWORK BAY

INSTALLATION NOTES:

- CRIMP GROUND CABLE TO FRAME AISLE GROUND USING "C" TAP SUPPLIED WITH FRAME AND THOMAS & BETTS TBM2 OR TBM3 CRIMPING TOOL AND DIE CODE BROWN.

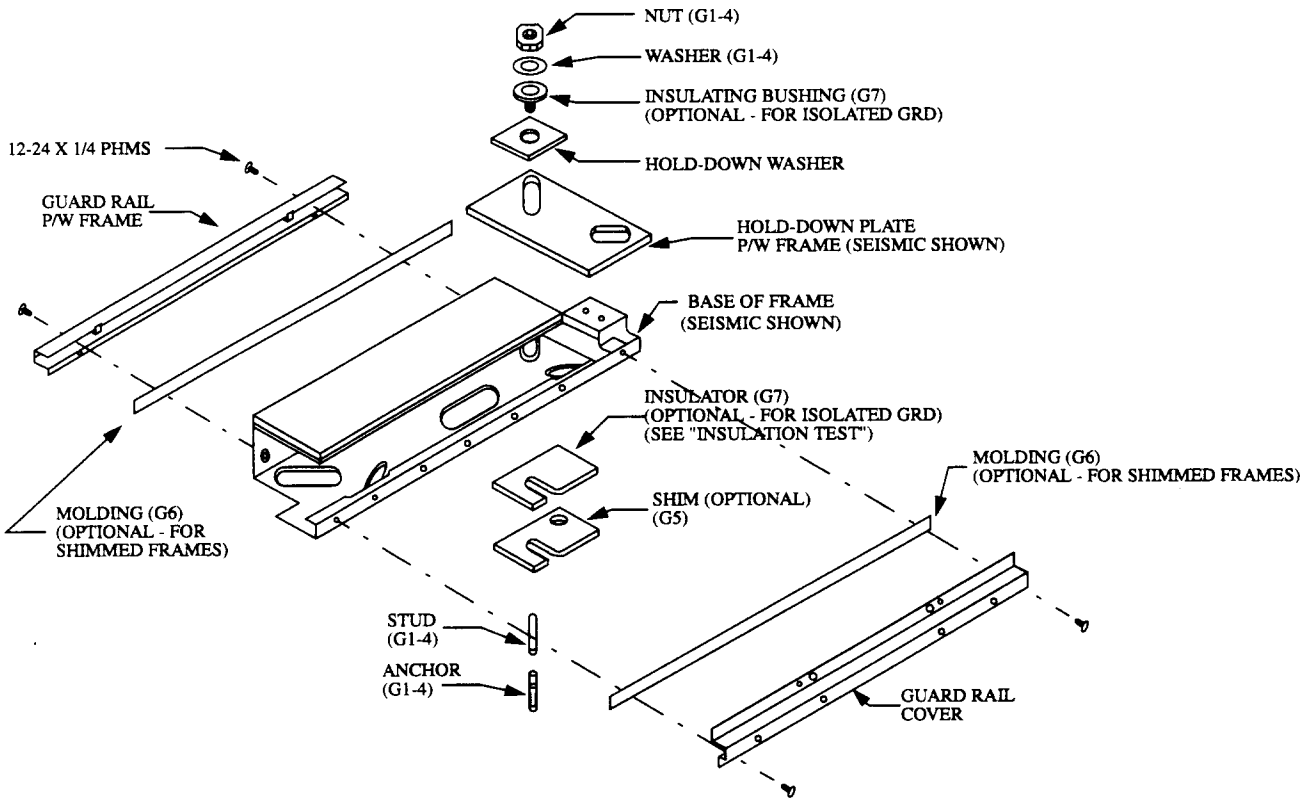


NOTES:

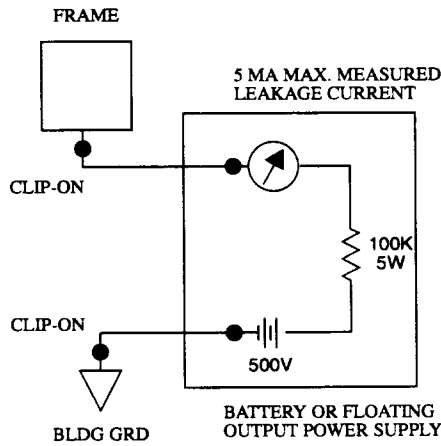
- The “501” series network bay frame has the closed duct facing the guard rail cover.
- Ground cable (preattached), guard rails, label assembly, and frame-to-frame junction hardware included with frame.
- Anchors, extenders, and other hardware ordered separately or with bay frames using quick kits.
- Welded steel construction.
- Soft blue finish; other colors on request.

Order Number	Height	1-Inch Mtg. Spaces	Top Angle	Guard Rail	Guard Rail Cover	Depth
ED8C501-50, G1*	7'-0"	78	—	2"	5"	12"
ED8C501-50, G2	9'-0"	100	CD	2"	5"	12"
ED8C501-50, G3	11'-6"	130	CD	2"	5"	12"
ED8C501-50, G5	7'-0"	78	—	None	8"	13"

* This frame is the recommended standard and shall be ordered as part of the quick-delivery kit (ED8C812-50) shown on Pages 2 & 3.



G-NUMBERS SHOWN ARE PART OF ED8C805-50



INSULATION TEST

FOR
 FRAMES IN ISOLATED GRD SYSTEMS

PERFORM TEST AFTER EACH FRAME INSTALLED,
 LEVELED AND FASTENED, BUT PRIOR TO ATTACHING
 CABLE RACK. CURRENT LEAKAGE NOT TO EXCEED 5 MA.

BAY FRAME FLOOR DETAILS



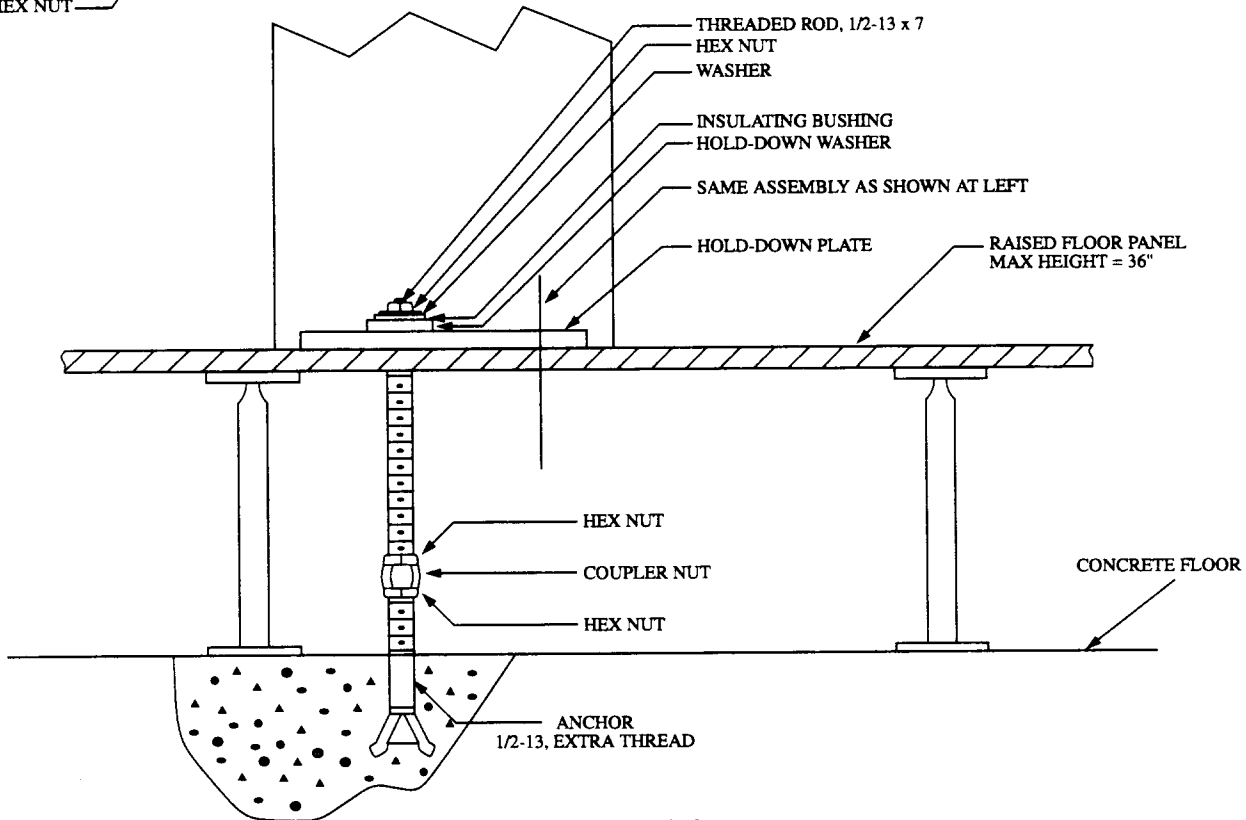
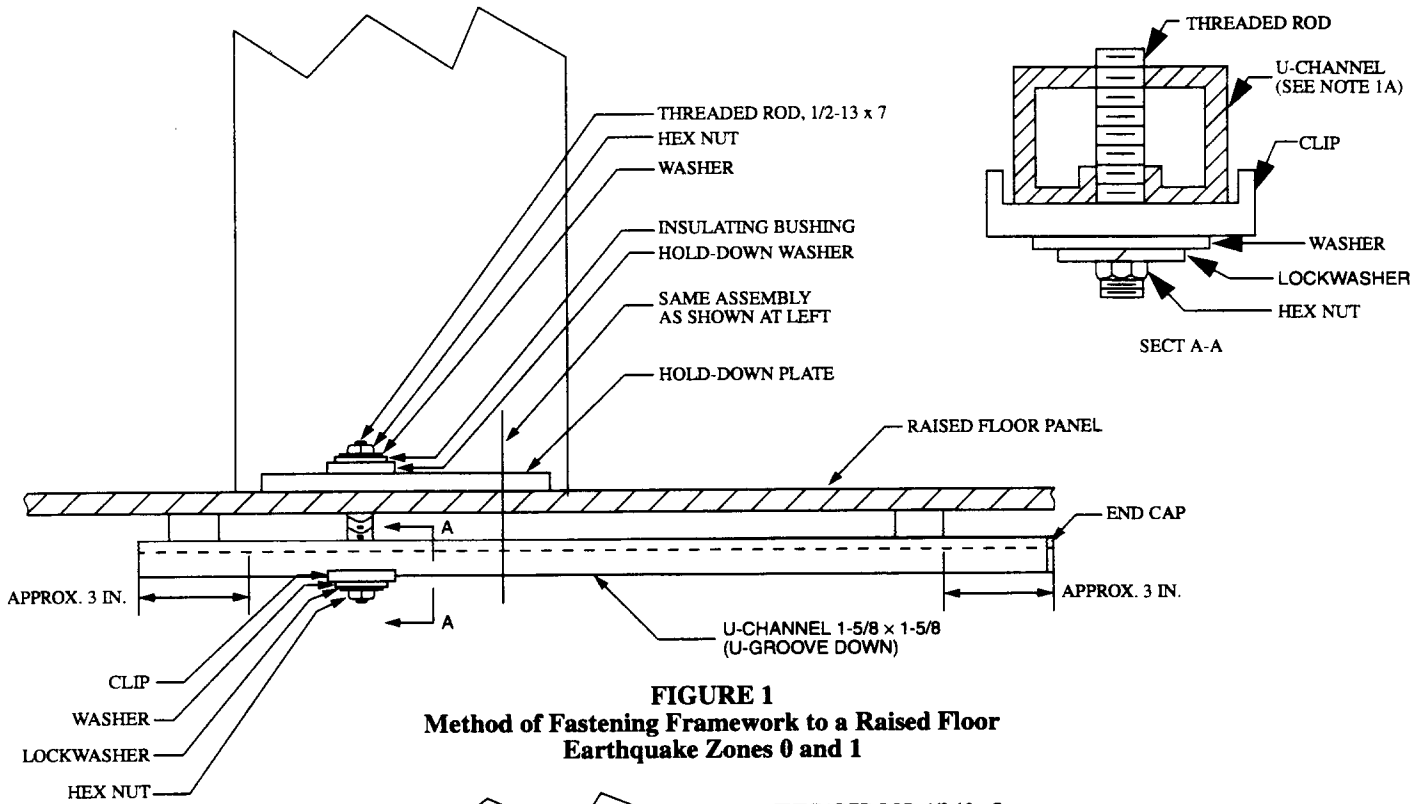
INSTALLATION NOTES:

- Position anchors at outer ends of frame base slots. If rebar struck, fill hole and redrill at other end of slot. (See Sheet 2 and 3 for base layout.)
- Drop-in anchors require 5/8" diameter, 2-1/8" deep clean hole. Heavy-duty anchors require 18 mm diameter, 4" deep clean hole.
- Preset anchors using setting tools.
- R-4600 dollies may be used to position frames.
- After equipment in place, torque drop-in anchor nuts to 25 ft-lbs. and heavy-duty anchor nuts until 60 ft-lbs. torque nut shears off.
- Punch molding as required for guard rail screws.

Order Number	Description
ED8C805-50, G1*	Four drop-in anchors for one 7' frame in seismic zone 0, 1, or 2
ED8C805-50, G2*	Four heavy-duty anchors for one 7' frame in seismic zone 3 or 4
ED8C805-50, G3	Two drop-in anchors for one top supported frame in seismic zone 0, 1, or 2
ED8C805-50, G4	Two heavy-duty anchors for one top supported frame in seismic zone 3 or 4
ED8C805-50, G5*	Shims for one frame (4 or each of 0.031, 0.063, 0.125, 0.25 thick)
ED8C805-50, G6*	Molding (one 10' piece)
ED8C805-50, G7*	Four insulators and insulator bushing for one frame

ANCHOR INSTALLATION TOOLS	
Drop-in Anchor	Drill Hammer & 5/8" Drill Bit 406902049 Setting Tool 3/4" Torque Wrench for 25 ft-lbs.
Heavy-Duty Anchor	Drill Hammer & 18-mm Drill Bit 406899831 or R5885 Setting Tool 19-mm Flare Nut or Box Wrench (capable of 60 ft-lbs.)

* These items are combined and can be ordered in kit form as part of the quick-delivery kit per ED8C812-50 shown on Pages 2 & 3.



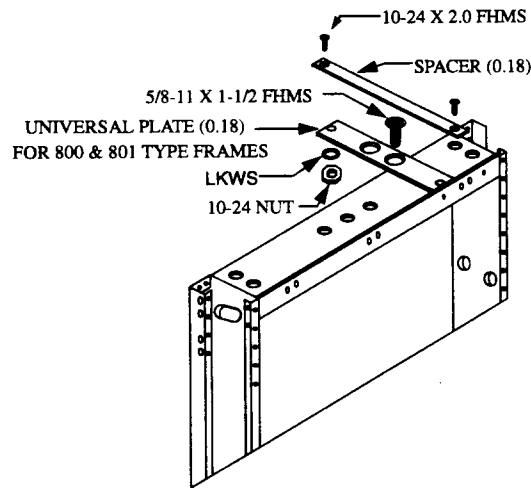


FIGURE 3
ESS™ Cable Rack
Attachment Material

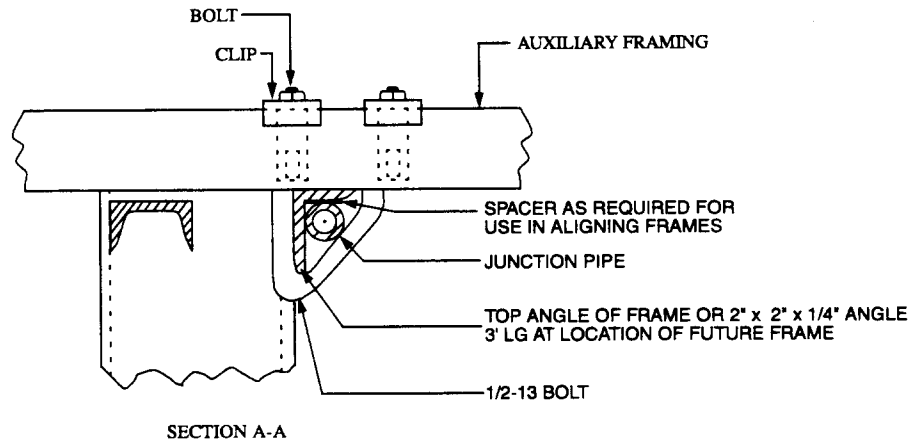


FIGURE 4
Auxiliary Framing Attached Directly to Cable Duct-Type Frames
or to Junction Pipe at Location of Future Frame
11-Foot 6-Inch Auxiliary Framing

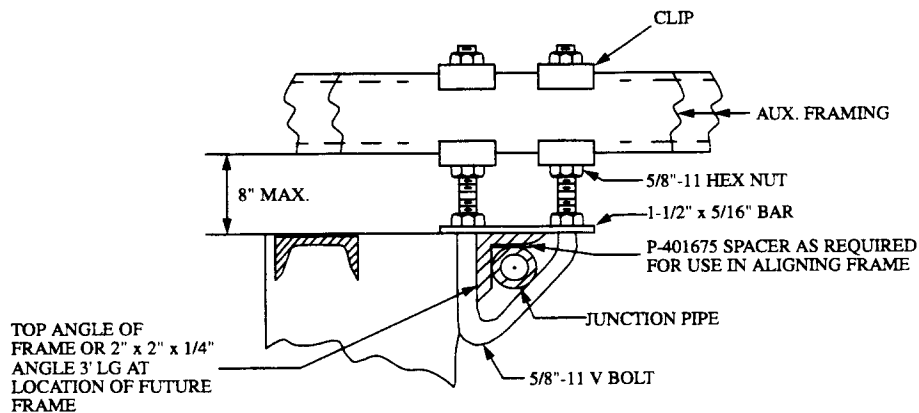
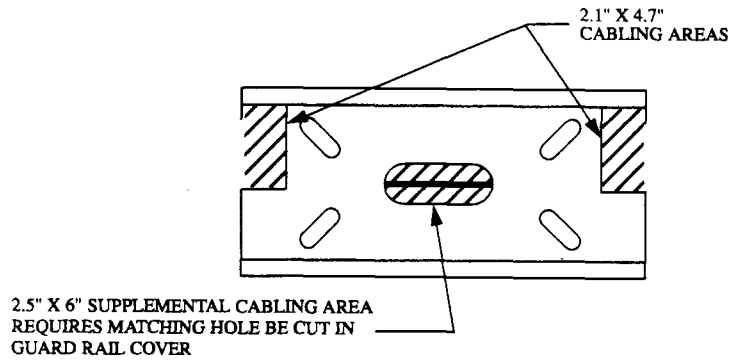
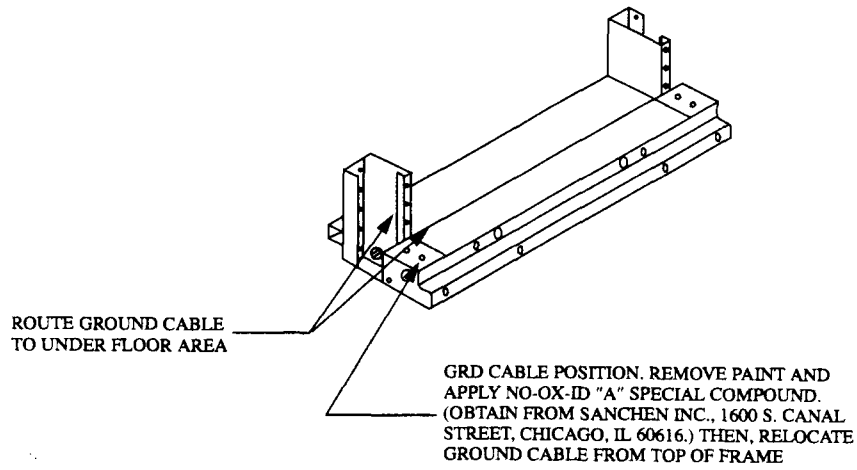


FIGURE 5
Auxiliary Framing Fastened to Cable Duct-Type
Frame or to Junction Pipe at Location of Future
Frame — 11-Foot 9-1/2 Inch Auxiliary Framing
BAY FRAME OVERHEAD ATTACHMENT



BOTTOM VIEW (SEISMIC SHOWN)

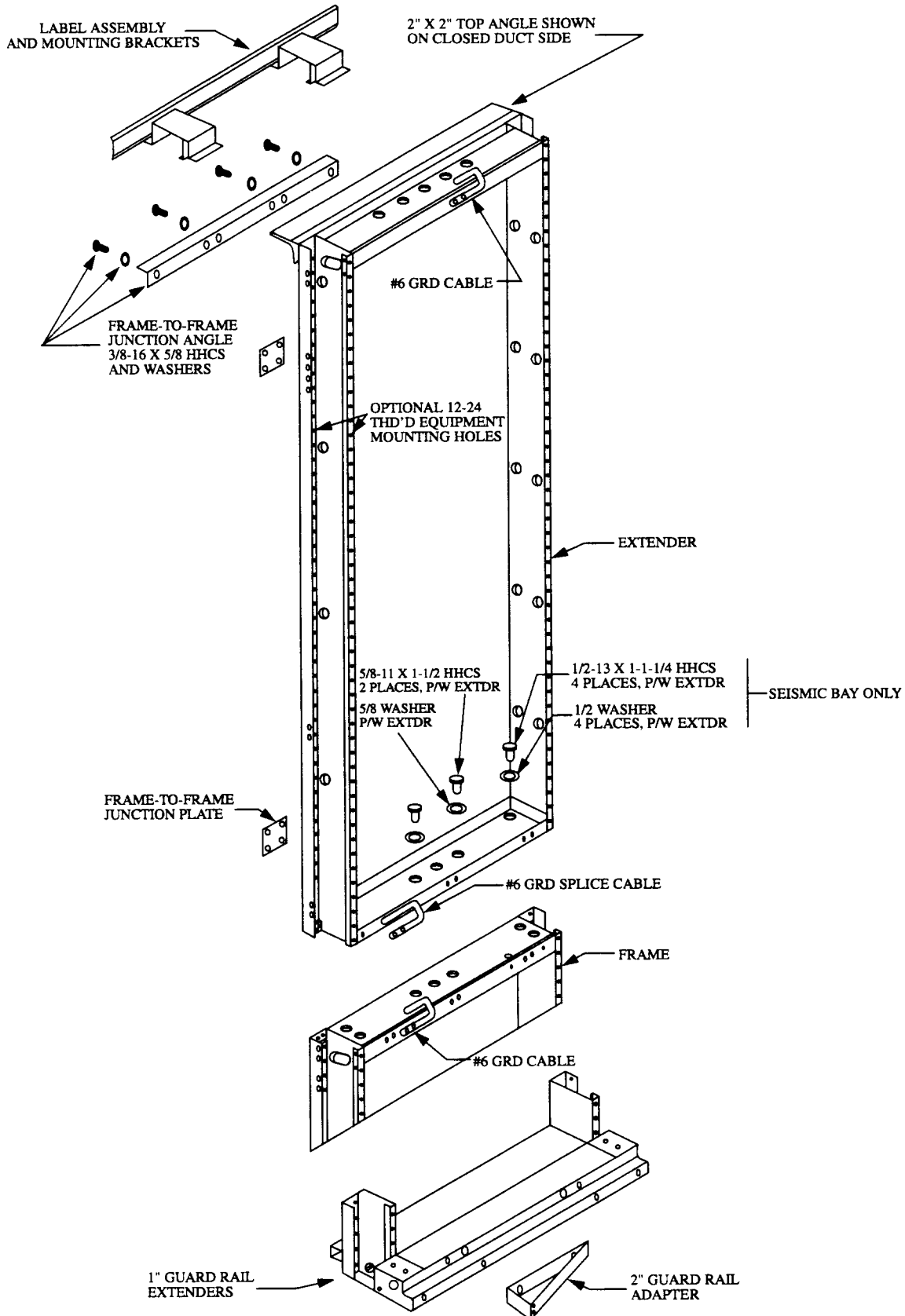


Order Number	Description	Information Shown in
ED8C805-50, G8*	Material for attaching bay frame to Lucent Technologies-type access floor with GRD ISO bushings in Seismic zone 0 or 1	Figure 1
ED8C805-50, G9*	Material for attaching bay frame to Lucent Technologies-type access floor with GRD ISO bushings in Seismic zone 2, 3, or 4	Figure 2

Order Number	Description	Information Shown in
ED8C805-50, G10*	Material for attaching ED97738-50 ESST [™] -type cable rack to top of bay frame	Figure 3

Order Number	Description	Information Shown in
ED4C685-72, G107	V-bolt for attaching bay frame to auxiliary framing located 8" max above top of bay	Figures 4, 5

* These items can be ordered in kit form as part of the quick-delivery kits per ED8C812-50 shown on Pages 2 & 3.



BAY FRAME EXTENDERS



NOTES:

- For use with 7' frames without top angle.
- Ground cables (preattached), label assembly, and frame-to-frame junction hardware provided with extender.
- Designed and tested for earthquake zones 0 through 4.
- Available as "frame extenders" which include 12-24 threaded equipment mounting holes.

ORDERING INFORMATION			
BAY EXTENDERS			
Top Angle Closed Duct	Top Angle Open Duct	Group	Height
ED8C804-50	ED8C804-51	G1	1'-0"
ED8C804-50	ED8C804-51	G2	1'-8"
ED8C804-50*	ED8C804-51	G3	2'-0"
ED8C804-50	ED8C804-51	G4	3'-6"
ED8C804-50*	ED8C804-51	G5	4'-6"
ED8C804-50	ED8C804-51	G6	4'-8"

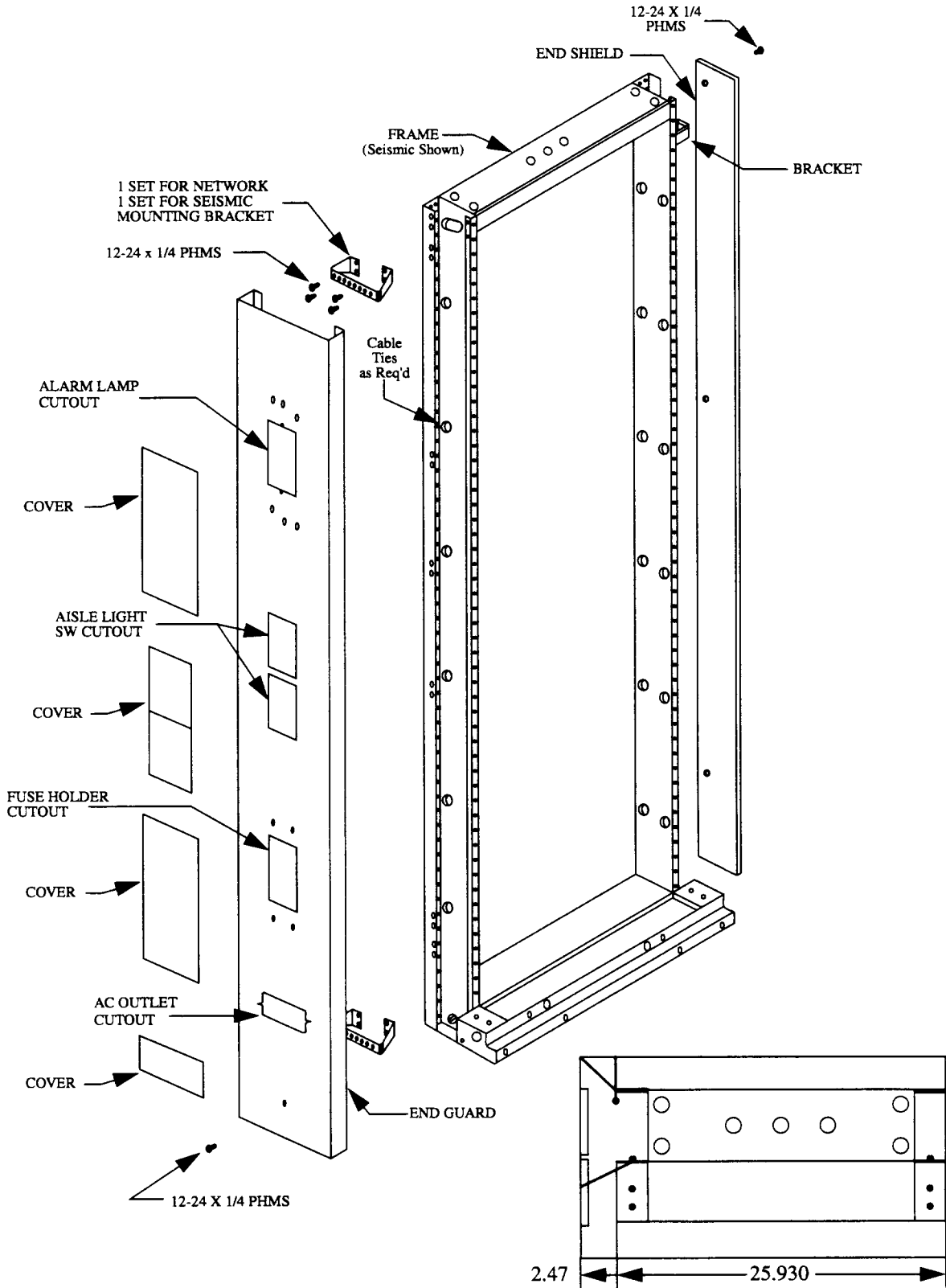
* These items can be ordered in kit form as part of the quick-delivery kits per ED8C812-50 shown on Pages 2 & 3.

INSTALLATION NOTES:

- Torque 1/2" and 5/8" bolts to 60 ft-lbs.
- Remove pre-assembled ground cable from top of 7' frame and attach loose end of extender ground splice cable in the same position. Reuse screws and lock washers.
- Crimp ground cable at top of extender to frame aisle ground using "C" tap P/W extender and Thomas & Betts TBM2 or TBM3 crimping tool and die code brown.

GUARD RAIL EXTENDERS		
Order Number	Extension	Nominal Length
ED8C806-50, G1	1"	26"
ED8C806-50, G2	2"	26"
ED8C806-50, G3	1"	13"
ED8C806-50, G4	2"	13"
ED8C806-50, G5	1"	5"
ED8C806-50, G6	2"	5"
ED8C806-50, G7	1"	2.5"
ED8C806-50, G8	2"	2.5"

GUARD RAIL ADAPTERS	
Order Number	Extension
ED8C506-50, G1	1"
ED8C506-50, G2	2"
ED8C506-50, G3	3"
ED8C506-50, G4	4"



TOP VIEW

BAY FRAME END GUARD AND END SHIELD



NOTES:

- Mounts to 800, 801, 500, and 501 type frames.
- Mounts to either side of frame.
- End guards with or without apparatus cutouts.
- For frames taller than 7' or 7' frames with frame extenders, order 7' end guard or end shield plus extender.
- 12", 13", 14", and 18" deep end guards. Other depths on request.
- Soft blue finish; other colors on request.
- Includes mounting hardware for seismic frames (See table below for network end guard brackets).
- 12" deep end guard for 500, 501, 800, and 801 type frames.

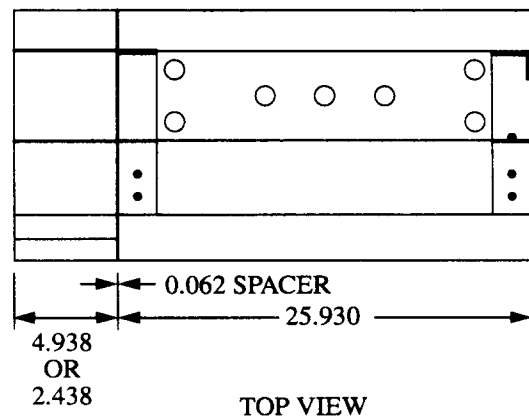
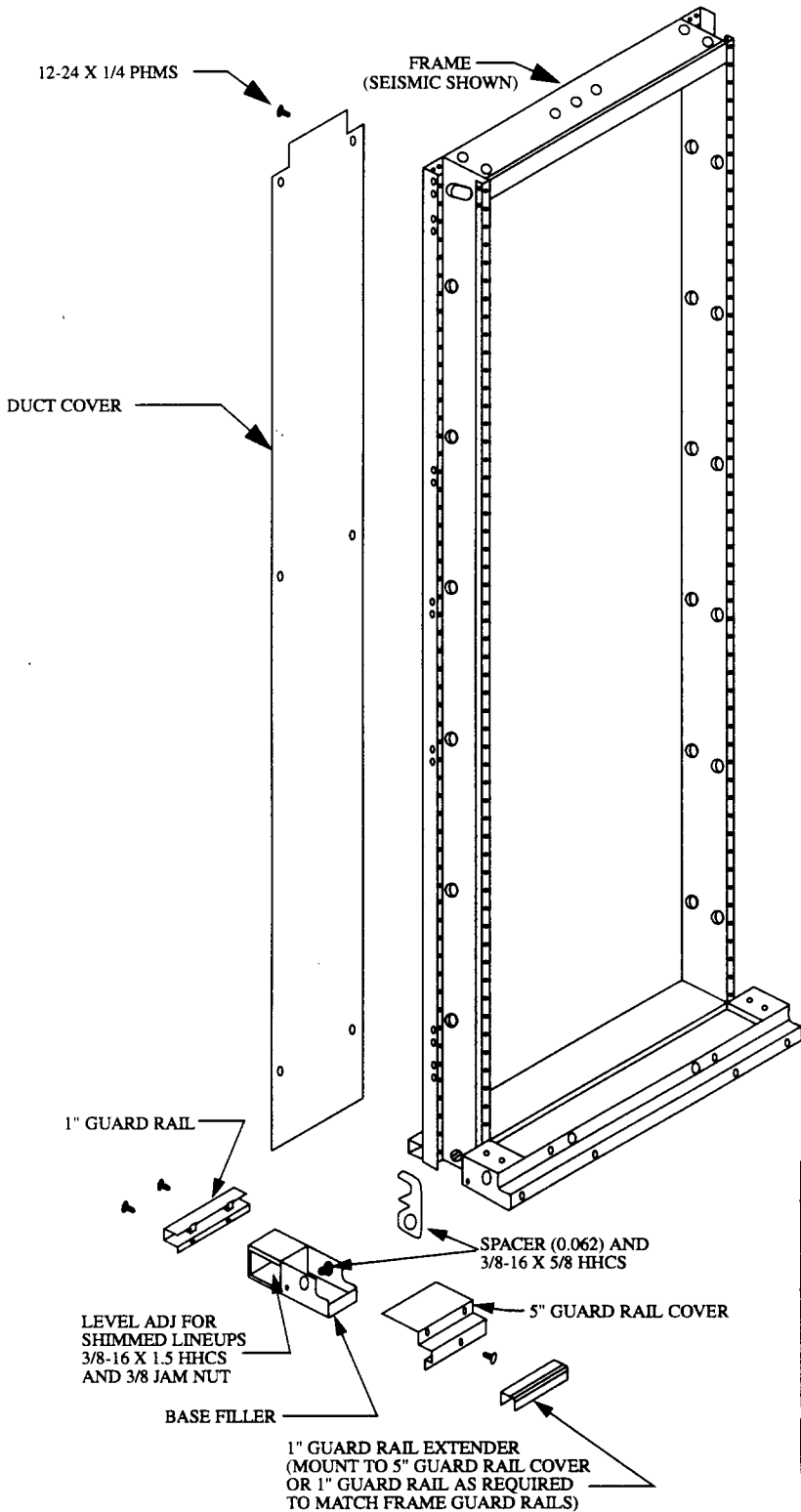
7' END GUARDS FOR 800/801 and 500/501 FRAMES*				
ORDER NUMBER	APPARATUS CUTOUTS			
	AC OUTLET	LIGHT SW	FUSE HOLDER	ALM LAMP
ED8C802-50, G1	N	N	N	N
ED8C802-50, G2	Y	Y	N	N
ED8C802-50, G3*	Y	Y	Y	Y
END GUARD EXTDRS FOR 800/801 AND 500/501FRAMES*				
ED8C802-50, G10	1'-0"			
ED8C802-50, G11	1'-8"			
ED8C802-50, G12*	2'-0"			
ED8C802-50, G13	3'-6"			
ED8C802-50, G14*	4'-6"			
ED8C802-50, G15	4'-8"			

* - ED8C802-50, G() end guards and EXTDRS are 12" deep.
 For 14" depth, order ED8C802-51, G().
 For 13" depth, order ED8C802-52, G().
 For 18" depth, order ED8C802-53, G().

* - These items can be ordered in kit form as part of the quick-ordering kits per ED8C812-50 shown on Pages 2 & 3.

END SHIELD FOR 800/801 AND 500/501 FRAMES	
ED8C802-50, G20*	7'-0"
END SHIELD EXTDRS FOR 800/801 AND 500/501FRAMES	
ED8C802-50, G21	1'-0"
ED8C802-50, G22	1'-8"
ED8C802-50, G23*	2'-0"
ED8C802-50, G24	3'-6"
ED8C802-50, G25*	4'-6"
ED8C802-50, G26	4'-8"

END GUARD APPARATUS	
ED8C502-50, G9	ALARM LAMP ASM
ED8C503-50, G1	AISLE LIGHT SW ASM
ED8C503-50, G2*	AC OUTLET ASM
ED8C503-50, G3*	24V AISLE LIGHT SW ASM
100208388	11B FUSE HOLDER



TOP VIEW

BAY FRAME DUCT EXPANDER

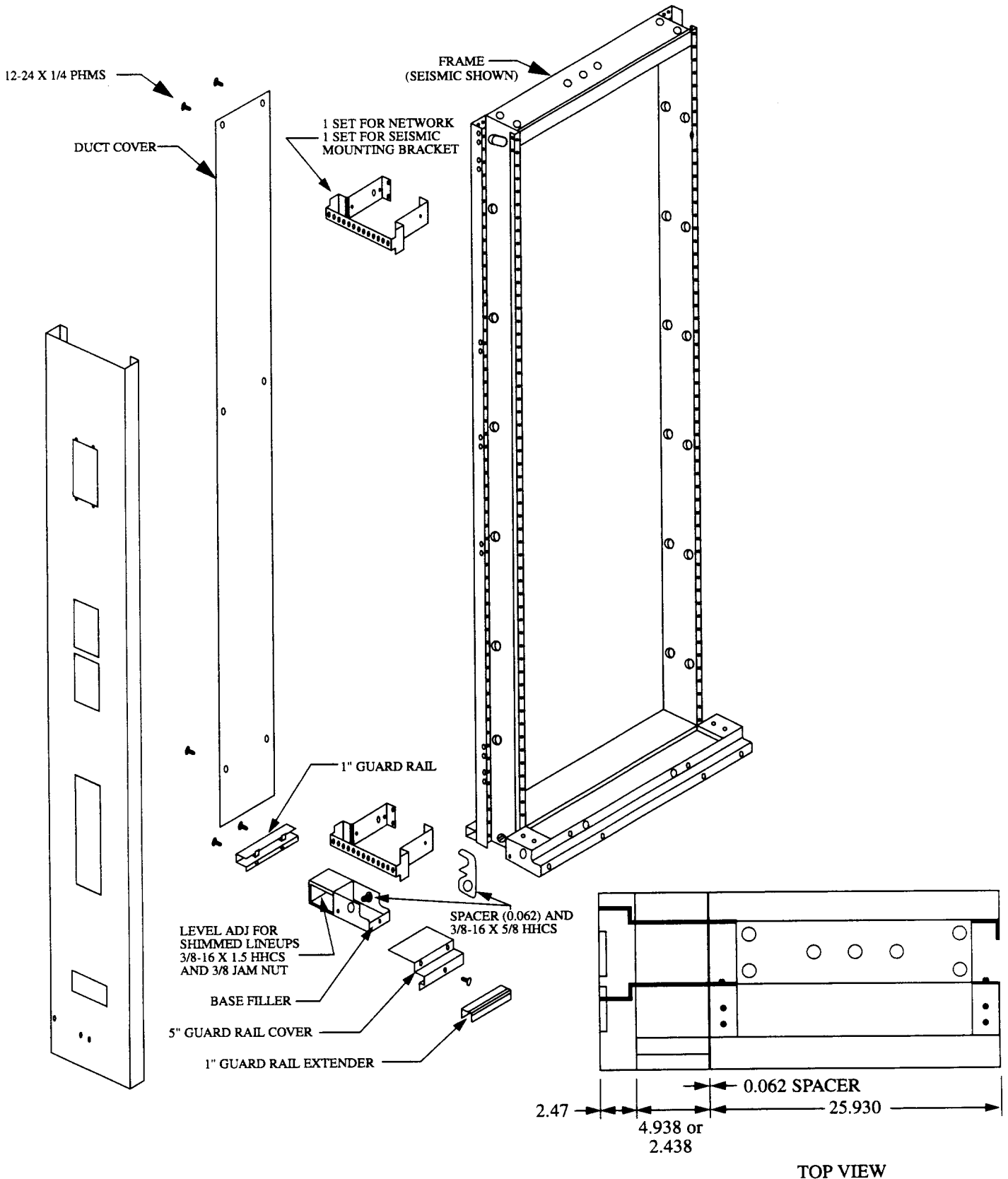


NOTES:

- Mounts to 800, 801, 500, and 501 type frames.
- Accommodates guard rail combinations of 1"/6", 2"/5", and 0"/5". For greater extensions, order additional guard rail EXTDRS.
- For frames taller than 7' or 7' frames with frame extenders, order 7' cable duct expander plus extender.
- Soft blue finish; other colors on request.
- Includes mounting hardware.

5" DUCT EXPANDER	
ORDER NUMBER	HEIGHT
ED8C806-50, G9	7'-0"
5" DUCT EXPANDER EXTDR	
ED8C806-50, G10	1'-0"
ED8C806-50, G11	1'-8"
ED8C806-50, G12	2'-0"
ED8C806-50, G13	3'-6"
ED8C806-50, G14	4'-6"
ED8C806-50, G15	4'-8"

2.5" DUCT EXPANDER	
ORDER NUMBER	HEIGHT
ED8C806-50, G16	7'-0"
2.5" DUCT EXPANDER EXTDR	
ED8C806-50, G17	1'-0"
ED8C806-50, G18	1'-8"
ED8C806-50, G19	2'-0"
ED8C806-50, G20	3'-6"
ED8C806-50, G21	4'-6"
ED8C806-50, G22	4'-8"



BAY FRAME END GUARD WITH DUCT EXPANDER

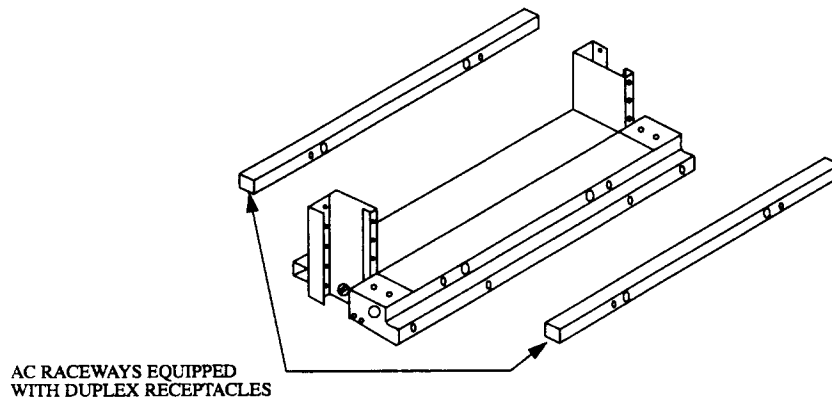


NOTES:

- Mounts to 800, 801, 500, and 501 type frames.
- Mounts to either side of the frame.
- Accommodates guard rail combinations of 1"/6", 2"/5", and 0"/5". For greater extensions, order additional guard rail EXTDRS.
- For frames taller than 7' or 7' frames with frame extenders, order 7' end guard plus extender.
- Soft blue finish; other colors on request.
- Includes mounting hardware.

5" DUCT EXPANDER FOR 7' END GUARDS				
ORDER NUMBER	APPARATUS CUTOUTS			
	AC OUTLET	LIGHT SW	FUSE HOLDER	ALM LAMP
ED8C802-50, G27	N	N	N	N
ED8C802-50, G28	Y	Y	N	N
ED8C802-50, G29	Y	Y	Y	Y
END GUARD EXTDRS WITH 5" DUCT EXPANDER				
ED8C802-50, G30	1'-0"			
ED8C802-50, G31	1'-8"			
ED8C802-50, G32	2'-0"			
ED8C802-50, G33	3'-6"			
ED8C802-50, G34	4'-6"			
ED8C802-50, G35	4'-8"			

2.5" DUCT EXPANDER FOR 7' END GUARDS				
ORDER NUMBER	APPARATUS CUTOUTS			
	AC OUTLET	LIGHT SW	FUSE HOLDER	ALM LAMP
ED8C802-50, G36	N	N	N	N
ED8C802-50, G37	Y	Y	N	N
ED8C802-50, G38	Y	Y	Y	Y
END GUARD EXTDRS WITH 2.5" DUCT EXPANDER				
ED8C802-50, G39	1'-0"			
ED8C802-50, G40	1'-8"			
ED8C802-50, G41	2'-0"			
ED8C802-50, G42	3'-6"			
ED8C802-50, G43	4'-6"			
ED8C802-50, G44	4'-8"			



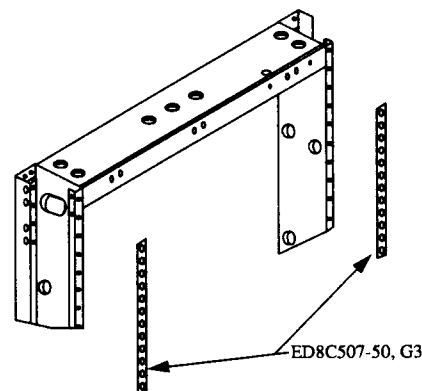
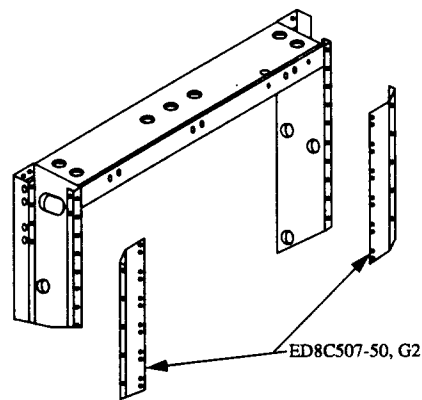
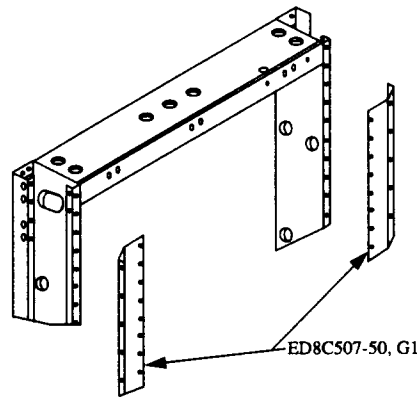
AC RACEWAY



— Detailed installation figures available on ED8C509-50 drawings.

ORDER NUMBER	DESCRIPTION
ED8C509-50, G3	Blank raceway filler for 2.5" space between frames.
ED8C509-50, G4	Blank raceway filler for 5.0" space between frames.
ED8C509-50, G6*	Material for connecting one ac supply from main aisle conduit or adjacent frame to one raceway assembly.
ED8C509-50, G8	Material for bridging frame gaps in lineup.
ED8C509-50, G9*	Material to supply ac from raceway on front of frame to raceway on rear of frame, or to bridge from raceway on 500/501-type frame to raceway on 800/801-type frame.
ED8C509-50, G11	Material for bridging frame gaps in lineup using 12" liquid-tight conduit.
ED8C509-50, G12*	One 25.854" large universal raceway provided with optional snap-in integrated ground duplex receptacle. (This group offers the functionality of G2 and G10 for those applications where outlet positions are not predetermined.)

* - These items can be ordered in kit form as part of the quick-ordering kits per ED8C812-50 shown on Pages 2 & 3.



MOUNTING PLATE ADAPTER HARDWARE



NOTES:

— Mounting hardware provided with adapters.

ORDER NUMBER	FRAME HEIGHT	PANEL MTG CENTERS SIDE TO SIDE	VERTICAL MOUNTING HOLE PATTERN
ED8C507-50, G1	7' - 0"	19.312	1"
ED8C507-50, G2	7' - 0"	19.312	1-1/4", 1/2"
ED8C507-50, G3*	7' - 0"	23.312	1-1/4", 1/2"
ED8C507-50, G4	9' - 0"	19.312	1"
ED8C507-50, G5	9' - 0"	19.312	1-1/4", 1/2"
ED8C507-50, G6	9' - 0"	23.312	1-1/4", 1/2"
ED8C507-50, G7	11' - 6"	19.312	1"
ED8C507-50, G8	11' - 6"	19.312	1-1/4", 1/2"
ED8C507-50, G9	11' - 6"	23.312	1-1/4", 1/2"

NYLON CABLE TIES OR CABLE TIE BARS REQUIRED PER FRAME AND EXTENDER HEIGHTS	
FRAME HEIGHT	QUANTITY REQUIRED
7' - 0"	12
8' - 0"	14
9' - 0"	16
11' - 6"	22
11' - 8"	22
EXTENDER HEIGHT	
1' - 8"	0
1' - 8"	2
2' - 8"	2
3' - 8"	6
4' - 8"	8
4' - 8"	8

ORDER NUMBER	DESCRIPTION
ED8C504-50, G7	(1) Nylon Cable Tie
ED8C500-50, G4	(22) Nylon Cable Ties
ED8C504-50, G6	(1) Cable Tie Bar

ORDER NUMBER	DESCRIPTION
ED8C808-50, G1*	ESD Wrist Strap

ORDER NUMBER	DESCRIPTION
ED8C808-50, G2*	(5) Panel Ground Terminals

* - These items can be ordered as part of the quick-ordering kits per ED8C812-50 shown on Pages 2 & 3.