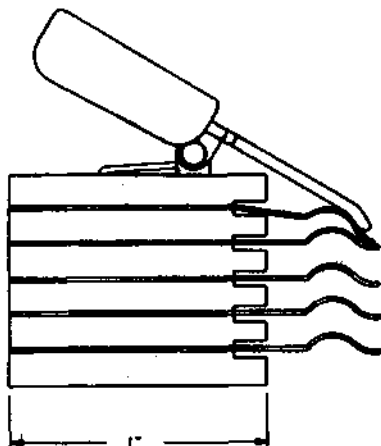


**CODED TOOLS**  
**NO. 672A TO 680A**  
**DESCRIPTION**

TOOL, 672A



**Spring blocking tool**

Replaces the D-170030 spring blocking tool.

For use in replacing cards on 304- and similar-type switches

TOOL, 674A

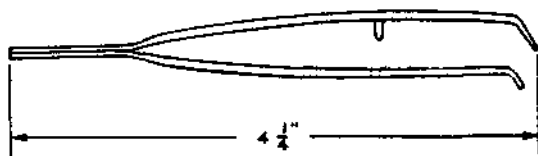


**Spring lifter**

This tool forms part of the No. 1012A tool kit.

For use in replacing cards of 286-, 287-, and 288-type relays.

TOOL, 673A

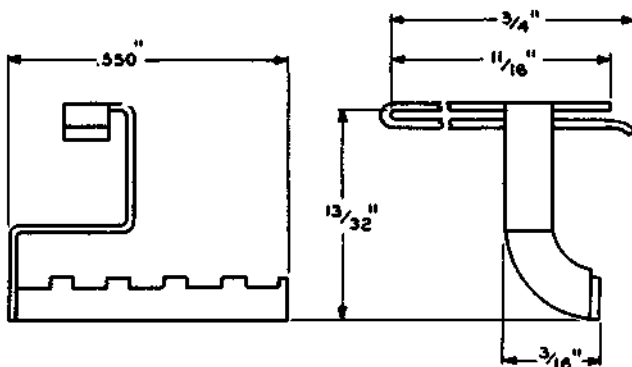


**Tweezers**

Replaces the D-170283 tweezers.

For use in replacing cards on 304- and similar-type switches.

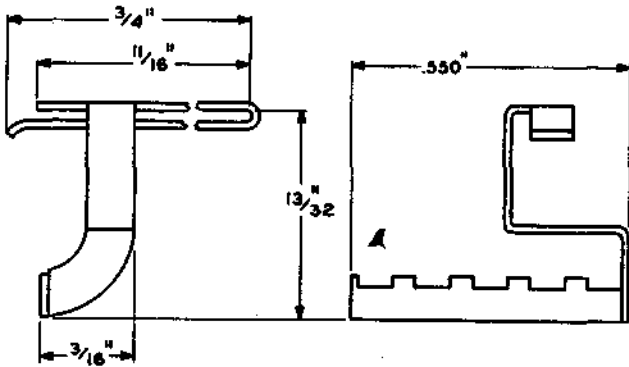
TOOL, 675A



**Spring holder.**

For holding the movable break contact springs when replacing cards or stationary contacts on the upper half of AK-type relays.

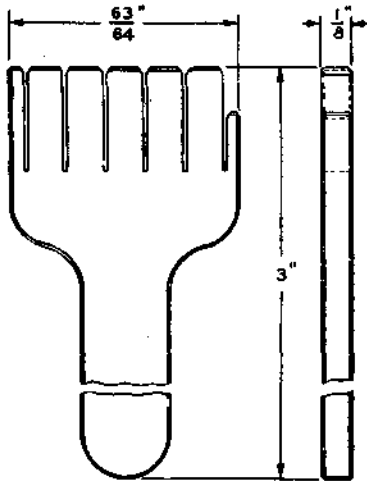
TOOL, 675B



Spring holder.

For holding the movable break contact springs when replacing cards or stationary contacts on the lower half of AK-type relays.

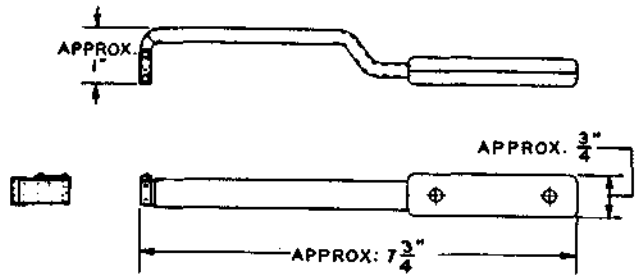
TOOL, 676A



Feeder brush spacer.

For use in aligning bank feeder brushes, of both the two-piece type and the balanced single-piece type, when remounting 206- and similar-type selectors on the banks.

TOOL, 677A



Commutator brush guide mounting tool

For use in installing rear guides on panel commutator brushes.

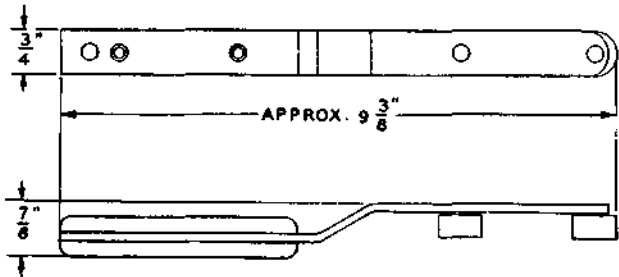
→TOOL, 678A Manufacture discontinued.

Replaced by the KS-16887-L1 Wedge

→TOOL, 679A Manufacture discontinued.

Replaced by the KS-16887-L1 Wedge

TOOL, 680A



Extracting tool

For use in removing E2 and E2 telephone repeaters from mounting shelf.