

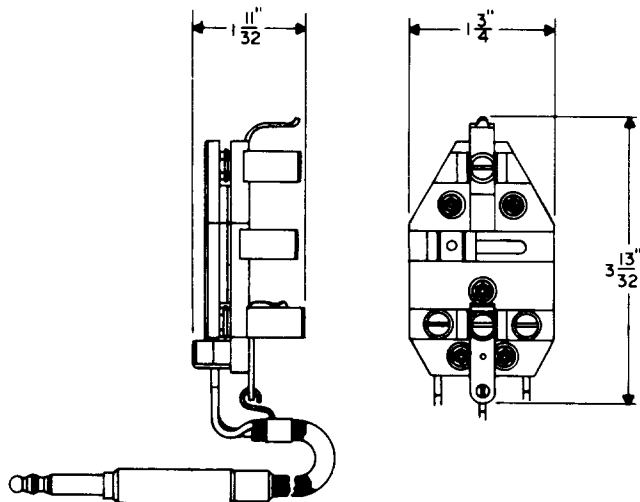
TOOLS

CORD SHELF – DESCRIPTION

1. GENERAL

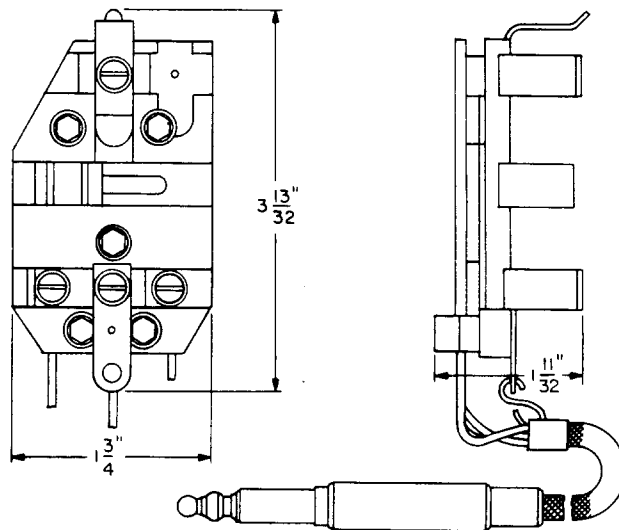
- 1.01 This section covers coded Bell System cord shelf tools.
- 1.02 When this section is reissued, the reason for reissue will be listed in this paragraph.
- 1.03 The information contained in this section supersedes the corresponding information in Sections 074-121-101 and 074-126-101.

443A



Cord shelf connecting tool. Furnished with a W3N cord and a 110 plug. Replaces the D-87336 tool. For use in making connections to cord circuits in local and toll switchboards.

503A



Cordshelf connecting tool. Furnished with a W3N cord and a 310 plug. For use in making connections to cord circuits of number 1 toll switchboards.

NOTICE

Not for use or disclosure outside the
Bell System except under written agreement