

TOOLS

FLASHLIGHTS – DESCRIPTION

1. GENERAL

- 1.01 This section covers noncoded Bell System flashlights.
- 1.02 When this section is reissued, the reason for reissue will be listed in this paragraph.
- 1.03 The information contained in this section supersedes the corresponding information in Section 074-630-101.

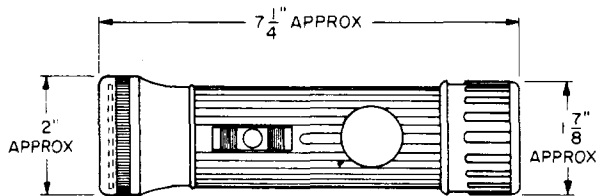
FLASHLIGHT (SPECIFICATION AT-7311-X)

Replaced by Flashlight (Type C).

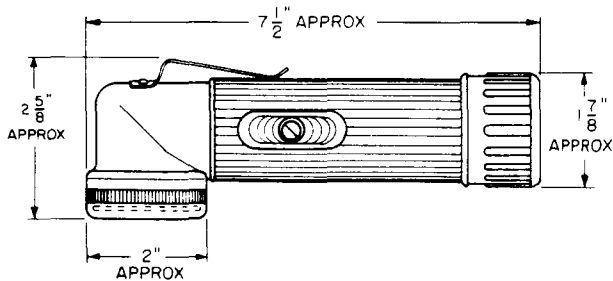
*Note:* KS-14250 L12 bottom cap may be obtained for use on both the prefocused and diffused models of the replaced flashlights. The KS-14250 L13 lens may be obtained for use with the prefocused flashlight but is not recommended for the diffused model.

B TYPE  
C TYPE

In ordering, specify type B or C as desired.



B FLASHLIGHT



C FLASHLIGHT

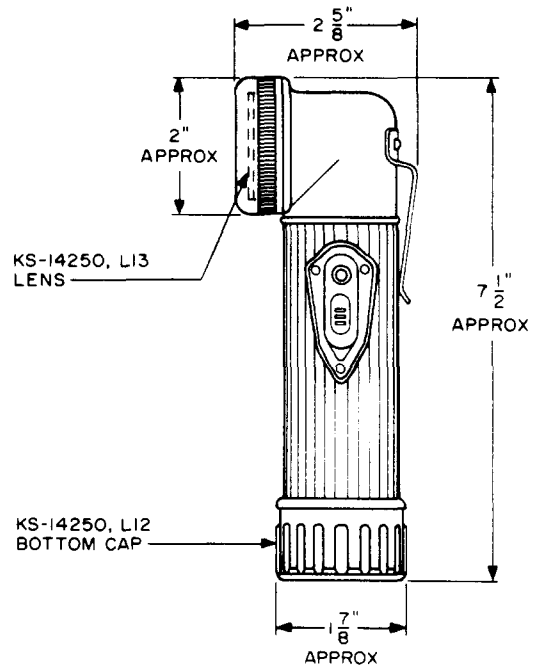
Operates on two KS-6522 dry cells. Dry cells not furnished with flashlight.

Prefocused flashlights. These flashlights have a black case, clear lens, slide-type off-on switch, reflector, PR6 lamp, and spare lamp holder with a PR6 type lamp in the end cap.

TYPE	LENGTH (INCHES)	DIAMETER (INCHES)
B — straight	7-1/4	2
C — angle, equipped with a belt clip	7-1/2	2-5/8

C-type replaces flashlight (Specification AT-7311-X). For general use. (Specification AT-7724)

KS-14250 L1



Operates on two KS-6522 dry cells. Dry cells not furnished with flashlight.

NOTICE

Not for use or disclosure outside the Bell System except under written agreement

**SECTION 074-217-121**

**KS-14250 L1 (CONT)**

Is provided with a plastic or shatterproof lens, a special bottom cap, and a PR6 bulb. The terminals in the cap are intended for insertion in 360-type tools which cause the switching arrangement to open the circuit so that with the flashlight switch operated lighting the bulb depends upon a closure between the leads attached to the 360-type tools.

The following parts may be obtained separately:

KS-14250 L11 flashlight body

KS-14250 L12 bottom cap

KS-14250 L13 lens

PR6 bulb

The KS-14250 L12 bottom cap replaces KS-7742 bottom cap used with flashlights previously specified. For general use.