

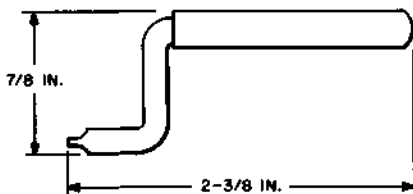
TOOLS

KEYS-DESCRIPTION

1. GENERAL

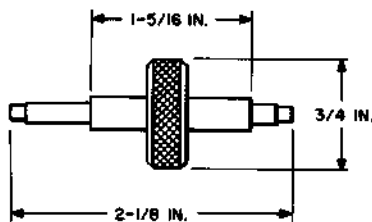
- 1.01 This section covers noncoded Bell System keys.
- 1.02 When this section is reissued, the reason for reissue will be listed in this paragraph.
- 1.03 The information contained in this section supersedes the corresponding information in Section 074-665-101.
- 1.04 For similar tools, see Winding, Section 074-269-108.

KS-7769 L3 (for ribbon winding)



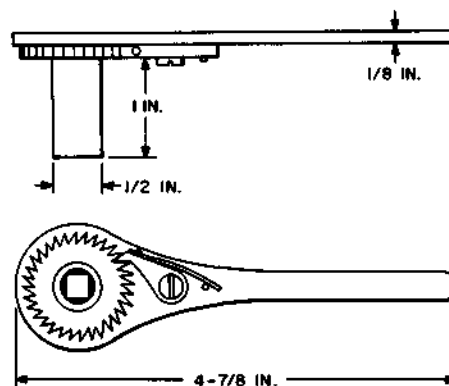
For use on Calculagraphs.

KS-7769 L4 (for hand setting)



For use on Calculagraphs.

KEY, RATCHET-TYPE, J. H. BUNNELL CO. PART NO. 103395



For use in winding pen registers.

NOTICE

Not for use or disclosure outside the
Bell System except under written agreement