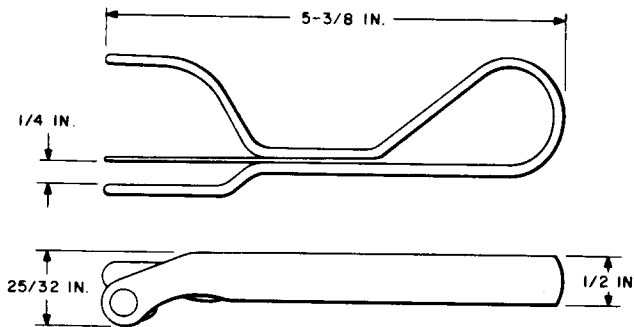


TOOLS
STRIPPER, CABLE – DESCRIPTION

1. GENERAL

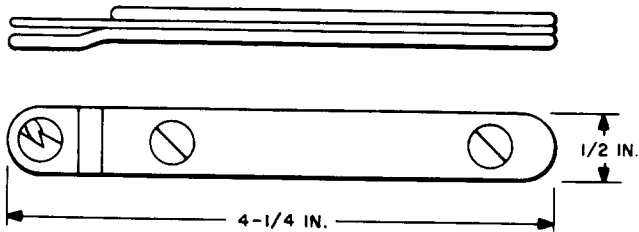
- 1.01 This section covers noncoded Bell System cable strippers.
- 1.02 When this section is reissued, the reason for reissue will be listed in this paragraph.
- 1.03 The information contained in this section supersedes the corresponding information in Section 074-785-101.

R-62267



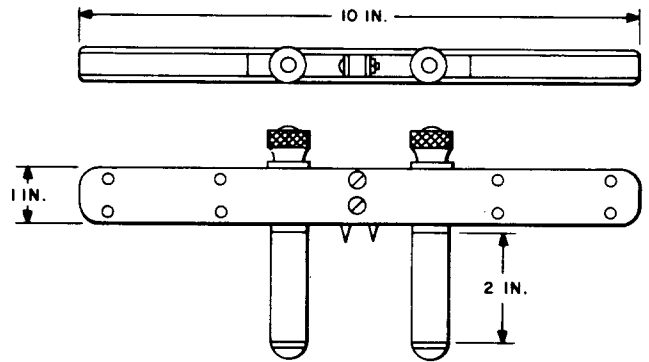
For use in stripping sheath from plastic jacketed switchboard and inside wiring cable.

WIRING, INSIDE



For use in removing outer braid from inside wiring and plastic jacketed switchboard cable. (Specification AT-6691)

COVERED, LEAD, R-2115



For use in stripping lead-covered cable (PBX installation only).

NOTICE

Not for use or disclosure outside the Bell System except under written agreement