

INDICATOR

KS-16751-L1

DESCRIPTION

1. GENERAL

1.01 This section describes the KS-16751-L1 indicator and a method of extending the length of the battery cord.

2. DESCRIPTION

2.01 The KS-16751-L1 closed contact indicator is a molded case enclosing five 2y lamps equipped with individual connectors and a common battery lead (Fig. 1).

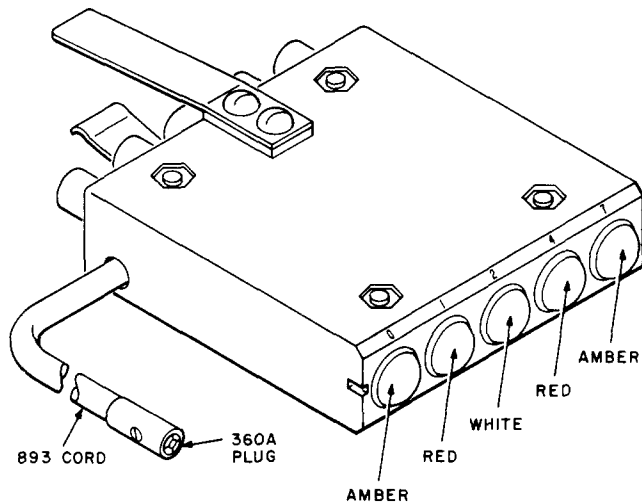


Fig. 1 — KS-16751-L1 Indicator

2.02 It is used to indicate closed contacts of 293-type relays.

2.03 The KS-16751-L1 indicator is attached to the front of a 293-type relay package such that each of its connectors contact one each of the five center contacts of the 293-type relay. The 893 cord is connected to battery. A closed relay contact lights the corresponding lamp in the indicator.

3. METHOD OF EXTENDING BATTERY CORD

3.01 The 6-foot 893 cord may be extended as shown in Fig. 2 in the event that the cord is too short for convenient use of the indicator.

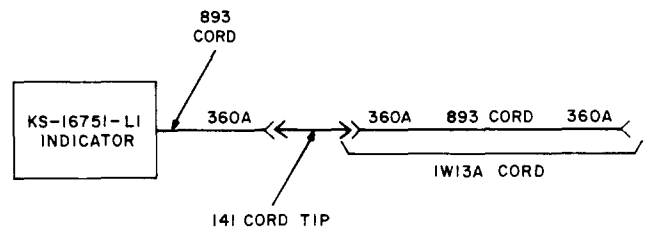


Fig. 2 — Method of Extending Length of Battery Cord