

B SIDING CLIP

AT-8939

1. GENERAL

- 1.01 This section describes the B siding clip.
- 1.02 Whenever this section is reissued, the reason(s) for reissue will be listed in this paragraph.

2. DESCRIPTION

- 2.01 The clear molded plastic siding clip (Fig. 1) is designed for fastening drop wire and station wire on aluminum house siding.

Danger: It is possible for foreign voltage to be present on buildings or mobile homes covered with metal siding. Test siding with B voltage tester or 188A test set. Refer to Section 081-705-101 for use of the B voltage tester or Section 081-705-102 for the 188A test set.

- 2.02 The B siding clip can be fastened to the aluminum siding by sliding the wedged portion of the clip between the overlapping aluminum siding (Fig. 2). The clip can be used for either horizontal or vertical runs of drop wire or station wire or a combination of both (Fig. 3 through 6).

- 2.03 The B siding clip measures 1-9/32 inches long by 13/16 inches wide.

- 2.04 Additional information on the B siding clip can be found in Section 461-200-210.

Ordering Guide

- 2.05 Ordering Guide:

- Package, Clip, Siding, B (quantity).

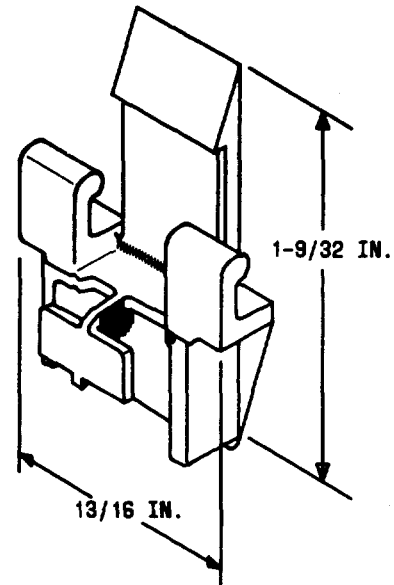


Fig. 1—B Siding Clip

NOTICE

Not for use or disclosure outside the
Bell System except under written agreement

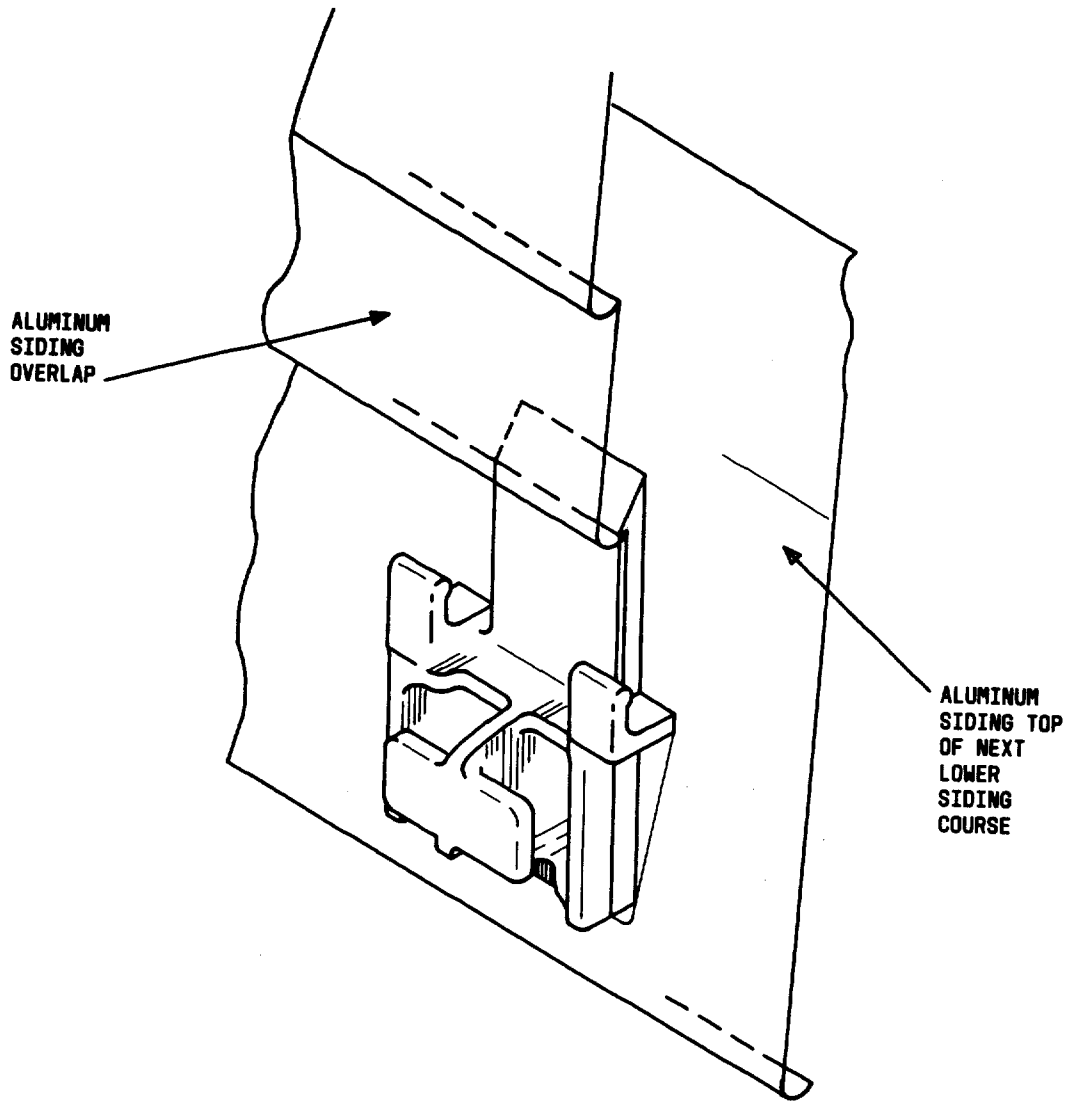


Fig. 2—Cutaway View of B Siding Clip Inserted Under Aluminum Siding Joint

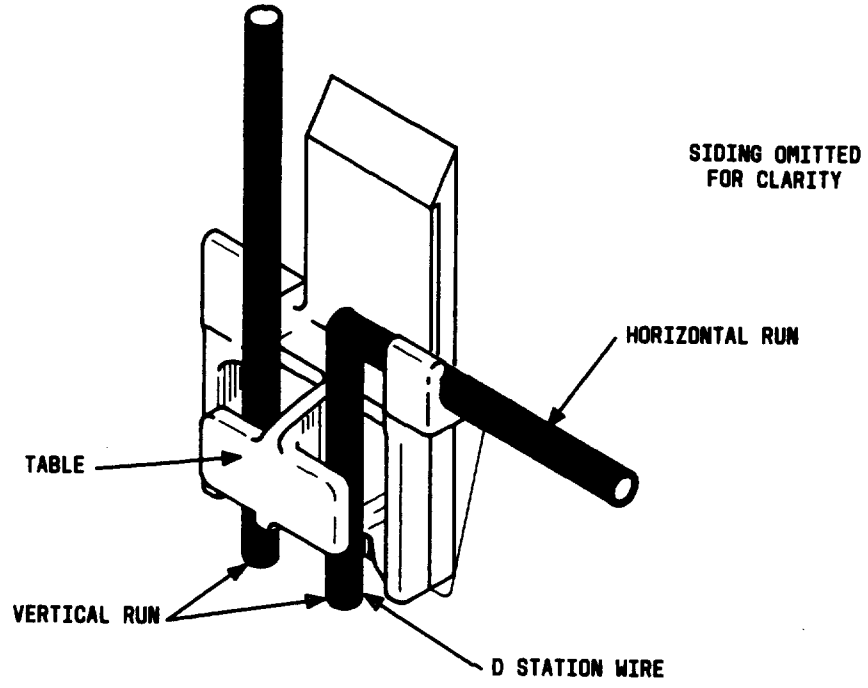


Fig. 3—B Siding Clip With D Station Wire

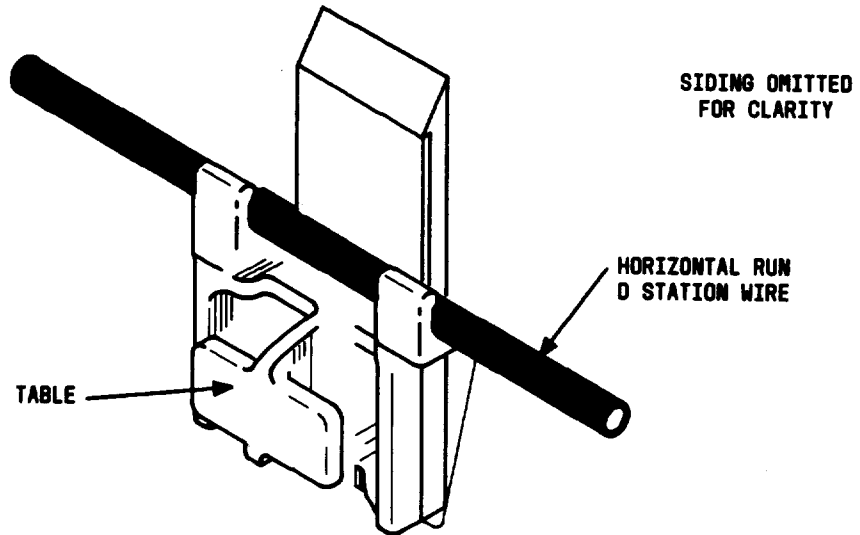


Fig. 4—B Siding Clip With D Station Wire

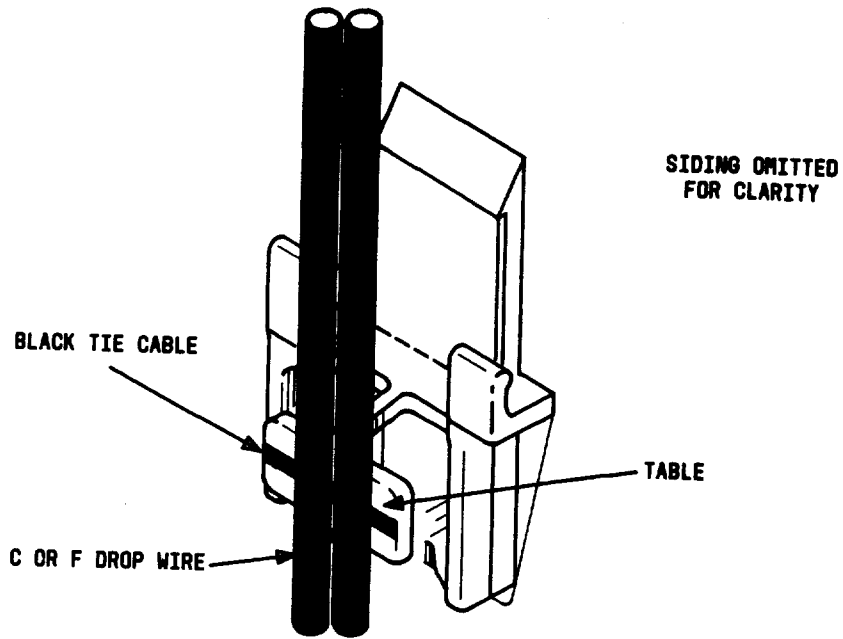


Fig. 5—B Siding Clip With Cord Drop Wire

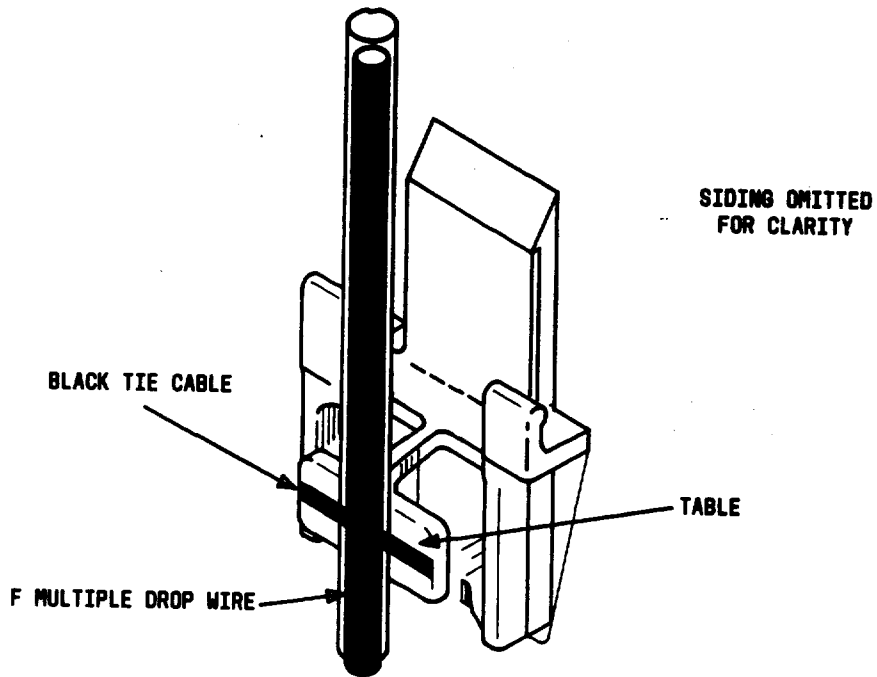


Fig. 6—B Siding Clip With F Multiple Drop Wire