

## B STATION WIRE CLAMP AND B WALLBOARD CLAMP DESCRIPTION AND INSTALLATION

### 1. GENERAL

1.01 This section describes the B station wire clamp and the B wallboard clamp. These clamps may be used where staples and inside wiring nails do not provide proper support.

1.02 This section is reissued to provide information on the B wallboard clamp.

Since this reissue is a general revision, no revision arrows have been used to denote significant changes.

### 2. DESCRIPTION

2.01 The B station wire clamp (Fig. 1) is used to support jacketed station wire.

2.02 The clamp is furnished with an ivory or light olive gray finish for inside use and a galvanized finish for outside use.

2.03 The B wallboard clamp (Fig. 2) is a molded plastic, two part clamp designed to hold station wire (D and H), inside wiring cable, and customer convenience cords to the dry wall or plasterboard surface.

2.04 One part consists of a tie cable with a head pointed on one end to be driven into the wallboard and flat on the other end to provide a surface for a driving tool.

2.05 The second part is a slotted releasable clamp. The wire is inserted into the slot and then the

clamp is pushed snug against the wall and the excess cable tie is cut off. An additional slot in the clamp permits the attaching of larger cables by passing a cable tie through the slot and around the object to be held.

### 3. ORDERING GUIDE

3.01 Order as follows:

- (a) Clamp, Wire, Station B (finish)
- (b) (Quantity) Pack, Clamp, Wallboard, B (pack of 100).

### 4. INSTALLATION

4.01 Table A indicates the fasteners that should be used to attach the B station wire clamp to the various surfaces.

4.02 Refer to Fig. 3 for the installation instructions for the B wallboard clamp.

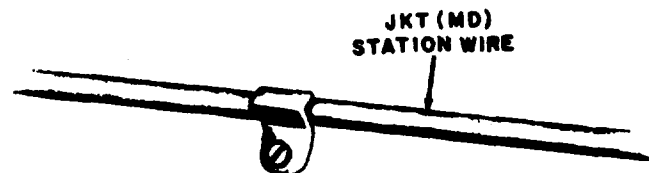
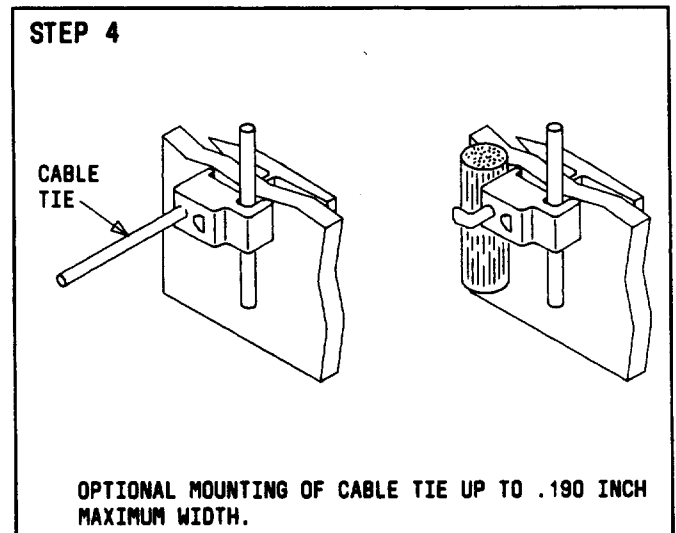
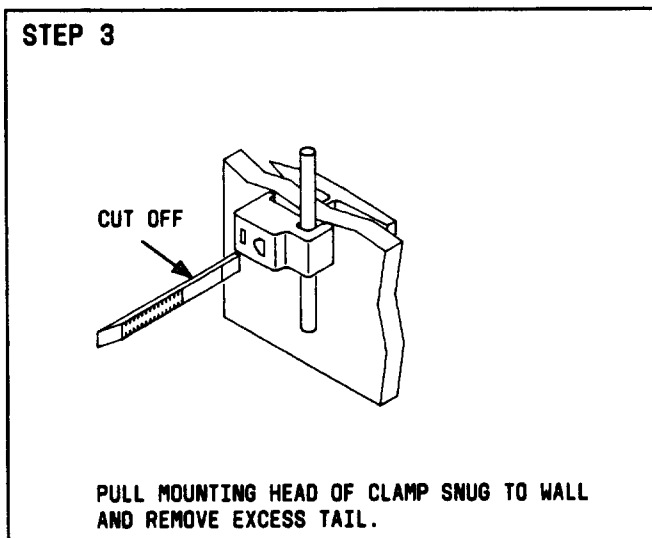
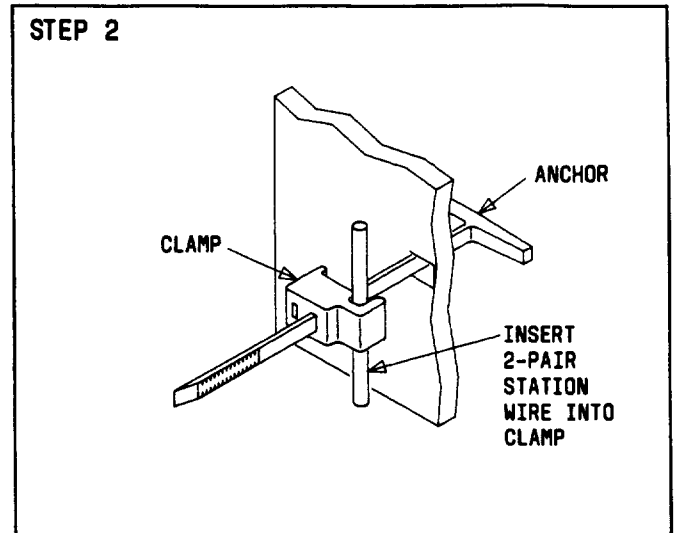
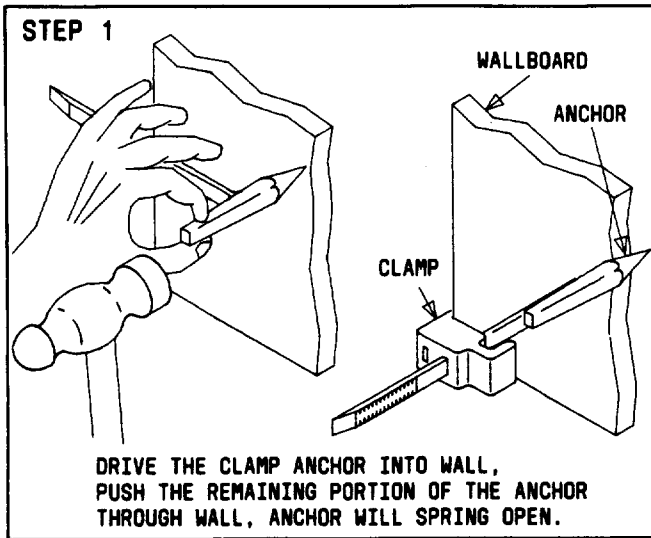


Fig. 1—B Station Wire Clamp

### NOTICE

Not for use or disclosure outside the  
Bell System except under written agreement



**Fig. 3—Installation Instructions for B Wallboard Clamp**