

B HANGER CLIP

1. GENERAL

1.01 This spring steel clip (Fig. 1) equipped with drive rings is used to support inside wires or cable above suspended false ceilings.

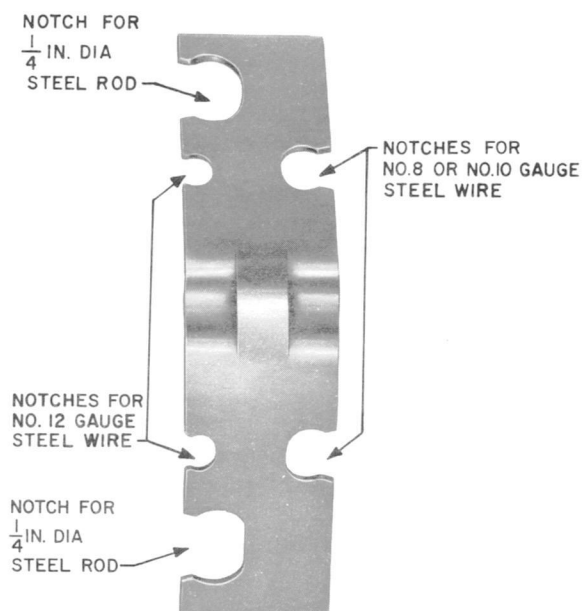


Fig. 1 - B Hanger Clip

1.02 The clip is U shaped and is equipped with three pairs of notches, sized to accommodate 1/4 inch rods of 8, 10, and 12 gauge steel wire.

1.03 A loop at the apex provides a drive fit for the shank portion of drive rings. This loop will accommodate 5/8, 5/8L, 7/8, and 7/8L inch drive rings.

1.04 Although the clip is particularly useful on hanger wire or rods, it may be used wherever other types of wire or rods are conveniently located.

1.05 Fig. 2 illustrates a typical installation above a suspended false ceiling.

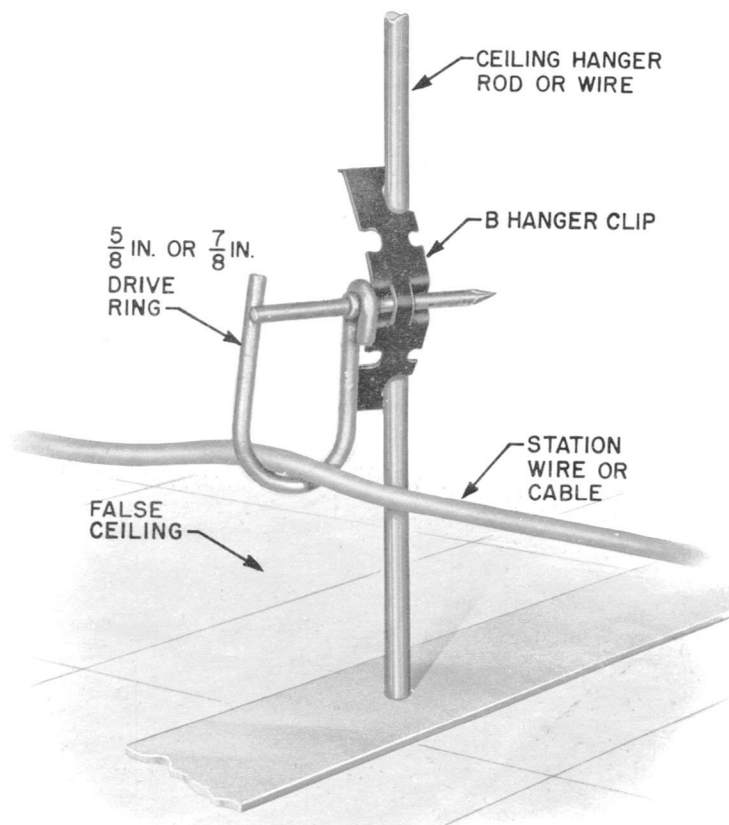


Fig. 2 - B Hanger Clip Installed