

CODED GAUGES 62B THROUGH 70H DESCRIPTION

1. GENERAL

63—MFR DISC.

1.01 This section covers coded gauges 62B through 70H.

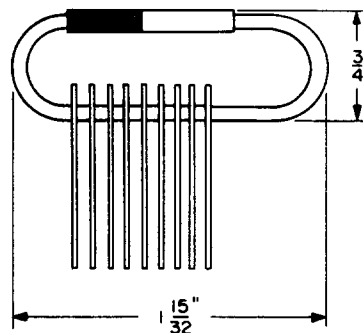
66D

1.02 This section is reissued to:

- Revise the format
- Rate the 63 gauge Mfr Disc.

The Equipment Test List is not affected.

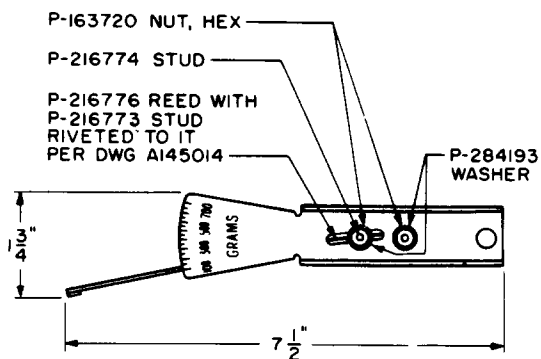
1.03 For Apparatus Requirements and Adjusting Procedures for Gram Gauges, refer to Section 085-102-701.



Thickness Gauge Nest. Consists of the following coded gauges on a P-12B389 ring. The individual gauges are readily removable and replaceable.

2. DESCRIPTION OF GAUGES

62B



0-700 Gram Gauge.

Accuracy, $\pm 1/2$ scale division.

Replaces the 62 gauge.

For general use.

CODE	THICKNESS (INCH)
67A	.015
67B	.020
67C	.025
67D	.030
67E	.035
67F	.040
67G	.003
67H	.004
67J	.008
67K	.005
67L	.006
67M	.010
67N	.023
67P	.045

Replaces the 66A, B, and C gauges.

For general use.

NOTICE

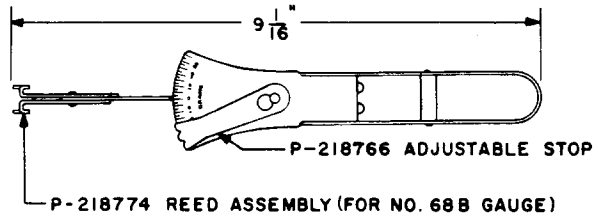
Not for use or disclosure outside the Bell System except under written agreement

SECTION 084-103-101

68B

68C

68D



70-0-70 Gram Gauge.

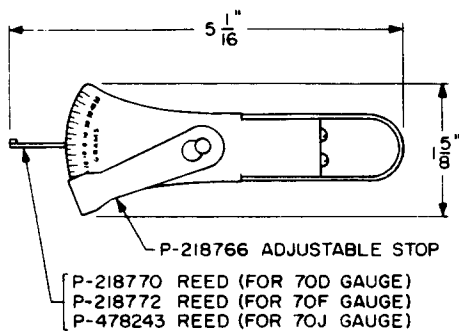
The 68B gauge replaces the 68 gauge. The 68D replaces the D-160477 gram gauge.

For general use.

70D

70F

70J



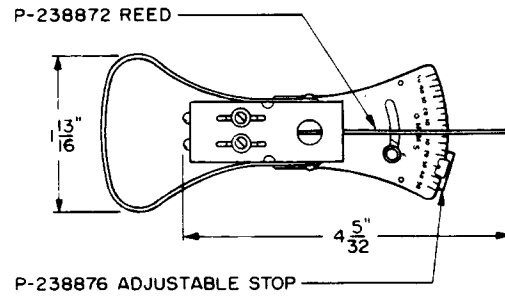
70D - 50-0-50 gram gauge.

70F - 10-0-10 gram gauge.

70J - 0-150 gram gauge.

The 70D gauge replaces the 70 gauge.
The 70F gauge replaces the 70C gauge.
The 70J gauge replaces the 70E gauge.
The 70D and 70J gauges are for general use.
The 70F gauge is for general use on relays.

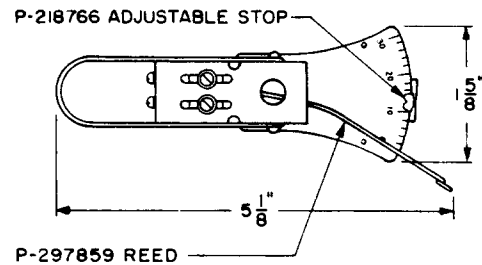
70G



50-0-50 Gram Gauge.

For use on ringers.

70H



0-30 Gram Gauge.

For general use.