

CODED GAUGES
82 THROUGH 91
DESCRIPTION

1. GENERAL

83B

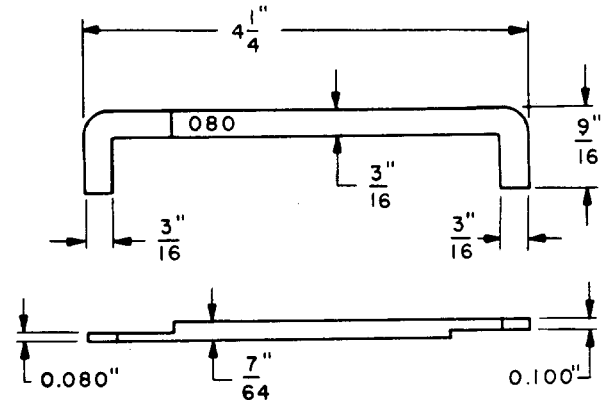
1.01 This section covers coded gauges 82 through 91.

1.02 This section is reissued to:

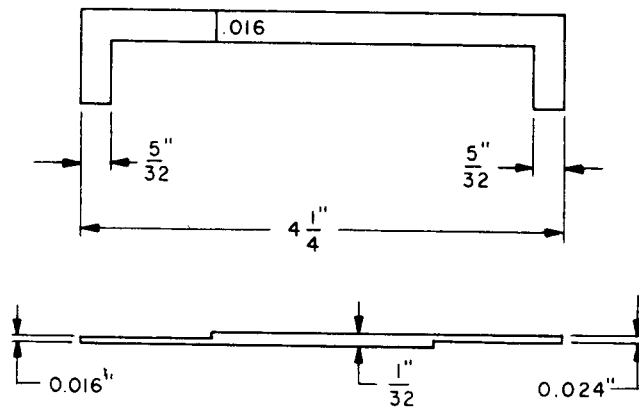
- Revise the format
- Rate 85B, 85C, 86, and 89 gauges Mfr Disc.

The Equipment Test List is not affected.

2. DESCRIPTION OF GAUGES



82B



.080 inch and .100 inch double-end thickness gauge.

Replaces the 49, 50, and 83 gauges.

For use on clutches.

.016 inch and .024 inch double-end thickness gauge.

Replaces the 46 and 82 gauges.

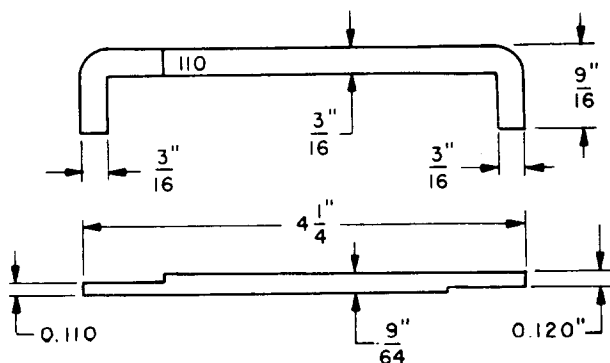
For use on clutches and 100-type interrupters.

NOTICE

Not for use or disclosure outside the
Bell System except under written agreement

84B

Thickness Gauge



.110 inch and .120 inch double-end thickness gauge.

Replaces the 51, 52, and 84 gauges.

For use on helical spring type clutches.

85A

85B—MFR DISC.

85C—MFR DISC.

85D

85E

85F

85H

85J

85K

CODE	DIM. A (INCH)
85A	.005
85B	.010
85C	.020
85D	.024
85E	.034
85F	.015
85H	.014
85J	.016
85K	.018

The 85B gauge replaces the 53 and 72 gauges.

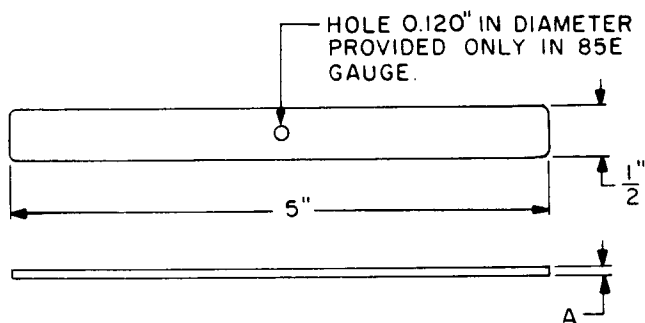
The 85C gauge replaces the 55 and 72 gauges.

The 85A through F gauges are used on vertical drive shafts and associated apparatus.

The 85A, B, and C gauges are for use on power driven rotary selectors, A-and-B type sequence switches, and elevator apparatus.

The 85D, E, and F gauges are for use on A-and-B type sequence switches.

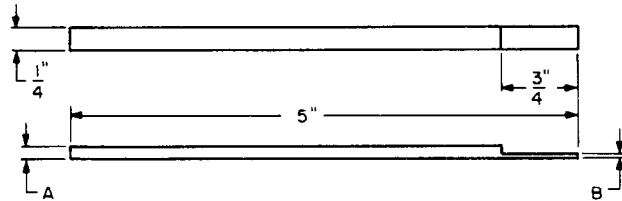
The 85H, J, and K gauges are for use on the 1-type translators.



86—MFR DISC.

87A

87B



Double End Thickness Gauge

CODE	DIM. A (INCH)	DIM. B (INCH)
87A	.040	.022
87B	.045	.030

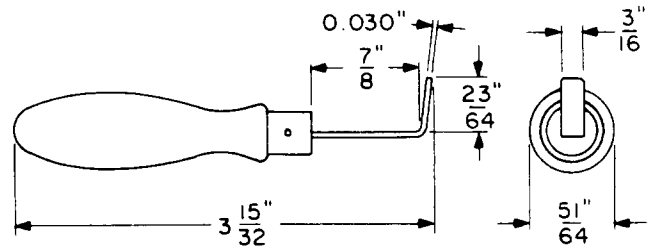
These gauges are for use on power driven rotary selectors, panel line finder and call distributing B link elevator apparatus. The 87A gauge is also for use on KS-6902 and KS-6903 relays and A-and-B type sequence switches.

88A—MFR DISC.

88B—MFR DISC.

89—MFR DISC.

90



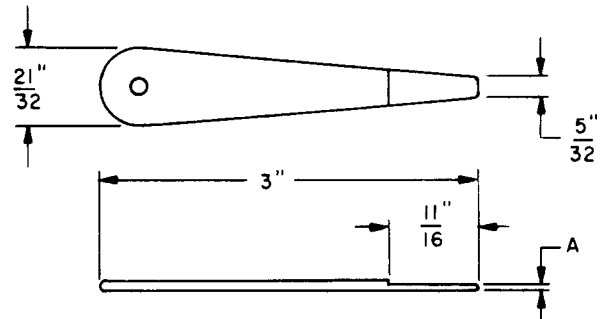
.030 inch thickness gauge.

For use on round type relays.

91A

91B

91C



Non-Magnetic Thickness Gauge

CODE	DIM. A (INCH)
91A	.014
91B	.020
91C	.060

The 91A gauge is for use on 218B relays.

The 91B gauge is for use on 218B relays and 169A interrupters.

The 91C gauge is for use on the 156B and 100-type interrupters and 202-type switches.