

**COIN TRUNK CIRCUIT SD-31592-02
ARRANGED FOR COIN FIRST SERVICE
OPERATION TESTS
USING TEST SET SD-31858-01 (J34701A)
STEP-BY-STEP SYSTEMS**

1. GENERAL

PAGE

1.01 This section describes a method of testing the operating features of the coin trunk SD-31592-02 arranged for coin first service in 355A, 360A, and 35E97 community dial offices using the SD-31858-01 (J34701A) test set. Information in this section was formerly contained in Section 226-521-501.

metallic cut-through over which the operator controls the coin and also the feature that provides the operator with a means of holding a trunk and ringing back through it.

16

1.02 This section is reissued to revise paragraph 1.05 to include information about sleeve identification when performing Test D in offices equipped with ANI. This issue does not affect the Equipment Test List.

E. P1 Relay Release Test: This test checks the ability of the P1 relay in the coin trunk to release satisfactorily under an open circuit condition.

18

1.03 The tests covered are:

PAGE

F. RT Relay Operate Test: This test applies a critical operate test of the RT relay.

20

A. Coin Collect—Loop: This test checks the coin collect features of the coin trunk while pulsing under a loop condition.

7

G. Stuck-Coin Alarm Test: This test checks that the stuck-coin alarm feature of the coin trunk functions satisfactorily.

21

B. Coin Collect—Loop Using Connector Test Line SD-31857-01, Fig. 3 (99 Terminal): This test checks the coin collect features of the coin trunk while under a loop condition.

11

H. Coin-Trunk-Timed-Release Circuit Test (SD-31861-01): This test checks that the coin-trunk-timed-release circuit will release the trunk when a stuck-coin condition is applied.

22

C. Coin Return—Leak: This test checks the coin return feature of the coin trunk while under a leak condition.

15

1.04 These tests should preferably be made during periods of light traffic, and the performance of Test D should be coordinated with the group responsible for operator services.

D. Operator Cut-Through and Ringback: This test checks the

1.05 During Test D, when testing to a TSPS office, and automatic number identification (ANI) equipment is provided, a sleeve identification will have to be provided to prevent a second trial

NOTICE

Not for use or disclosure outside the
Bell System except under written agreement

SECTION 226-521-503

transverter failure registrations. ♦(See Fig. 1 for example of providing this sleeve identification.)♦

1.06 The test set is not designed to make an operate test of the P1 relay. Whenever circuit operation indicates a need, the P1 relay should be adjusted in accordance with the Circuit Requirements Table of SD-31592-02.

1.07 The RT relay operate test uses an external resistance ground to simulate coin deposit, providing a critical operate test. Any RT relay that fails this test should be adjusted in accordance with the Circuit Requirements Table of SD-31592-02.

1.08 When testing coin trunks equipped with coin-trunk-timed-release circuit (SD-31861-01), test each trunk in accordance with procedures of Test G; then test each trunk in accordance with procedures of Test H.

1.09 During Test H, the check of the coin-trunk-timed-release circuit register, if provided, will cause the register to advance. The reporting of this register operation should be in accordance with local instructions.

1.10 When making the coin-trunk-timed-release circuit (SD-31861-01) ineffective in an office arranged for extending alarms to another office, operate audible alarm switch or key to a position where audible alarm will be heard. For offices not arranged for extending alarms, at coin-trunk-timed-released circuit (SD-31861-01), turn CO key to a position where GD lamp lights. Some offices may have circuit arrangements which do not furnish key control. In this case it will be necessary to block coin-trunk-timed-release C relay in the nonoperated position.

1.11 When making the coin-trunk-timed-release circuit (SD-31861-01) effective in an office arranged for extending alarms to another office, operate audible alarm switch or key to a position that makes alarms extend to another office. Notify proper person in the distant office that alarms have been transferred. For offices not arranged for extending alarms, at coin-trunk-timed-release circuit (SD-31861-01), turn CO key to a position where GD lamp is extinguished.

2. TEST PROCEDURES

A. Apparatus

Tests A Through H

2.01 Test set J34701A (SD-31858-01).

2.02 Head telephone set, 52-type.

2.03 Two P3E patching cords, 6 feet long, equipped with red-shelled 310 plugs (3P7A cords).

Test E

2.04 If test set is equipped with a CL jack, use a patching cord, 3P15B, consisting of one P3K cord, 12 feet long, equipped with two 310 plugs.

2.05 If test set is not equipped with a CL jack, a special test cord made up locally as shown in Fig. 2 must be used with test set. The physical arrangement of the lamp, key, and resistor can be determined locally. In offices where a battery and ground jack is not available, two KS-6780 connecting clips and two 108 cord tips should be used in place of the 310 plug with black shell.

Test F

2.06 Resistor 63T (2000 ohms).

2.07 Testing cord, 893 cord, 3 feet long equipped with two 360A tools and two KS-6278 connecting clips (1W13A cord) used to connect 63T resistor to ground.




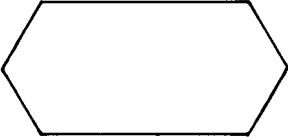
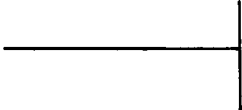

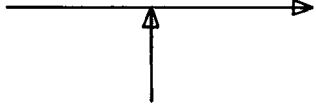
2.08 Testing cord, W2F cord, 9 feet 6 inches long, equipped with one 347C plug and two 59 cord tips (2W7A cord) used to connect resistance ground to test set.

B. Flowcharts

2.09 Table A provides an explanation of the symbols that are used in the test procedure flowcharts.

TABLE A

FLOW CHART EXPLANATIONS

SYMBOL	EXPLANATION
	Indicates the beginning of the procedure and an exit or entrance reference to pages within same procedure.
	Indicates an action which is performed on a manual or automatic basis.
	Brackets are used to reference supporting-type data.
	Used to represent a decision which determines which one of two paths to take.
	The end of procedure symbol is used to denote that the end of the emergency action condition has been completed.
	Used to indicate the direction of information flow.
	Used to indicate two processes flowing into a common sequence.

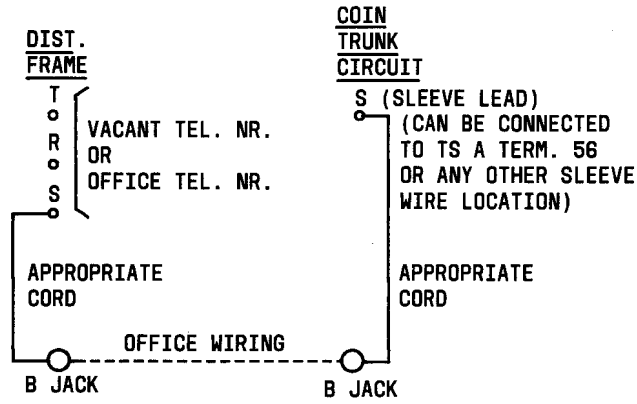


Fig. 1—Example of Connections Needed for Test D When Office is Equipped With ANI

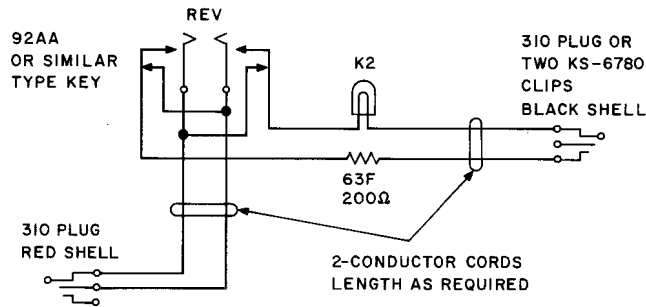


Fig. 2—Test Cord

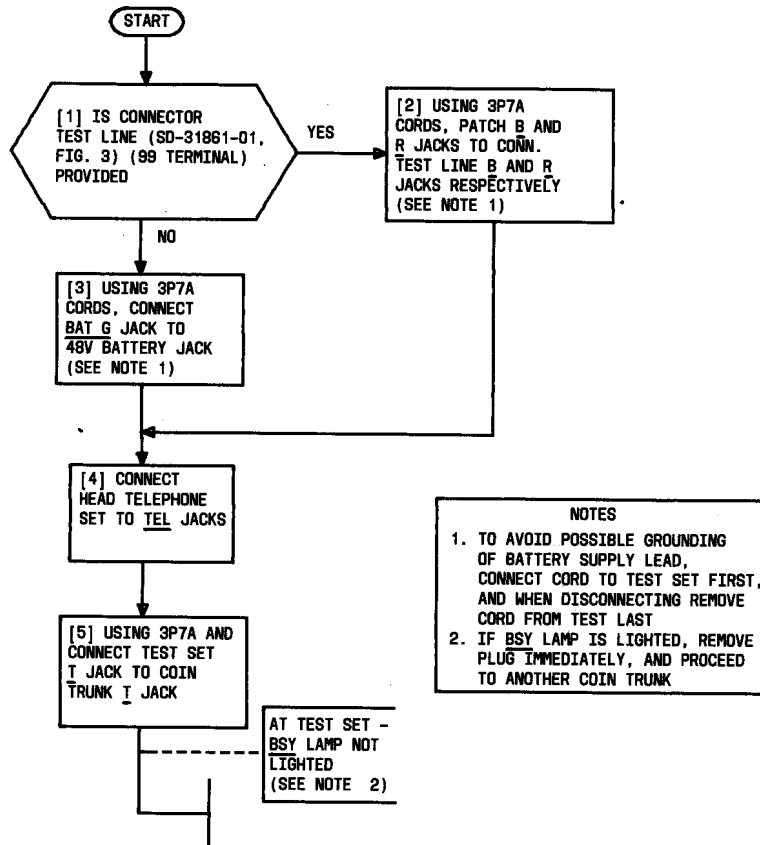


Fig. 3—Test Preparation

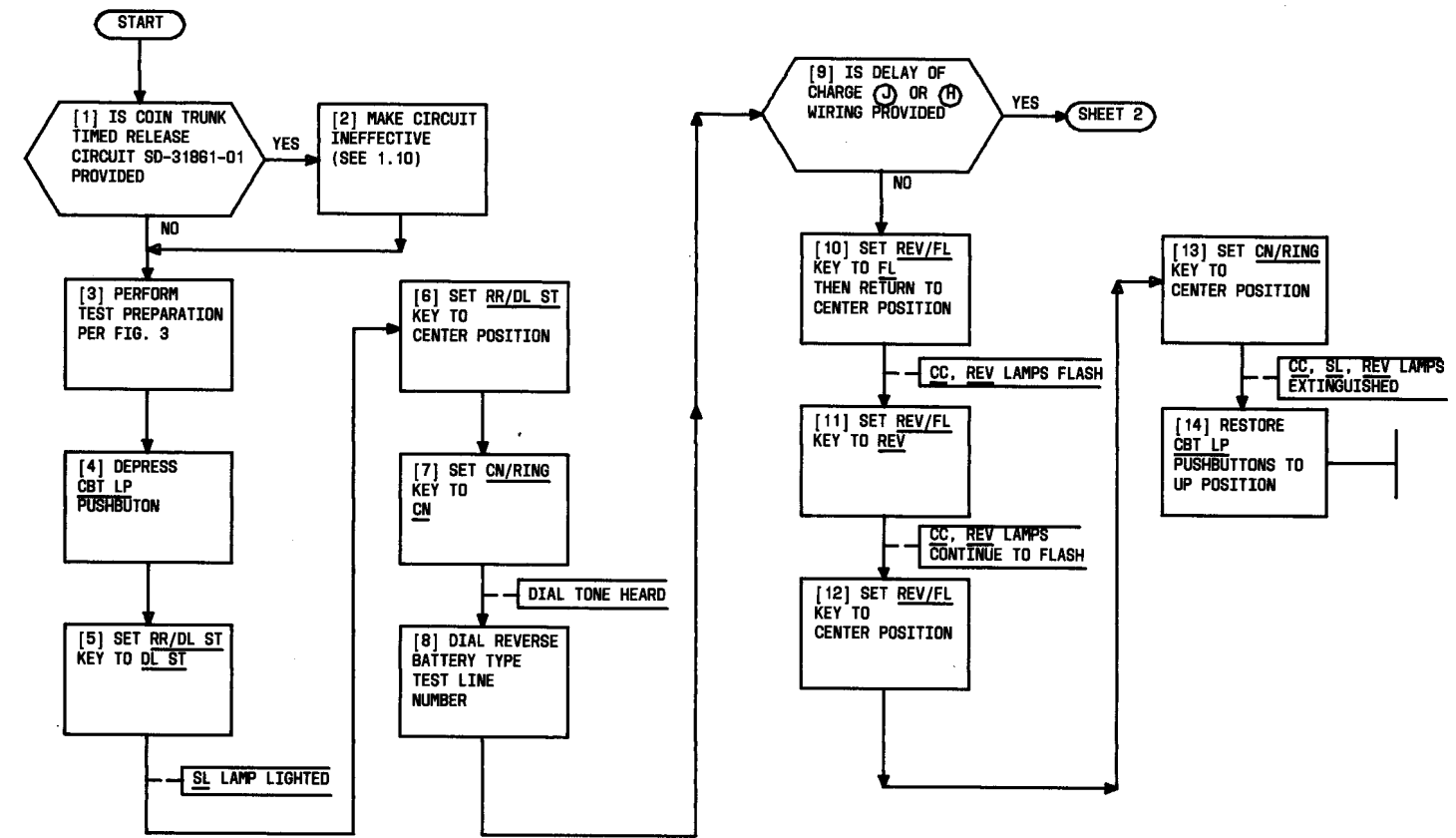


Fig. 4—Test A: Coin Collect-Loop (Sheet 1 of 2)

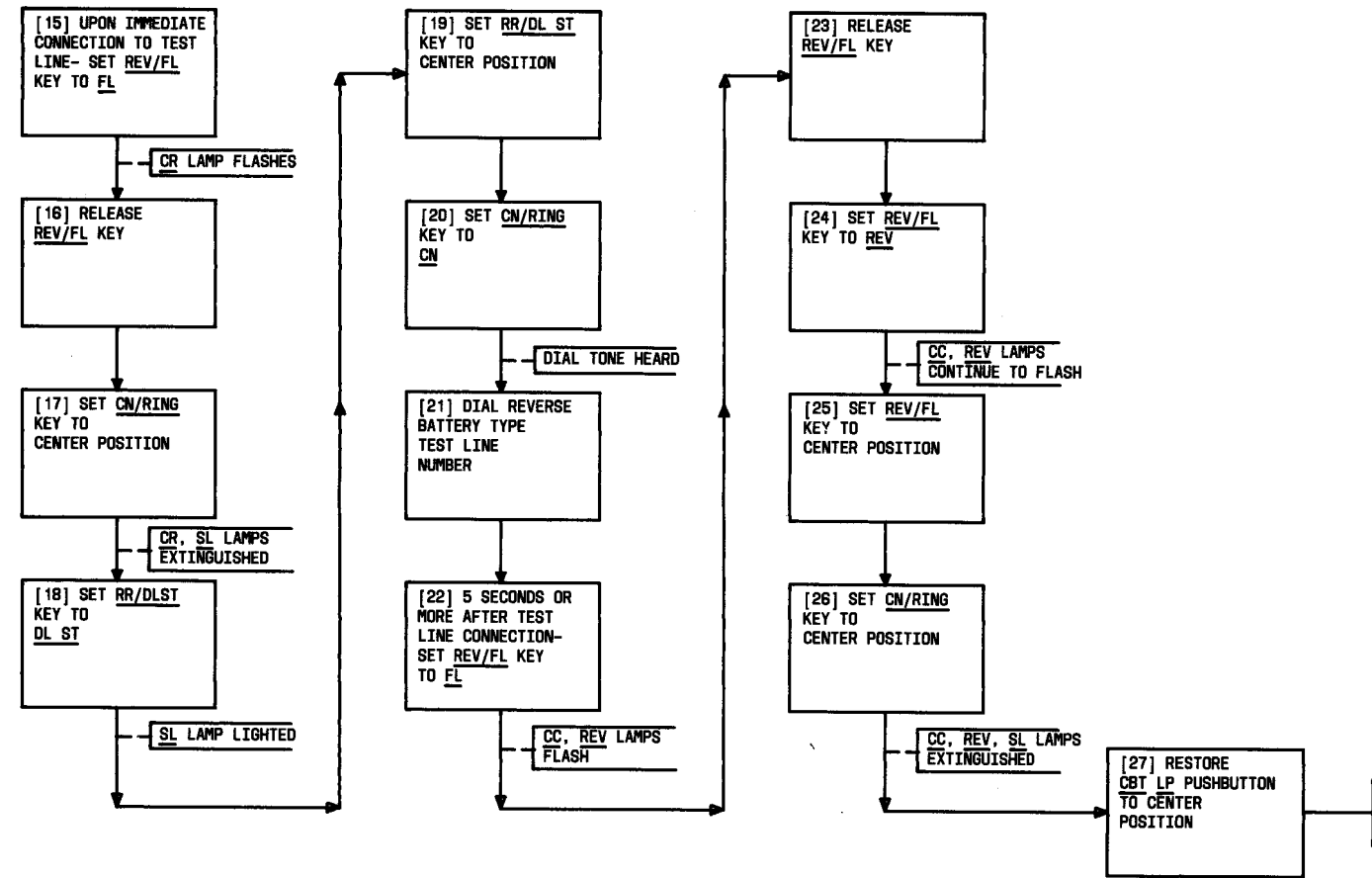


Fig. 4—Test A: Coin Collect-Loop (Sheet 2 of 2)

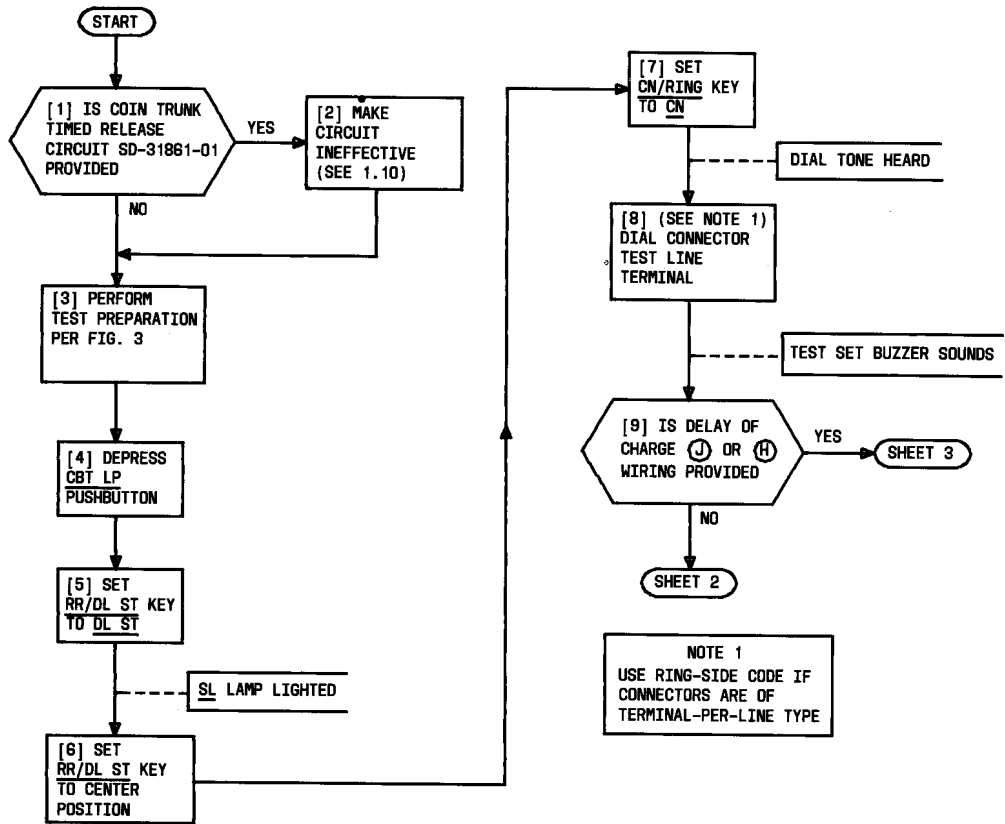


Fig. 5—Test B: Coin Collect-Loop Using Connector Test Line SD-31857-01 Fig. 3 (99 Terminal) (Sheet 1 of 4)

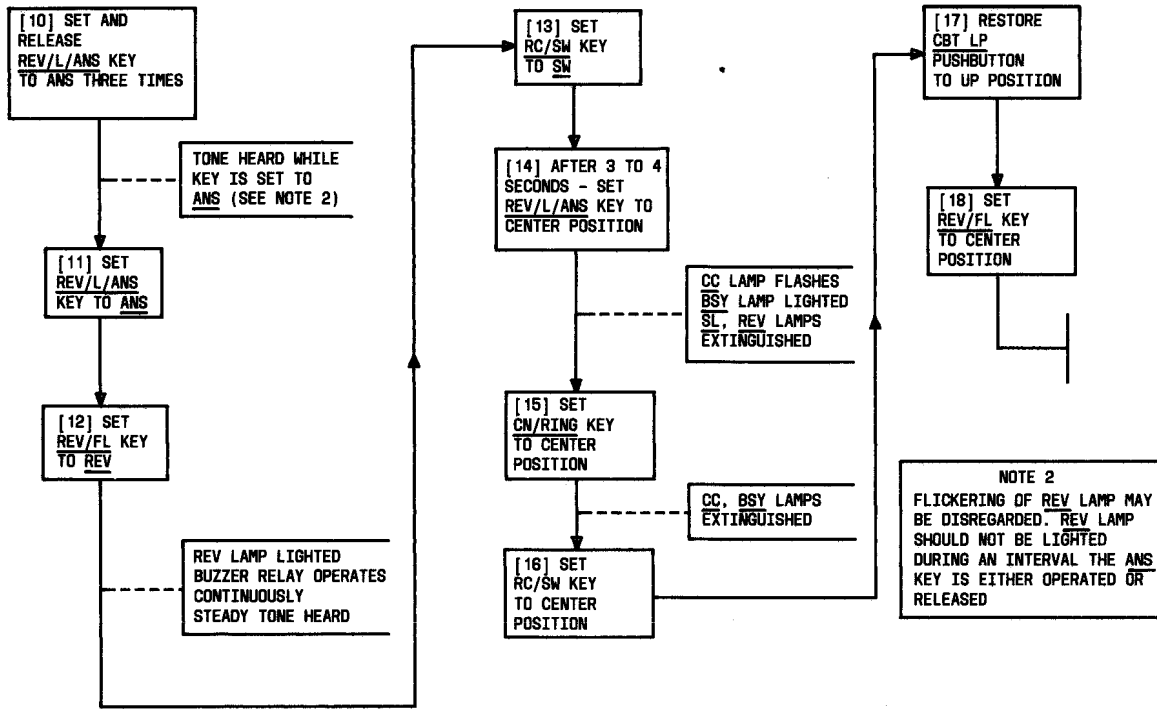


Fig. 5—Test B: Coin Collect-Loop Using Connector Test Line SD-31857-01 Fig. 3 (99 Terminal) (Sheet 2 of 4)

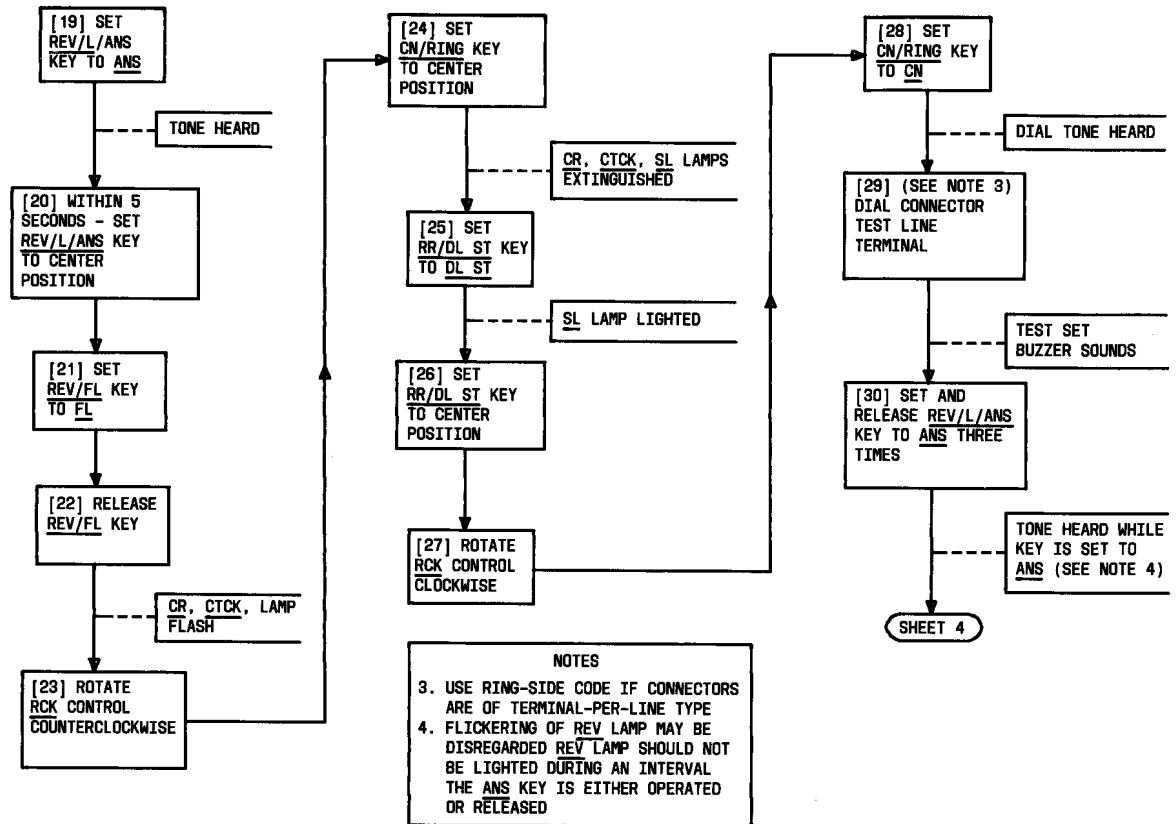


Fig. 5—Test B: Coin Collect-Loop Using Connector Test Line SD-31857-01 Fig. 3 (99 Terminal) (Sheet 3 of 4)

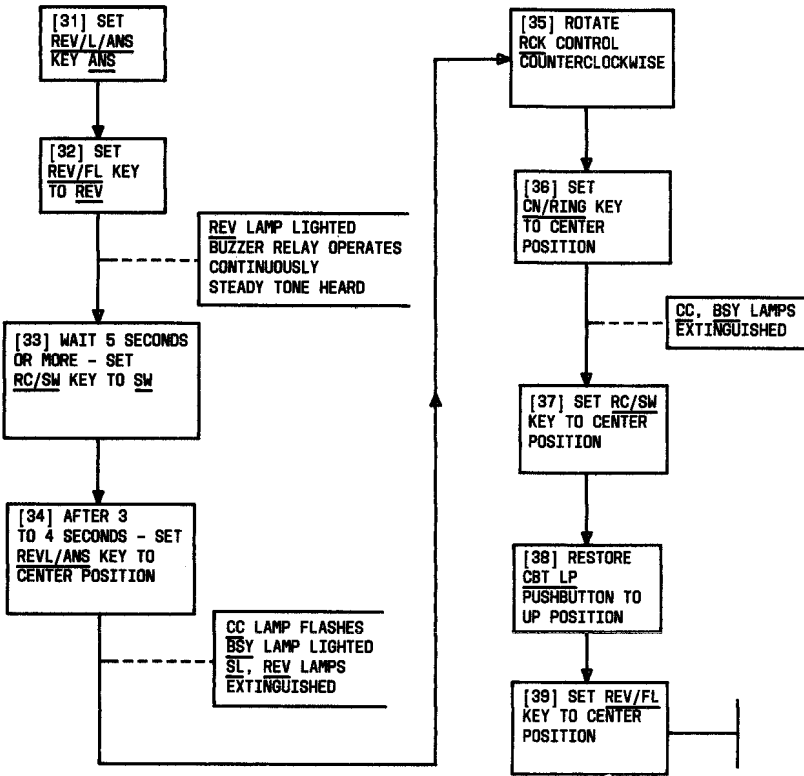


Fig. 5—Test B: Coin Collect-Loop Using Connector Test Line SD-31857-01 Fig. 3 (99 Terminal) (Sheet 4 of 4)

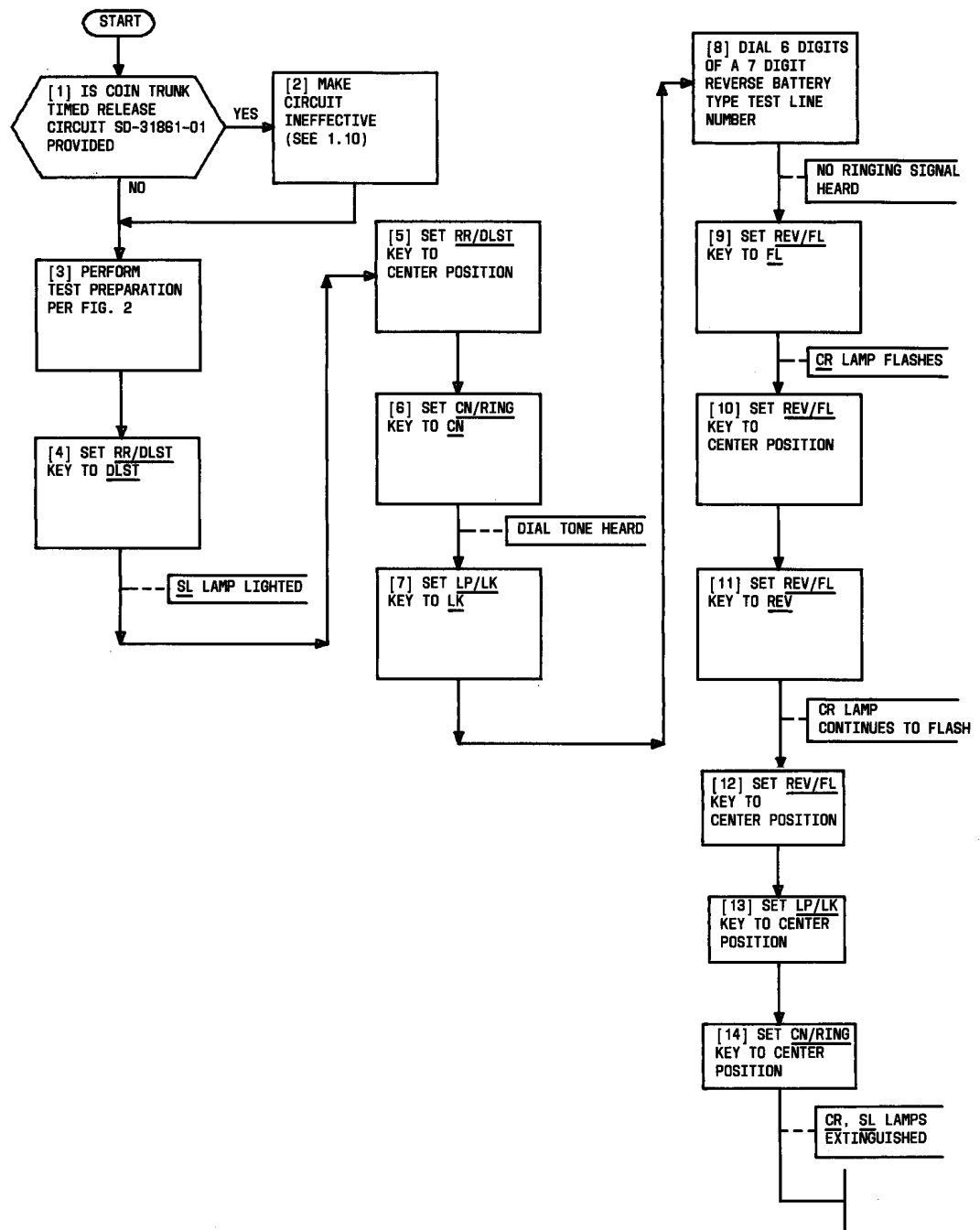


Fig. 6—Test C: Coin Return-Leak

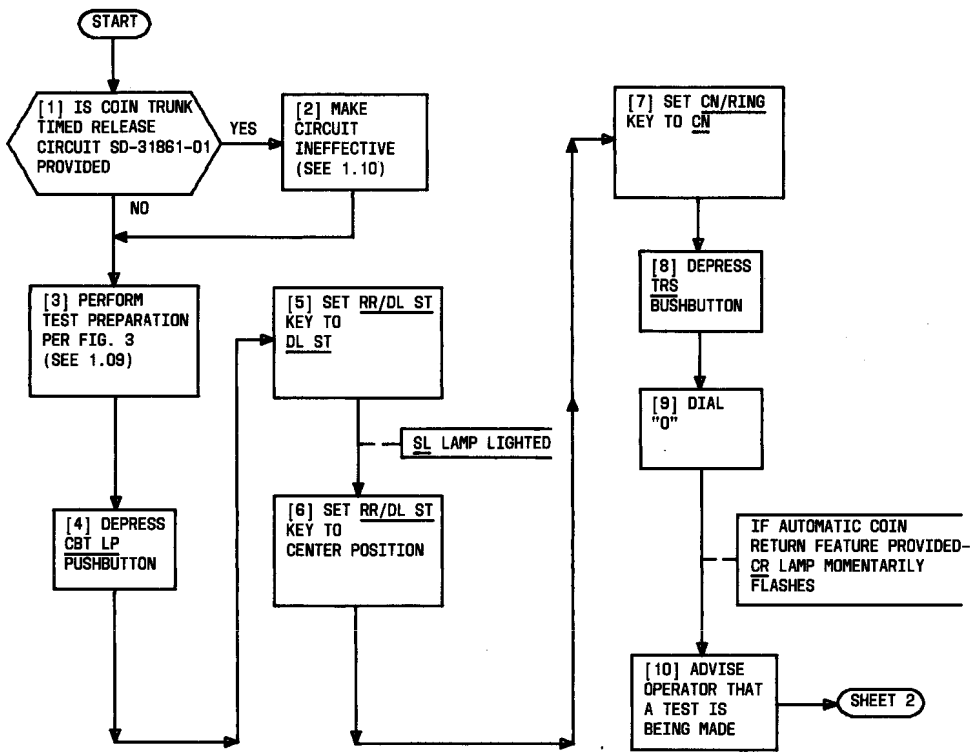


Fig. 7—Test D: Operator Cut-Through and Ringback (Sheet 1 of 2)

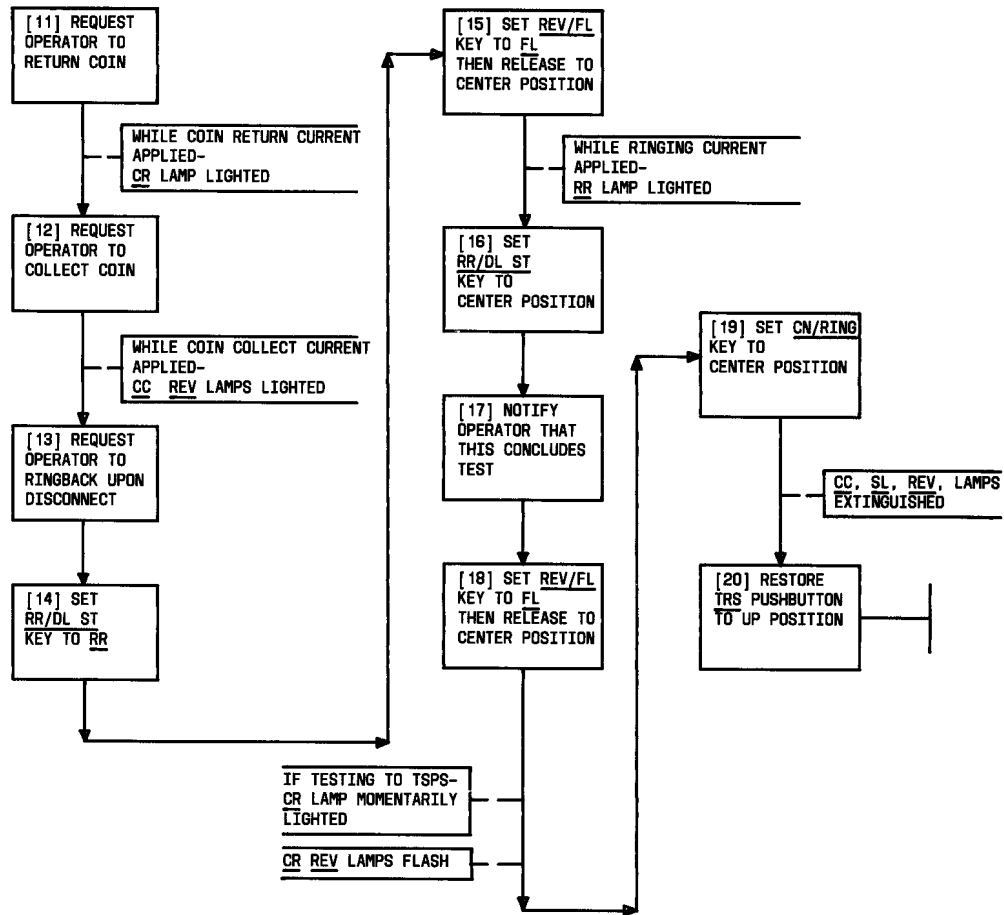


Fig. 7—Test D: Operator Cut-Through and Ringback (Sheet 2 of 2)

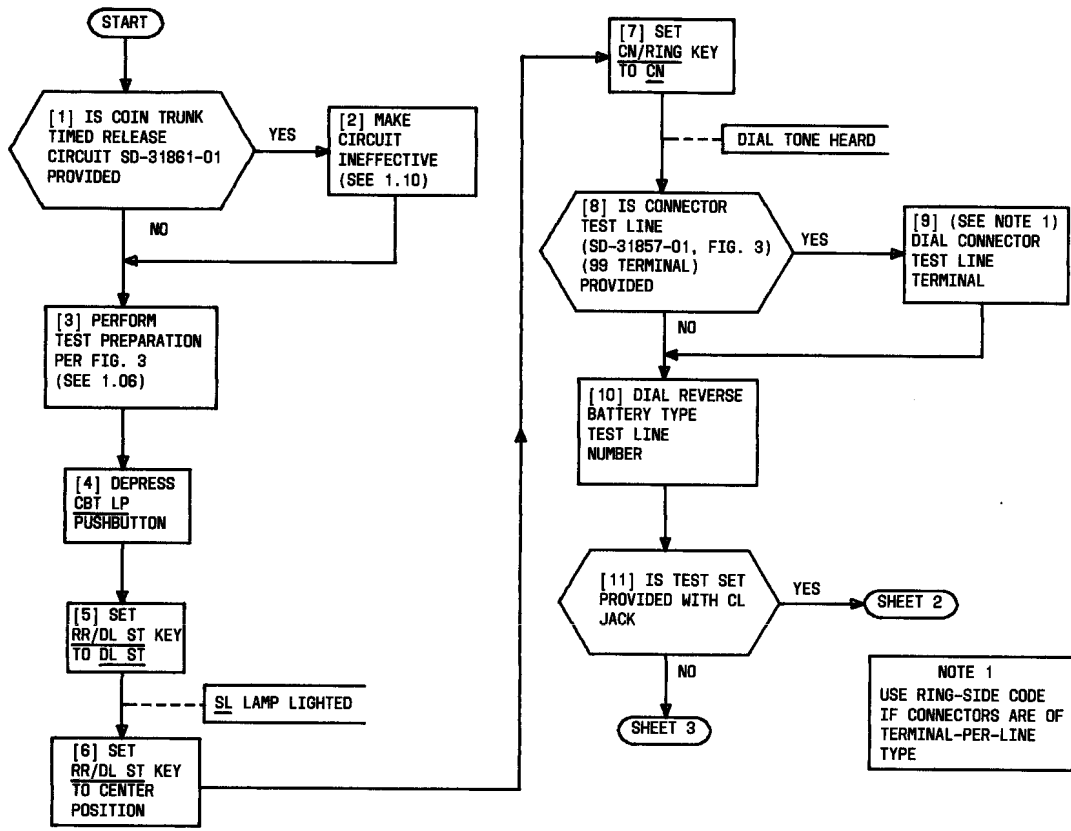


Fig. 8—Test E: P1 Relay Release Test (Sheet 1 of 4)

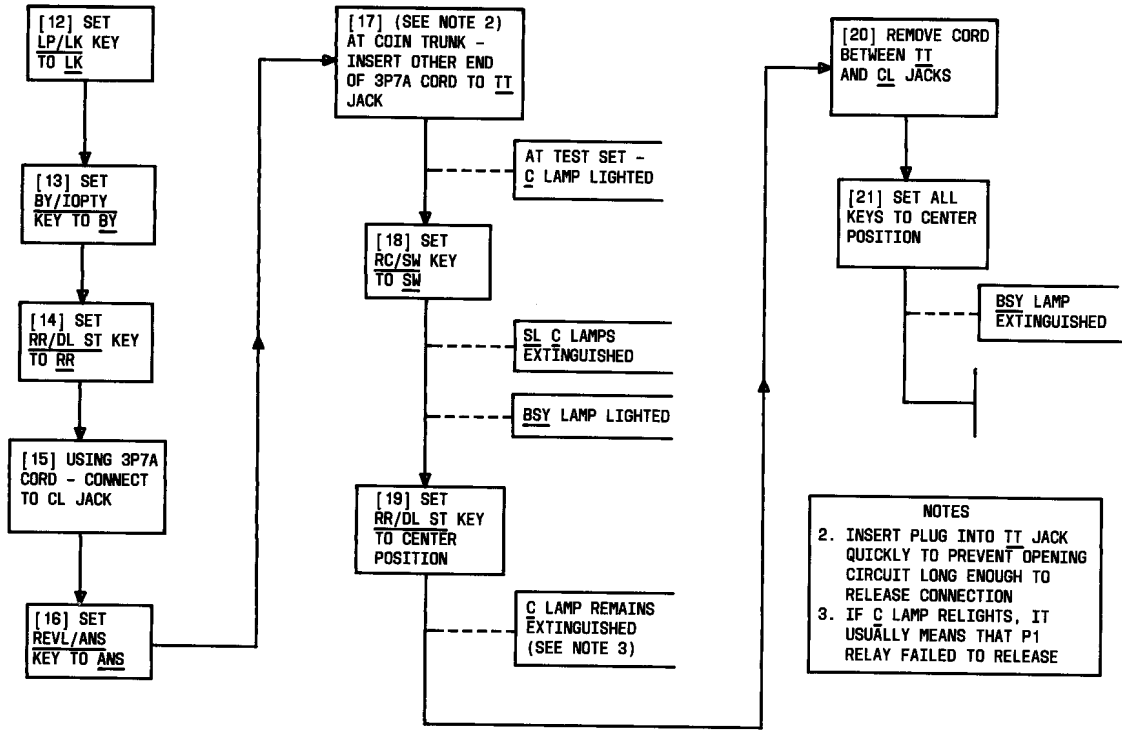


Fig. 8—Test E: P1 Relay Release Test (Sheet 2 of 4)

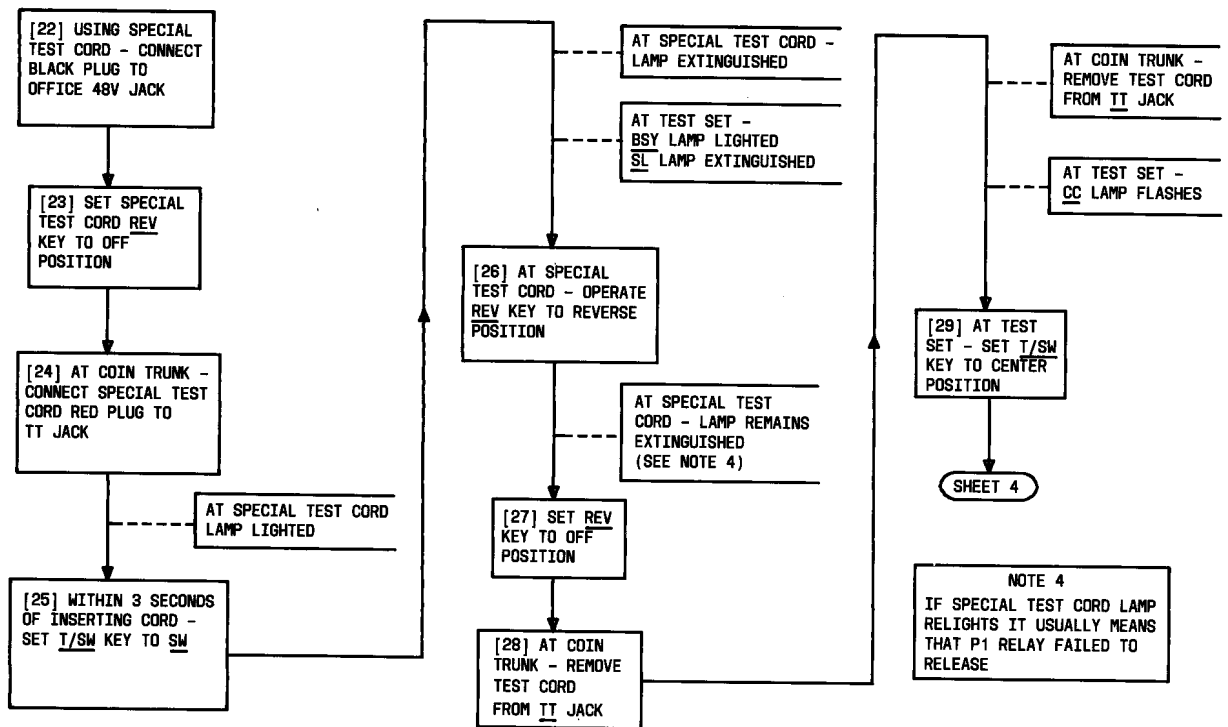


Fig. 8—Test E: P1 Relay Release Test (Sheet 3 of 4)

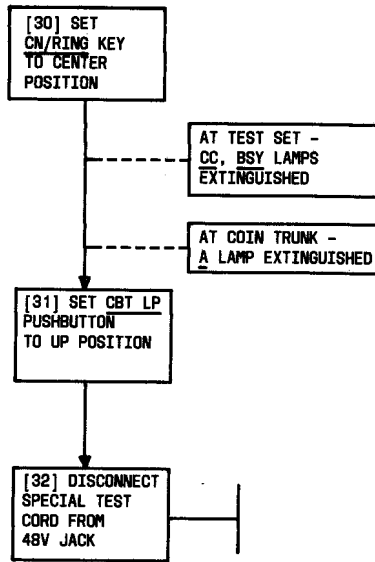


Fig. 8—Test E: P1 Relay Release Test (Sheet 4 of 4)

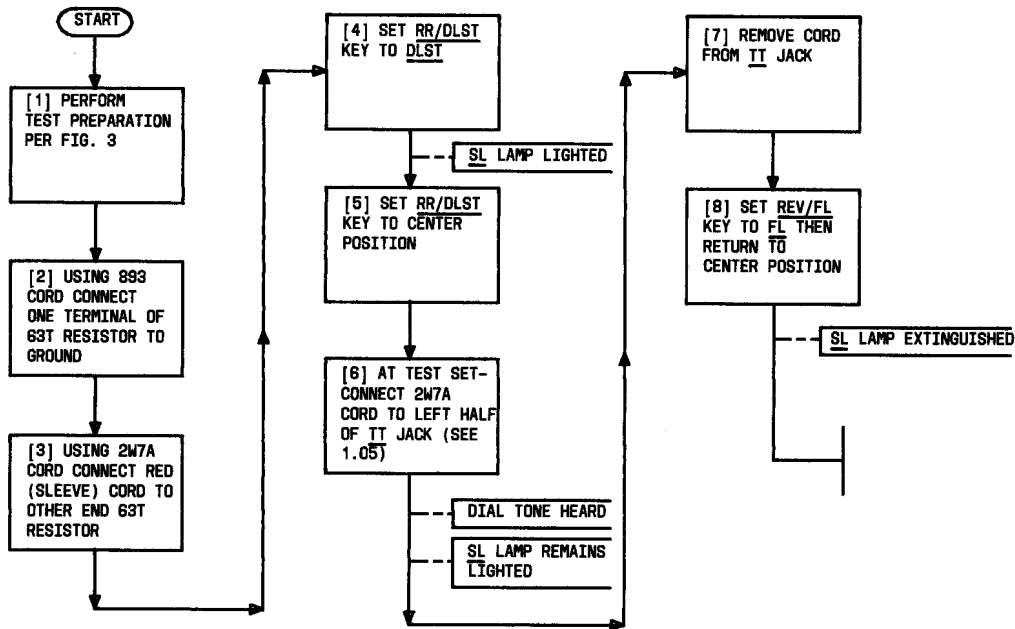


Fig. 9—Test F: RT Relay Operate Test

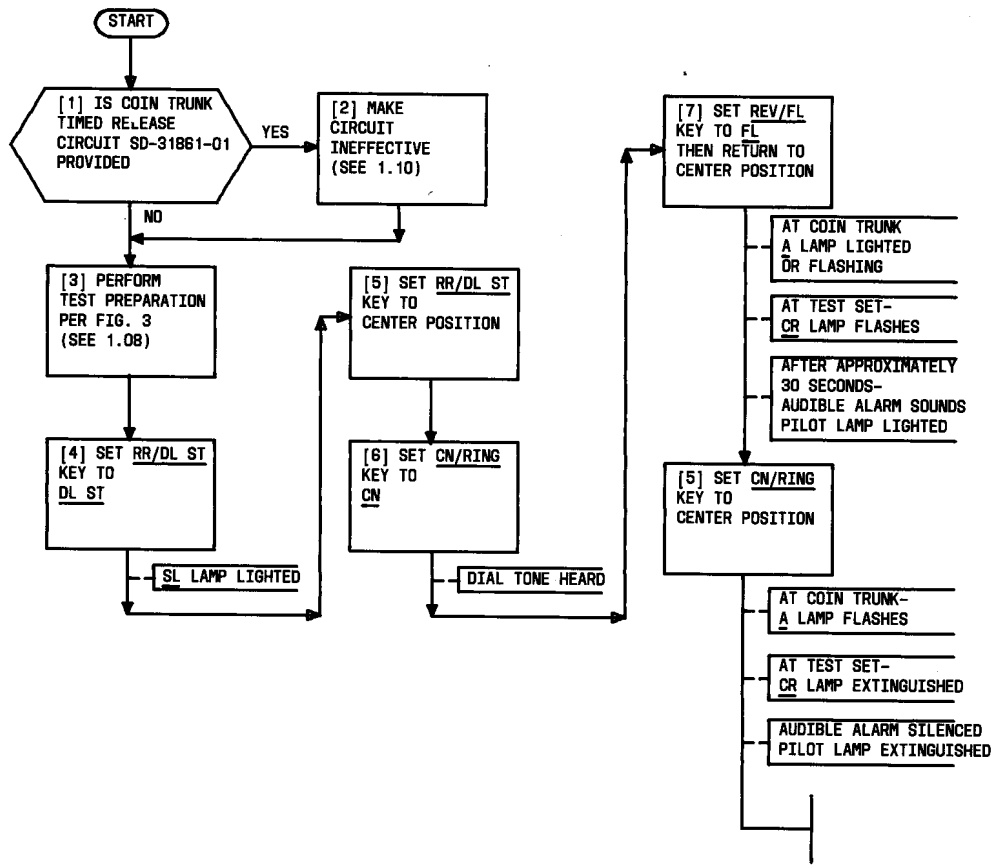


Fig. 10—Test G: Stuck-Coin Alarm Test

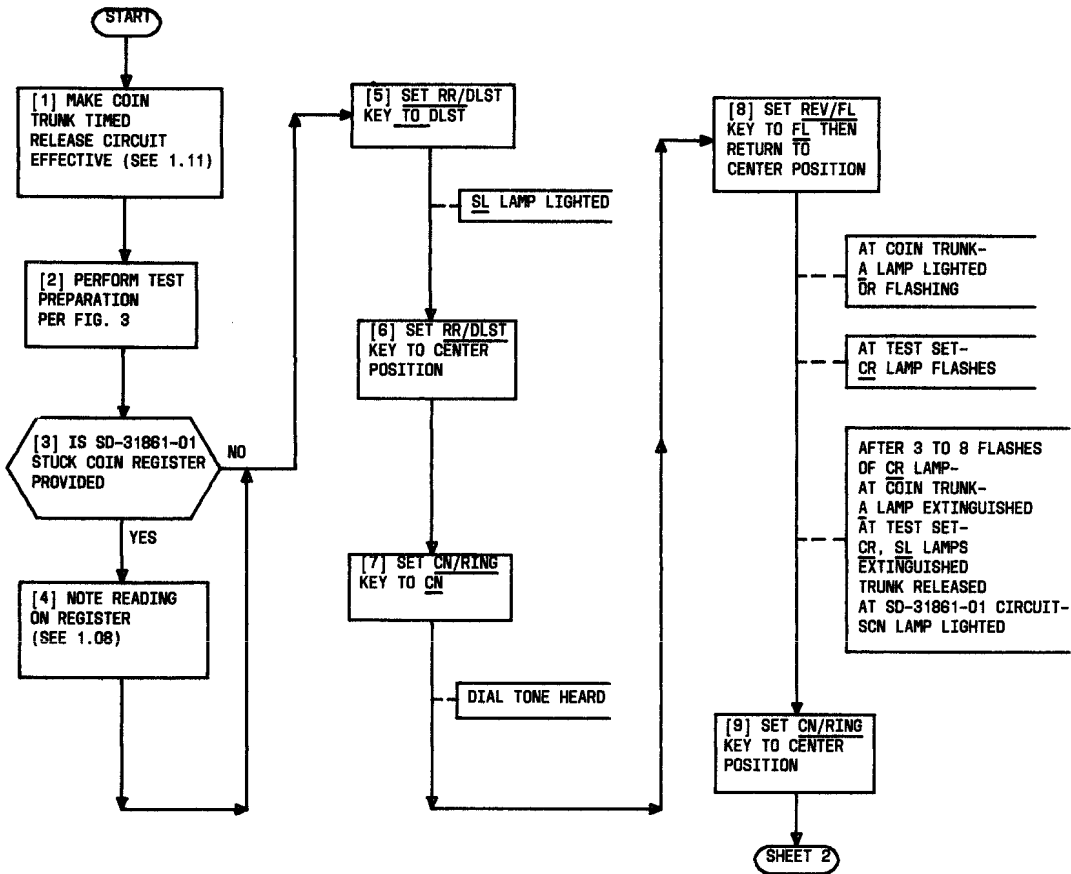


Fig. 11—Test H: Coin-Trunk-Timed-Release Circuit Test (SD-31861-01) (Sheet 1 of 2)

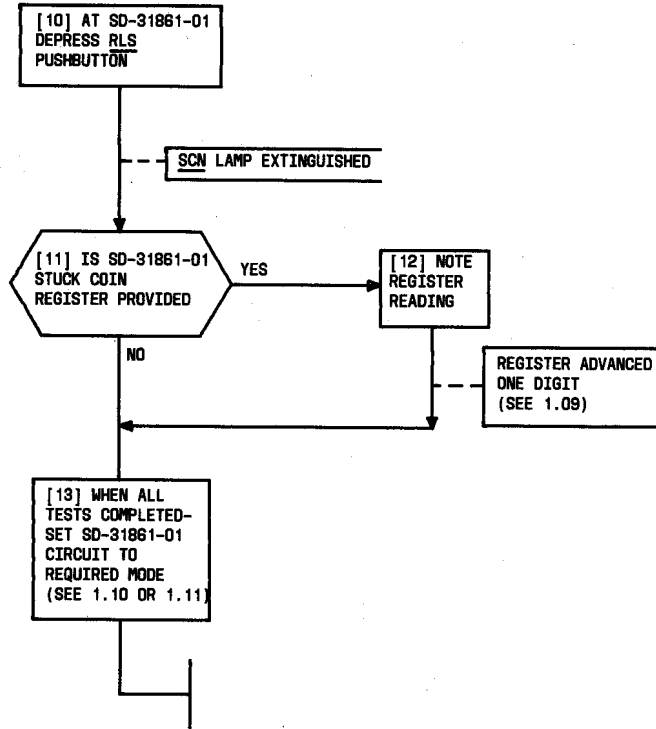


Fig. 11—Test H: Coin-Trunk-Timed-Release Circuit Test (SD-31861-01) (Sheet 2 of 2)