

## J99343EB-1, L1 RINGDOWN CONVERTER SIGNALING UNIT

### DATA SHEET

### METALLIC FACILITY TERMINAL

The J99343EB-1, L1 Ringdown Converter Signaling Unit is used for special service applications requiring ringdown signaling. The unit must be used with an appropriate MFT transmission unit. The unit performs E&M to 20 Hz conversion for end of carrier legs with E&M lead signaling. The unit also performs SG to 20 Hz in multipoint private bi-directional line circuits around bridges. Another conversion performed by this unit is E&M to SG between a carrier with E&M lead signaling and a bridge with SG lead

operation that serves several stations. For a detailed description of this unit, see Section 332-911-104, CD-1C359-01, and SD-1C359-01 (CPS 26). A block diagram is shown in Fig. 1 and switch locations are shown in Fig. 2.

**Signaling Conversion Options:** These options are selected by setting the appropriate screw switches to the desired position as shown in Table A.

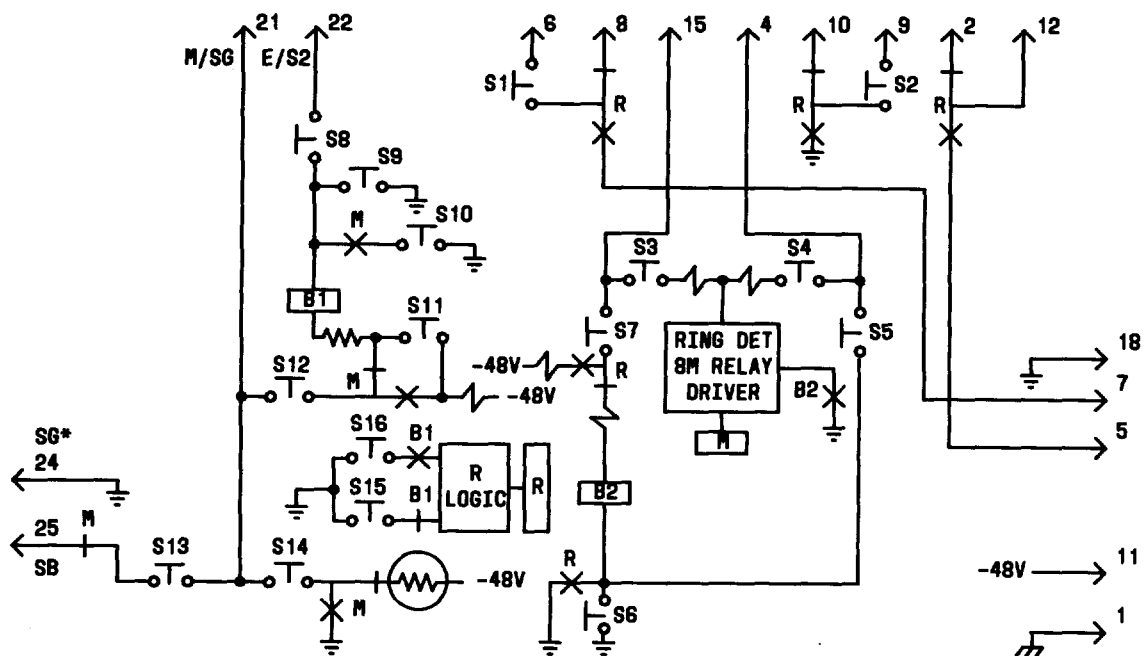


Fig. 1—J99343EB-1, L1 Block Diagram

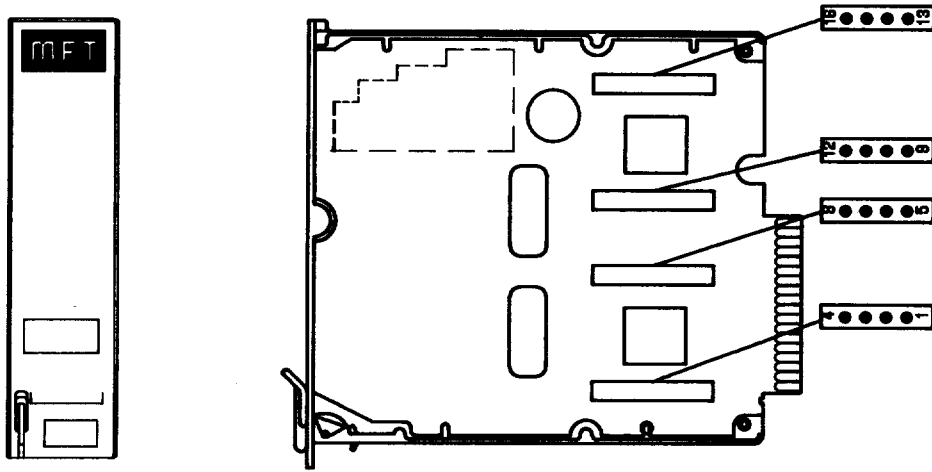


Fig. 2—J99343EB-1, L1 Component Layout

TABLE A																
	1	2	3	4	5	6	7	8	9	10	11	12	13	14	15	16
SG-20 Hz	D	D	D	D	U	U	U	U	D	U	U	D	U	U	U	D
LP SG-20 Hz	D	D	D	D	U	U	U	D	U	D	U	D	U	U	U	D
E&M-20 Hz	D	D	D	D	U	U	U	D	U	U	D	U	U	D	D	U
LP E&M-20 Hz	D	D	D	D	U	U	U	D	U	U	D	U	D	U	D	U
SG-E&M	U	U	U	U	U	D	D	D	U	U	D	U	U	D	D	U
LP SG-LP-E&M	U	U	U	U	D	U	D	D	U	U	D	U	D	U	D	U
LP SG-E&M	U	U	U	U	D	U	D	D	U	U	D	U	U	D	D	U
SG-LP-E&M	U	U	U	U	U	D	D	D	U	U	D	U	D	U	D	U
U = UP D = DOWN																