

**L MULTIPLEX TERMINALS**  
**LMX-1**  
**CARRIER AND PILOT SUPPLIES**  
**64-KHZ AND 308-KHZ GENERATOR CIRCUIT**  
**OUTPUT POWER TESTS**

This section supersedes Section 356-086-501. *Equipment Test Lists are affected.*

**APPARATUS**

*Receiving Test Equipment* (RTE) (Section 356-010-500) having the following input characteristics:

Frequency:	64 kHz	308 kHz
Impedance:	135 ohms	75 ohms
Power:	-41.3 dBm ± 2.0 dB	-46.0 dBm ± 0.2 dB

*2W24A Cord*

STEP	PROCEDURE
1	Prepare the RTE for a 75-ohm measurement of 308 kHz at approximately -46.0 dBm.
2	On the generator under test (Fig. 1), connect the RTE to the 308 KC OUT jack [patch (1), Fig. 2].
3	Read the RTE meter.  <b>Requirement:</b> -46.0 dBm ±0.2 dB
4	If the requirement of Step 3 is not met, perform the following steps in the order listed as necessary to meet the requirements:  (a) Verify the correct output from the 4-kHz distributing circuit per Section 356-151-504.  (b) Adjust the VF amplifier GAIN control.

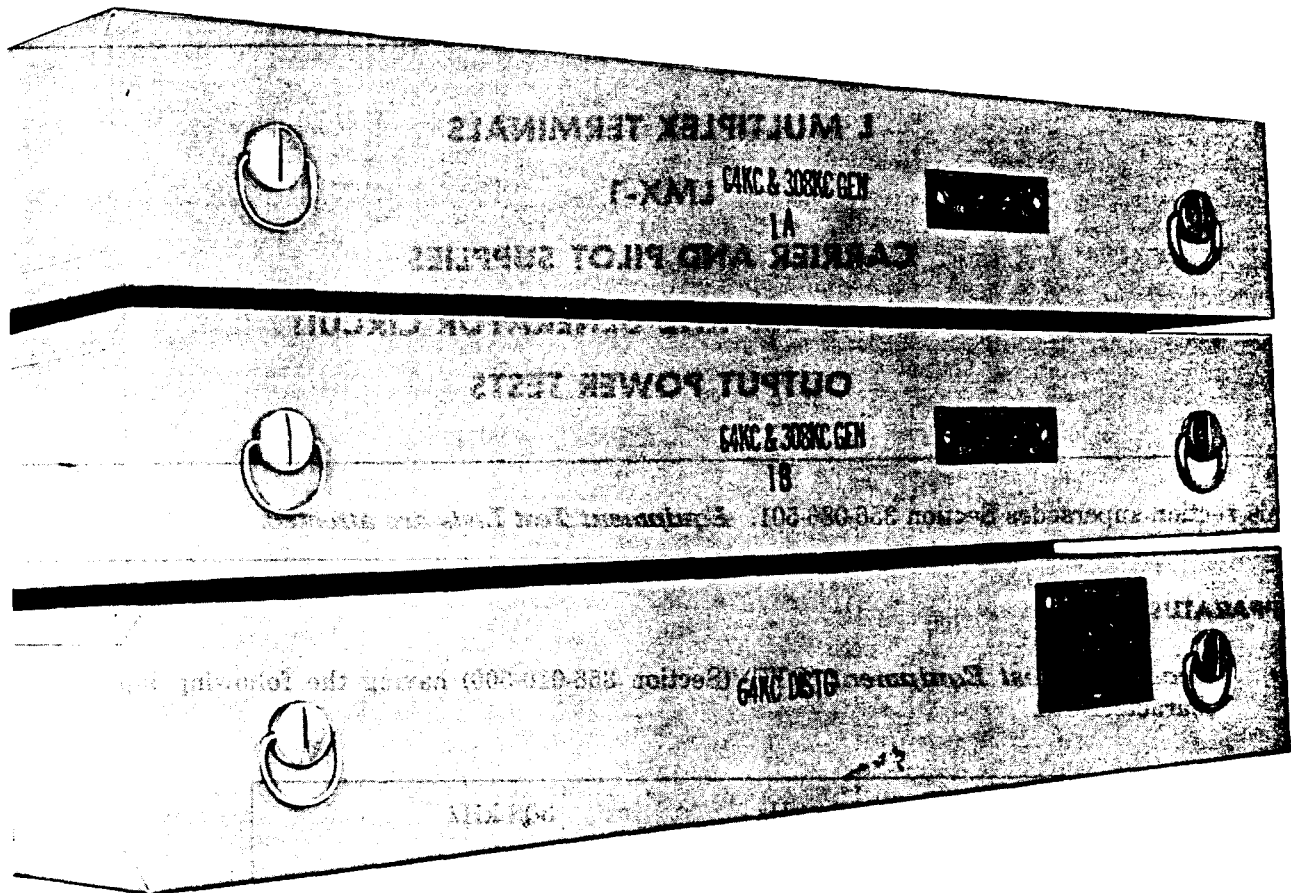


Fig. 1—64-kHz and 308-kHz Generator Unit

STEP	PROCEDURE
5	Remove patch (1), Fig. 2.
6	Prepare the RTE for a 135-ohm measurement of 64 kHz at approximately $-41.3$ dBm.
7	Remove the 64-kHz distributing bus panel.
8	At the 64-kHz distributing bus, connect the RTE to an unused bus tap [patch (2), Fig. 2].
9	Read the RTE meter.  <b>Requirement:</b> $-41.3$ dBm $\pm 2.0$ dB
10	If the requirement of Step 9 is not met, restrap the A pad of the 64-kHz distributing bus to meet the requirement.
11	Remove patch (2), Fig. 2.
12	Replace the 64-kHz distributing bus equipment cover.

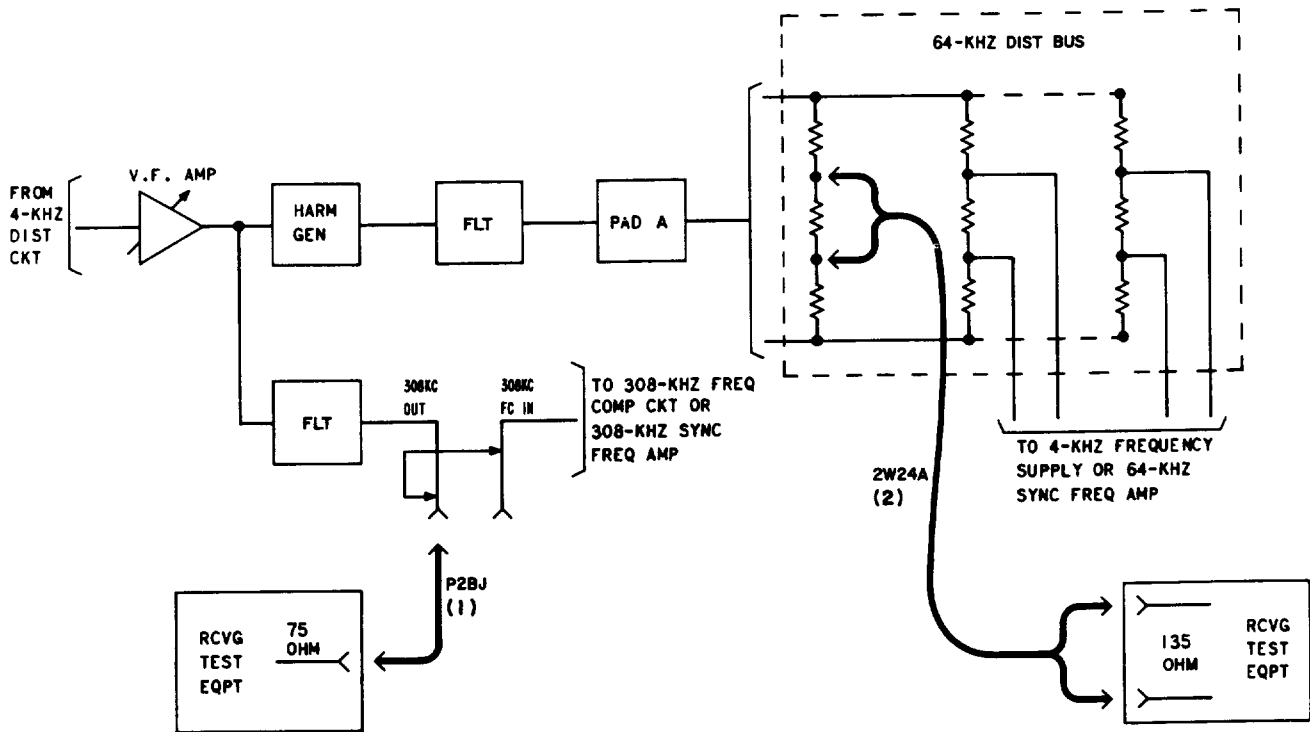


Fig. 2—64-kHz and 308-kHz Generator Circuit—  
Measurement of Output Power