

P1 CARRIER TELEPHONE SYSTEM
ADJUSTMENTS AND MAINTENANCE
REPEATERS

Field Modification of
800AA Network Line Board and
386A Apparatus Case

1.00 GENERAL

This section covers two field modifications to be made by telephone company forces. The change on 386A apparatus case is a safety measure to eliminate small gauge straps in the path of protection wiring. Alternations on the 800AA network simplifies maintenance testing by allowing repeater tests to be made on outside terminal block without opening 386A apparatus case repeater mounting.

2.00 MODIFICATION STEPS

2.01 *386A Apparatus Cases:* Modification is made on the inside and outside terminal blocks. Fig. 1 shows changes to be made.

Interior Terminal Block

- Remove apparatus case ground (No. 10 bare wire) from binding post 11 and connect it to binding post 22.

External Terminal Block

- If repeater power is received over the cable, remove local ground from lower ground lug on 386A apparatus case and connect the No. 10 wire from cable sheath to lower ground lug.

2.02 *Repeater Mounting Equipped with 800AA Networks:* The following modifications of the local cable connections between the inside terminal block and the 800AA network line connector are shown in Fig. 2.

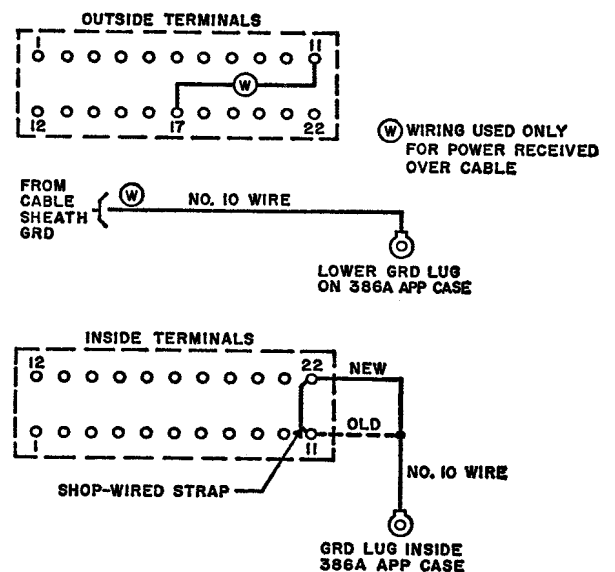


Fig. 1 — Modification of Grounding Arrangement for All P1 Carrier Repeater 386A Apparatus Cases

Internal Terminal Block

1. Remove green wire from BP 5 and red wire from BP 3.
2. Connect both the green and red wire to BP 13.
3. Remove red wire from BP 6 and connect it to BP 12.
4. Remove slate wire from BP 4 and connect it to BP 14.

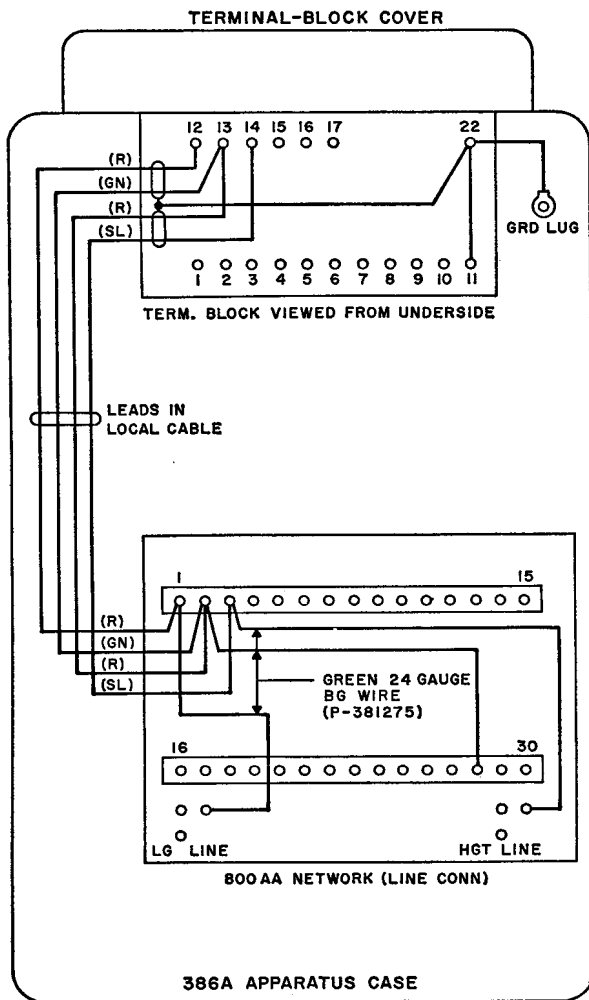


Fig. 2 — Modification of P1 Carrier Wiring in J98707E, List 1 To Permit Repeaters with the 800AA Network To Be Tested at Terminal Block

800AA Network Line Connector

1. Remove green wire from terminal 7 and red wire from terminal 4.
2. Connect both the above green and red wire to terminal 2.
3. Remove red wire from terminal 6 and connect it to terminal 1.
4. Remove slate wire from terminal 5 and connect it to terminal 3.
5. Connect a green 24-gauge BG wire between terminal 1 and the nongrounded LGT LINE test point.
6. Connect a green 24-gauge BG wire between terminal 3 and the nongrounded HGT LINE test point.
7. Connect a green 24-gauge BG wire between terminal 2 and terminal 28.

2.03 The rest of the local cable shall remain the same. The repeater is now conditioned so that the field forces may make trouble location tests on the repeater without opening the 386A apparatus case.