

JACKS AND PLUGS

IDENTIFICATION AND SERVICE

1. GENERAL

1.01 This section provides identification, installation, and service of jacks and plugs for indoor and outdoor use.

1.02 This section is reissued to:

- Change color availability of the 504A and 505A plugs
- Include information on the 478A and 478B plugs
- Include information on the 63B bracket which replaces the 63A
- Rate the 391A and 392A jacks and the 274A plug Manufacture Discontinued (MD).

2. IDENTIFICATION

2.01 Table A lists jacks and mating plugs for telephone set use. The table shows indoor and outdoor location, contacts, and method of mounting.

2.02 For detailed information covering the installation of B weatherproof type jacks, refer to Section 461-220-101 entitled Recreational Vehicle Wiring—Nonpermanent Type.

2.03 Adapters for the D4BU mounting cord are used as follows when it is not desirable to replace existing jacks:

- The 224A adapter (Fig. 12) is used to adapt the D4BU mounting cord to the 541A and 551A jacks (12-pin jack).
- The 225A adapter (Fig. 13) is used to adapt the D4BU mounting cord to 404B (MD), 493A (MD), 497A (MD), 548A, and 549A jacks (4-pin jacks). The 541A, 551A, 548A, and 549A

jacks should not be mixed with 625-type connecting blocks where telephone service is required.

2.04 The B weatherproof type jacks and associated components (Fig. 46 through 57) were designed for use on recreational vehicles and boats; however, they may be used in other outdoor applications where suitable. They will be used as replacements for the KS-8420 (MD) and KS-8421 (MD) type jacks formerly used for this purpose.

(a) *Illustration Index*

Fig. 1—391A Jack (MD)

Fig. 2—392A Jack (MD)

Fig. 3—404B Jack (MD)

Fig. 4—493A Jack (MD)

Fig. 4—497A Jack (MD)

Fig. 5 and 6—541A Jack

Fig. 7—547B Jack

Fig. 8—548A Jack

Fig. 9—549A Jack

Fig. 10—550A Jack

Fig. 11—551A Jack

Fig. 12—224A Adapter

Fig. 13—225A Adapter

Fig. 14—KS-8420 Jack (MD)

Fig. 15, 16, and 17—KS-8421 Jack (MD)

NOTICE

Not for use or disclosure outside the
Bell System except under written agreement

◆ TABLE A ◆

JACKS AND MATING PLUGS – SELECTION

LOCATION	NO. PINS	MOUNTED	JACK	MATING PLUG
Indoor	4	Nonflush	404B(MD) 549A	283B or 504A
		Outlet Box	493A(MD) 497A(MD) 548A 550A	
	8	Outlet Box	391A(MD)	274A(MD)
	8	Nonflush	392A(MD) 551A	274A(MD)
	12			504A
	12	Outlet Box	541A 547A(MD) 547B	504A
Outdoor	3	Includes Housing	KS-8420(MD) KS-8421(MD)	KS-8419(MD)
	3	B Outlet Box	B Weather- proof Type	B Weather- proof Cord
	3	Flush Mounted	B Waterproof	B Weather- proof Cord
	4	KS-16151, List 1 (MD)	493A(MD)	283B or 505A
	4 or 12	KS-19316, List 4*	493A(MD) 541A 548A	283B 504A 505A

*Will also accept a 625F connecting block in modular installations.

Fig. 18—KS-16151,L1 Jack (MD)

Fig. 19—KS-19316,L4 Housing

Fig. 20—KS-19316,L5 Cover

Fig. 21 and 22—KS-19316,L6 Housing

Fig. 23—KS-20202,L1/L2 Housing

Fig. 24—43-Type Brackets

Fig. 25—63A Bracket ◆(MD)◆

Fig. 26—◆63B Bracket◆

Fig. 27—74A Bracket (MD)

Fig. 28—KS-19407,L1 Bracket (MD)

Fig. 29—KS-20502,L1 Bracket (MD)

Fig. 30—KS-20502,L2 Bracket

Fig. 31—16-Type Faceplate

Fig. 32—274A Plug ◆(MD)◆

Fig. 33 and 34—283B Plug (MD)

Fig. 35—D4BP Cord

Fig. 36—S Hook

Fig. 37—423A Plug

Fig. 38—478-Type Plug

Fig. 39 and 40—504A Plug

Fig. 41, 42, 43, and 44—505A Plug

Fig. 45—KS-8419 Plug (MD)

Fig. 46, 47, and 48—B Weatherproof Jack

Fig. 49 and 50—B Waterproof Jack

Fig. 51 and 52—B Weatherproof Female Jack Adapter

Fig. 53—B Outlet Box

Fig. 54—B Mounting Bracket

Fig. 55 and 56—Assembly of B Weatherproof Jack to B Outlet Box and Mounting Bracket

Fig. 57—B Weatherproof Cord

(b) **Ordering Guide**

- Adapter, 224A
- Adapter, 225A
- Adapter, Jack, Female, Weatherproof, B
- Box, Outlet, B
- Bracket, 43B
- Bracket, 63A (MD)
- Bracket, 63B
- Bracket, Mounting, B
- Bracket, KS-20502, List 2
- Cover, KS-19316, List 5 (cast aluminum)
- Cord, Weatherproof, B
- Cordage, Flexible, KS-15153 (3-conductor, 18-gauge) Specify length.†
- Housing, KS-19316, List 4 (cast aluminum)
- Housing, KS-19316, List 5 (cast aluminum)
- Housing, KS-19316, List 6 (cast aluminum)
- Housing, KS-20202, List 1 (cast aluminum)
- Jack, 391A(MD)- (*)
- Jack, 392A(MD)- (*)
- Jack, 541A- (*)
- Jack, 547B- (*)
- Jack, 548A- (*)
- Jack, 549A- (*)
- Jack, 550A- (*)
- Jack, 551A- (*)
- Jack, KS-8420 (MD) (Brass)
- Jack, KS-8421 (MD) (Brass)
- Jack, Male, Weatherproof, B
- Jack, Female, Weatherproof, B
- Jack, Male, Waterproof, B
- Plate, Face, 16A- (*)
- Plate, Face, 16B- (*)
- Plate, Face, 16D- (*)
- Plug, 274A(MD)- (*)
- Plug, 283B(MD)- (*)
- Plug, 423A- (*)
- Plug, 478A- (*)
- Plug, 478B- (*)
- Plug, 504A- (*)

- Plug, 505A- (*)
- Plug, KS-8419 (MD) (Brass only)
- Template, B
- Template, C

*Add color suffix, Table B or C.

†Used with KS-8419 plug.

(c) **Replaceable (Optional) Components**

- Plate, Cover, P-88C949
- Plate, Cover, P-88C950
- Plate, Cover, P-88C954

(d) **Color:** See Table B for color ordering information on jacks. See Table C for color ordering information on plugs.

(e) **Application**

- Fig. 1 through 11 and 14 through 18 show jacks used in indoor and outdoor installations.
- Fig. 12 and 13 show adapters used with plug-ended mounting cords.
- Fig. 19 through 31 show housings, brackets, and faceplates used.
- Fig. 32 through 45 show plugs used with jacks.
- Fig. 46 through 57 show B weatherproof type jacks for outdoor installations.

◆ **TABLE B** ◆

COLOR ORDERING GUIDE – JACKS

JACK AND FACEPLATE	LIGHT OLIVE GRAY (–49)	IVORY (–50)	BROWN (–54)
391A(MD)	●	●	●
392A(MD)	●	●	●
541A	●	●	●
547B	●*	●*	●*
548A	●	●	●
549A	●	●	●
550A	●*	●*	●*
551A	●	●	●
16A	●	●	●
16B	●	●	●
16D	●	●	●

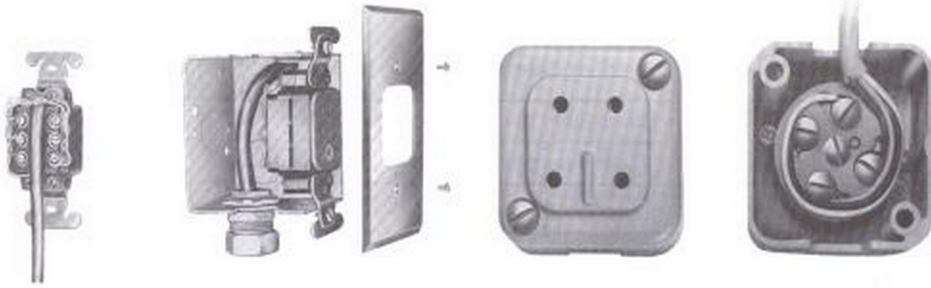
* Additional faceplates in colors corresponding to jack.

◆ TABLE C ◆

COLOR ORDERING GUIDE – PLUGS

COLOR		TYPE PLUG						
		274A (MD)	283B (MD)	423A*	478A	478B	504A	505A
BLACK	— 3		•		•			
LT. OLIVE GRAY	—49	•					•	•
IVORY	—50	•			•	•	•	•
GREEN	—51		•					
RED	—53							
BROWN	—54	•						
YELLOW	—56		•					
WHITE	—58		•		•			
ROSE PINK	—59		•					
LT. BEIGE	—60		•					
LT. GRAY	—61		•					
AQUA BLUE	—62		•					
TURQUOISE	—64		•					

* This plug is inside the 750 telephone set and may be any color as it is made from scrap plastic.



- 8 CONTACTS
- FLUSH WALL MOUNTED
- MATES WITH 274A PLUG
- MOUNTING HARDWARE AND FACEPLATE SUPPLIED

Fig. 1—391A Jack (MD) Unmounted and 391A Jack Mounted in Standard Outlet Box

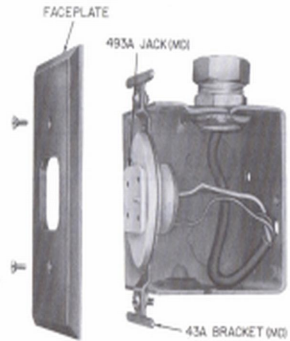


- 8 CONTACTS
- NONFLUSH BASEBOARD MOUNTED
- MATES WITH 274A PLUG
- METAL COVER

Fig. 2—392A Jack (MD)

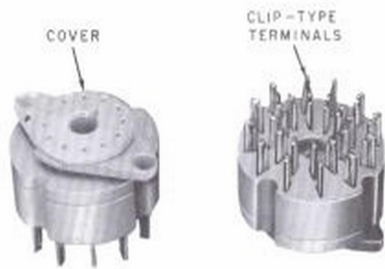
- REPLACED BY 549A JACK
- 4 CONTACTS
- NONFLUSH MOUNTED
- MATES WITH 283B AND 505A PLUGS
- MOUNTING HARDWARE SUPPLIED

Fig. 3—404B Jack (MD)



- REPLACED BY 550A JACK
- 4 CONTACTS
- FLUSH WALL MOUNTED
- MATES WITH 283B AND 505A PLUGS
- MOUNTING HARDWARE SUPPLIED

Fig. 4—497A Jack (MD) Mounted in Standard Electrical Outlet Box



- 12 CONTACTS
- FLUSH MOUNTED USING 63-TYPE OR KS-20502, L2 BRACKET AND 16A FACEPLATE
- MATES WITH 504A PLUG

Fig. 5—541A Jack

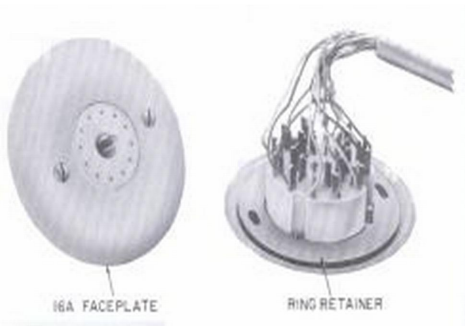
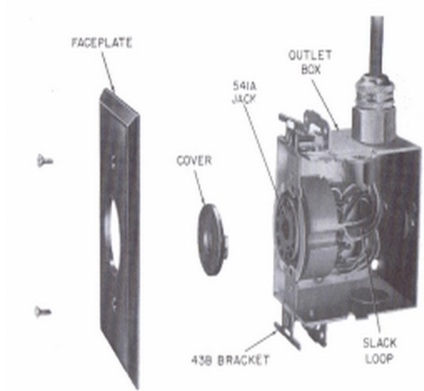
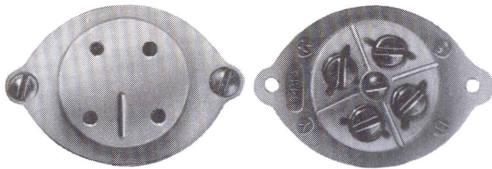


Fig. 6—541A Jack With Faceplate and Terminated 541A Jack Using Retainer



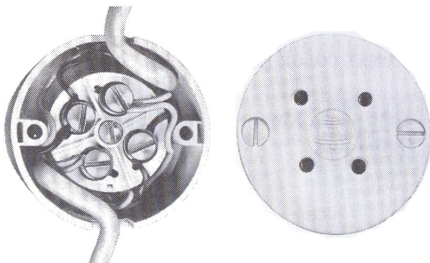
- REPLACES 547A EQUIPPED WITH 74A BRACKET (MD)
- 12 CONTACTS
- FLUSH WALL MOUNTED
- MATES WITH 504A PLUGS
- MOUNTING SCREWS AND FACEPLATE SUPPLIED
- OPTIONAL COLOR FACEPLATES

Fig. 7—547B Jack Mounted in Standard Electrical Outlet Box



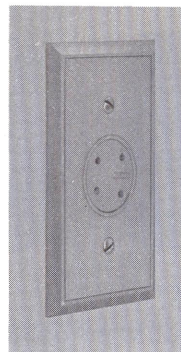
- 4 CONTACTS
- FLUSH MOUNTED:
USING 63-TYPE OR KS-20502,
L2 BRACKET AND 16A FACEPLATE
OR IN STANDARD ELECTRICAL
OUTLET BOX USING 43B BRACKET
OR IN WOODWORK USING
1-1/4 INCH HOLE
- MATES WITH 283B AND 505A
PLUGS
- MOUNTING SCREWS SUPPLIED
- REPLACES 493A JACK

Fig. 8—548A Jack



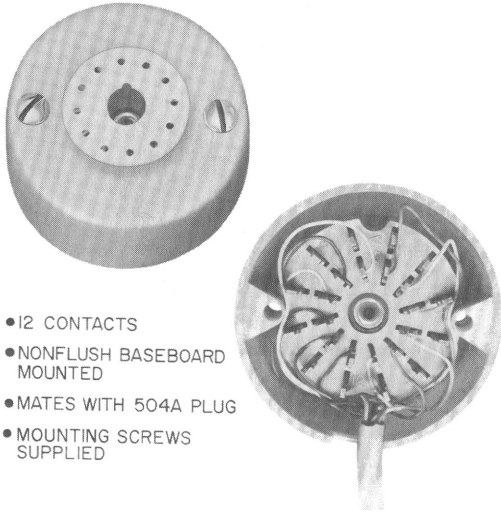
- 4 CONTACTS, DOUBLE TERMINAL
- NONFLUSH BASEBOARD MOUNTED
- MATES WITH 283B AND 505A PLUGS
- MOUNTING SCREWS SUPPLIED

Fig. 9—549A Jack



- 4 CONTACTS
- COMPONENTS:
548A JACK
43B BRACKET
FACEPLATE
- EARLY PRODUCTION SUPPLIED WITH 43A BRACKET
(MD)
- MATES WITH 283B OR 505A PLUG
- 6 MOUNTING SCREWS SUPPLIED

Fig. 10—550A Jack Mounted



- 12 CONTACTS
- NONFLUSH BASEBOARD MOUNTED
- MATES WITH 504A PLUG
- MOUNTING SCREWS SUPPLIED

Fig. 11—551A Jack

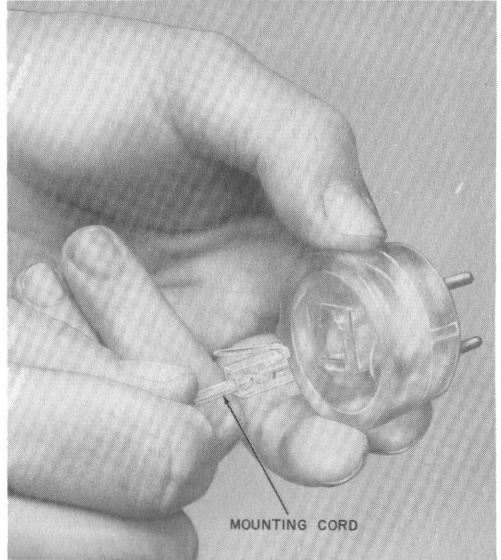


Fig. 13—225A Adapter

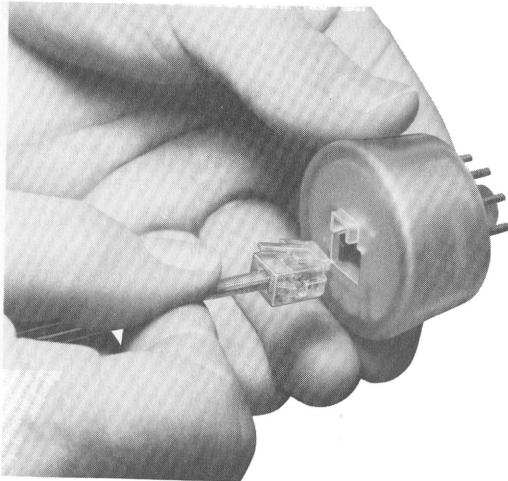
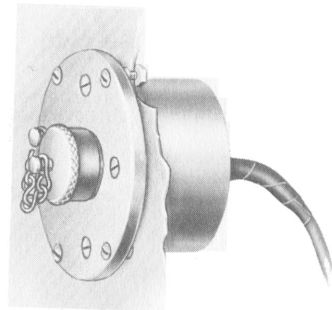
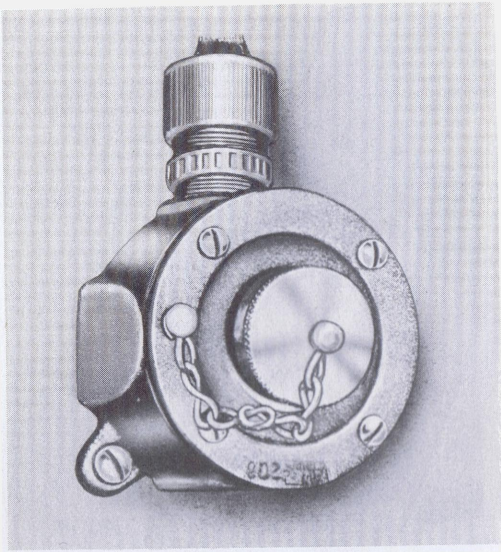


Fig. 12—224A Adapter



- FLUSH MOUNTED JACK
- USES KS8419 PLUG

Fig. 14—KS-8420 Jack (MD) Installed



- SURFACE MOUNTED JACK
- USES KS8419 PLUG

Fig. 15—KS-8421 Jack (MD)

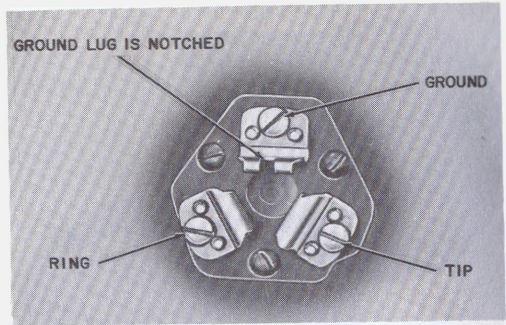
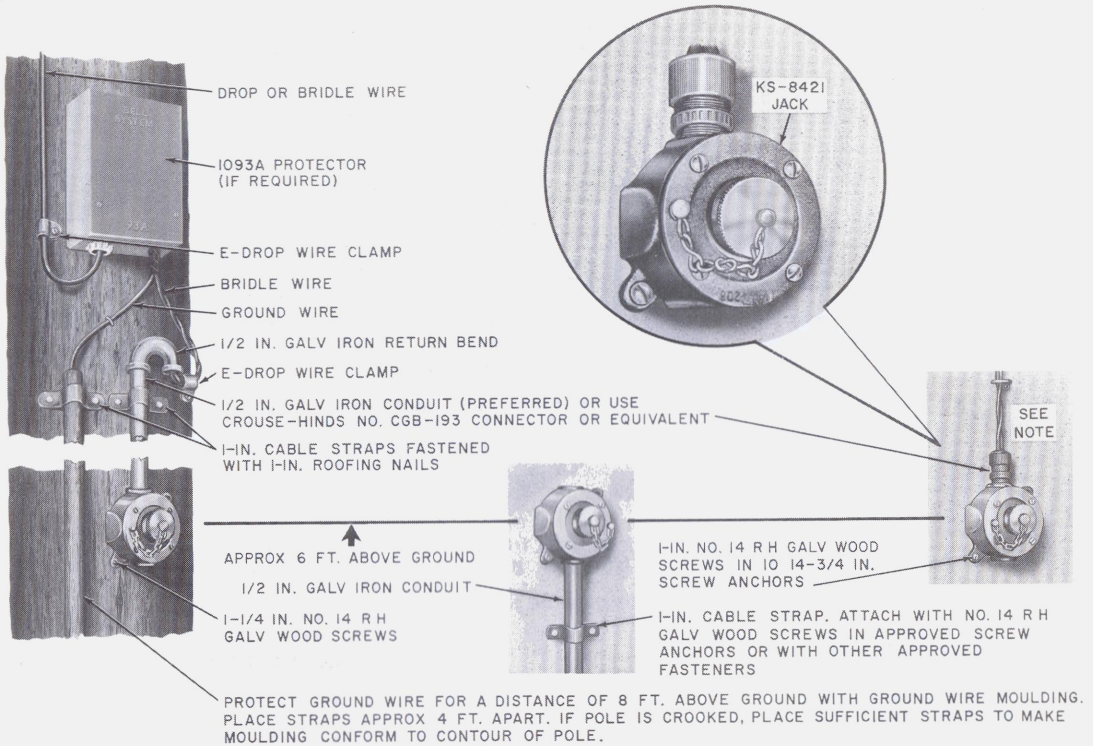


Fig. 16—Connections for KS-8420 and KS-8421 Jacks



NOTE: WHEN TWISTED PAIR OR TRIPLE WIRE IS USED, PLACE A LAYER OF RUBBER TAPE BETWEEN THE CONDUCTORS WHERE THEY ENTER THE RUBBER PLUG OF THE CONNECTOR SO THAT WHEN THE CONNECTOR CAP IS TIGHTENED THE HOLE WILL BE EFFECTIVELY SEALED.

Fig. 17—KS-8421 Jack, Typical Installation

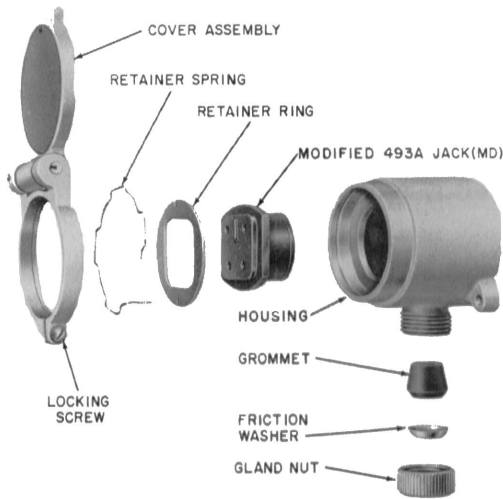
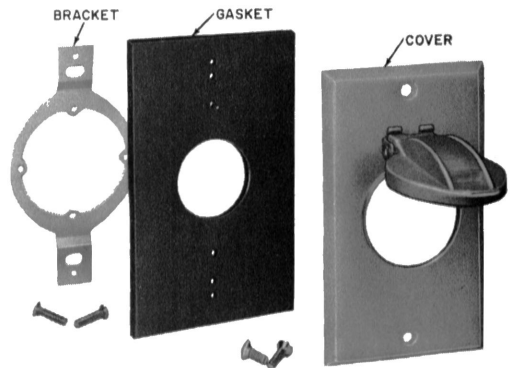


Fig. 18—Assembly of KS-16151, List 1 Jack (MD)



- FOR USE WHERE BOX FOR JACK HAS BEEN INSTALLED OR REPLACEMENT PARTS FOR KS-19316, LIST 4.

- ACCEPTS:
493A JACK (MD),
541A JACK, 548A JACK,
625F CONNECTING BLOCK

- MOUNTS TO STANDARD ELECTRICAL OUTLET BOX

- MOUNTING SCREWS SUPPLIED

Fig. 20—KS-19316, List 5 Cover

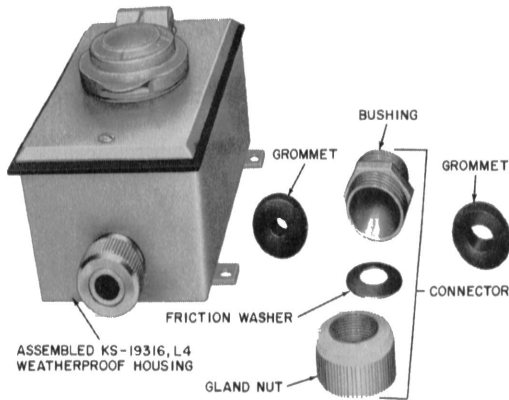
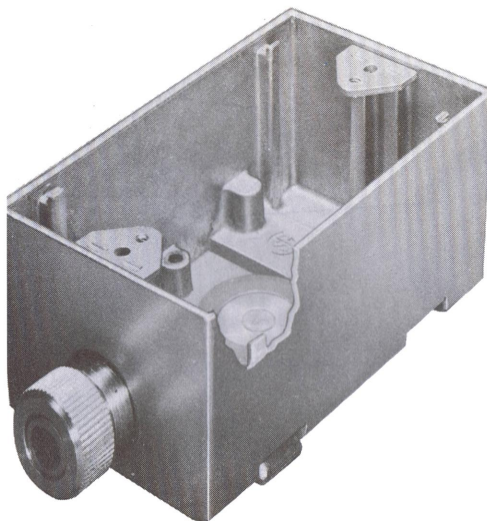


Fig. 19—KS-19316, List 4 Housing and Components
(2 of 3 Grommets Shown)



- FURNISHED WITH LATER PRODUCTIONS OF KS-19316, LIST 6 HOUSING
- WITH REVERSIBLE MOUNTING LUGS

Fig. 21—KS-19316, List 6 Housing Box

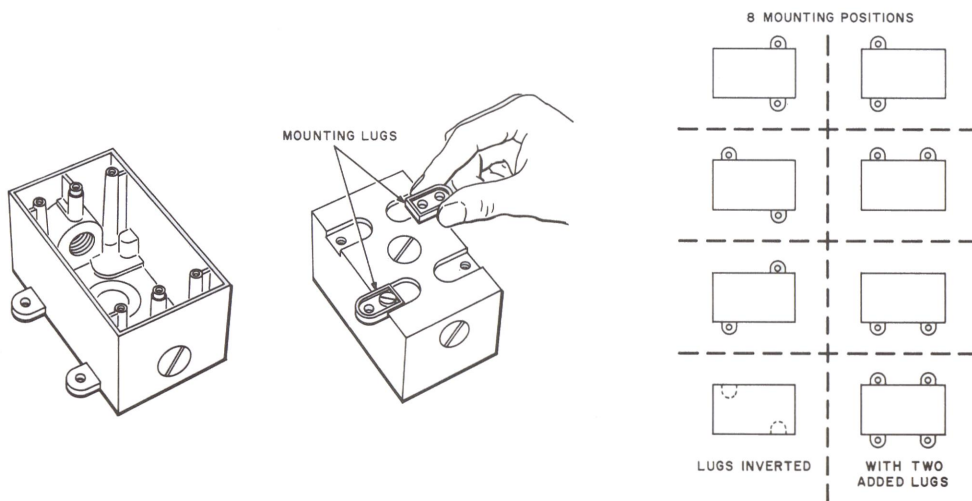


Fig. 22—KS-19316, List 6, Housing Box Showing Reversible Mounting Lugs

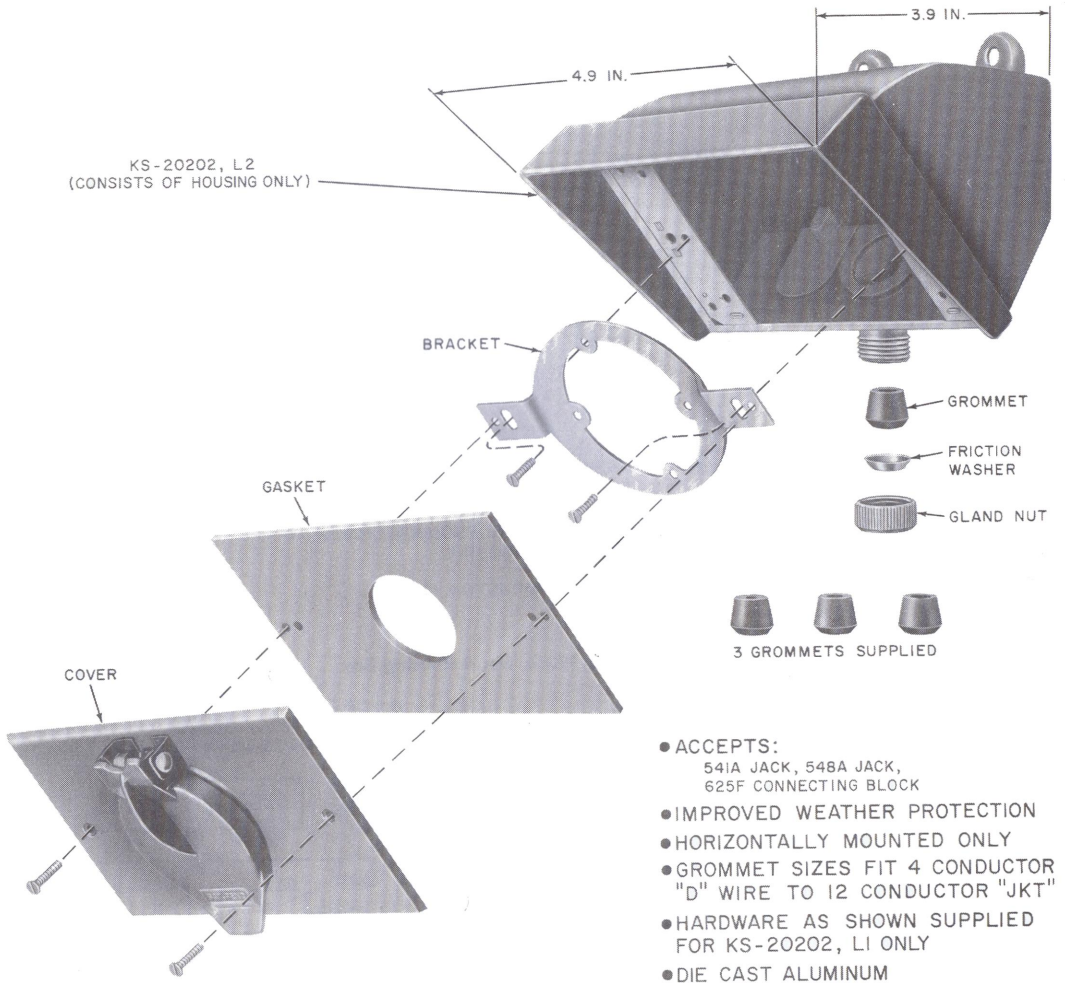
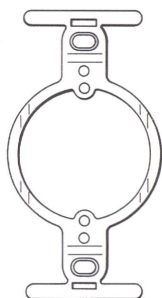


Fig. 23—Assembly of KS-20202, List 1 and 2 Waterproof Housing



43A (MD)



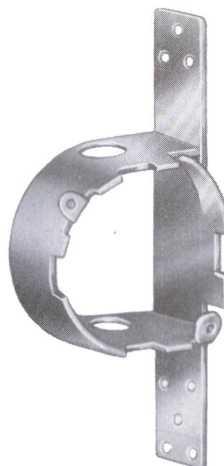
43B

- TO MOUNT JACKS IN STANDARD ELECTRICAL OUTLET BOX
- BREAK-OFF WINGS

- REPLACED BY 43B BRACKET
- TO MOUNT 493A JACK (MD) 548A JACK
- COMPONENT OF 497A JACK (MD) 550A JACK (OLD)

- TO MOUNT 493A JACK (MD) 541A JACK 548A JACK 625F CONN BLOCK REPLACES 43A BRACKET (MD) 74A BRACKET (MD) COMPONENT OF 547B JACK 550A JACK 625B CONN BLOCK

Fig. 24—43-Type Bracket



- USE TO PREWIRE BUILDING DURING CONSTRUCTION
- MOUNTED TO STUDDING
- USE WITH 16-TYPE FACEPLATE
- FOR MOUNTING 493A JACK (MD) 541A JACK 548A JACK 625F JACK

Fig. 25—63A Bracket

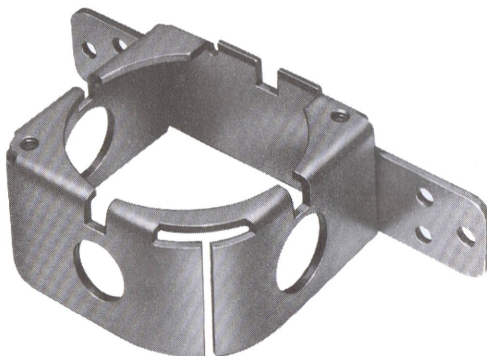
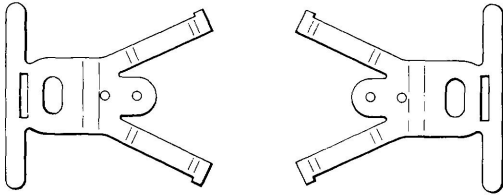
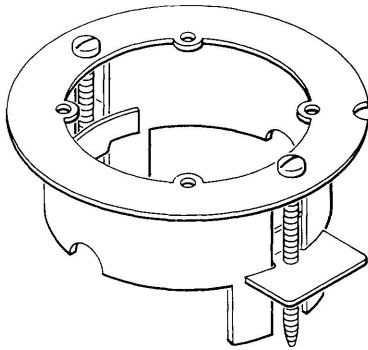


Fig. 26—63B Bracket



- REPLACED BY 43B BRACKET
- COMPONENT OF 547A JACK (MD)

Fig. 27—74A Bracket (MD)



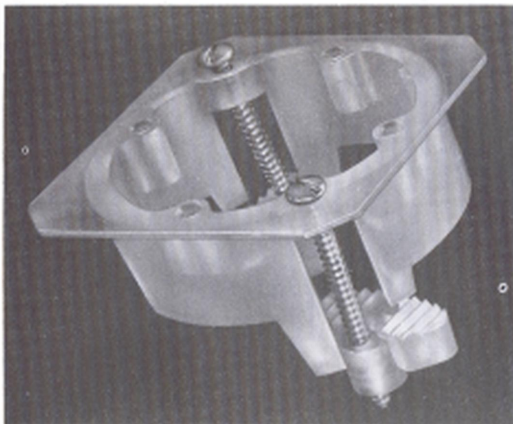
- USE FOR EXISTING WALLS
- WALL HOLE 2-1/4 IN. DIA
- WALL THICKNESS LIMIT 1-1/4 IN

Fig. 28—KS-19407, List 1 Bracket (MD)



- SELF-EXTINGUISHING PLASTIC
- USE FOR EXISTING WALLS
- WALL HOLE 2-1/4 IN. DIAMETER
- WALL THICKNESS LIMIT 1-1/4 IN.
- REPLACES KS-19407, LIST 1 BRACKET (MD)

Fig. 29—KS-20502, List 1 Bracket (MD)



- PLASTIC BRACKET, REPLACEMENT FOR STEEL KS-19407 LI BRACKET AND PLASTIC KS-20502 LI BRACKET.
- USE TO PREWIRE BUILDING DURING CONSTRUCTION.
- FOR MOUNTING 541A, 548A JACK OR 625F CONN. BLOCK AND 16-TYPE FACEPLATE.
- WALL HOLE 2-1/4 IN. DIAMETER.
- WALL THICKNESS LIMIT 1-1/4 IN.

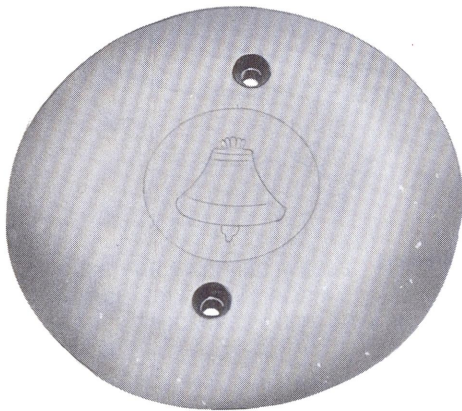
Fig. 30—KS-20502, List 2 Bracket



16A



16B



16D



RING RETAINER

- MOUNTS TO 63A BRACKET USING RING RETAINER
KS-20502, L2 BRACKET (RING NOT REQUIRED)
- MOUNTING SCREWS AND RING RETAINER SUPPLIED

Fig. 31—16-Type Faceplate

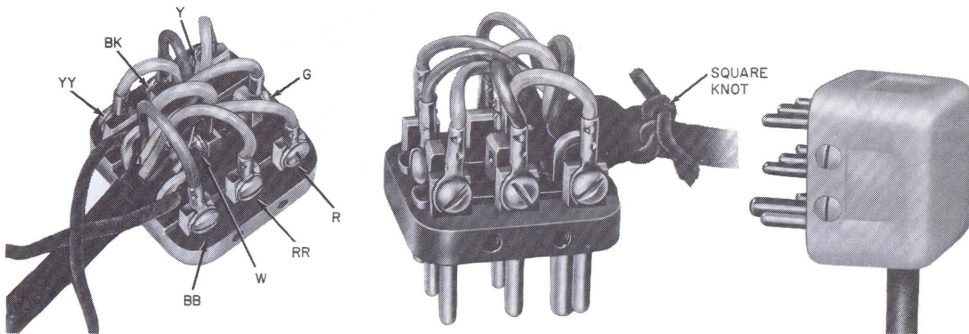


Fig. 32—274A Plug (MD)

3. PLUGS

274A Plug (MD)

3.01 The 274A (MD) (Fig. 32) is a 2-piece, 8-contact plug of molded plastic. It is intended for use with braided fabric-covered mounting cords and is equipped with two eyes to which the braid is secured. It is available in colors as shown in Table C.

283B Plug (MD)

3.02 The 283B (MD) plug (Fig. 33, 34, 35, 36) is a 2-piece, 4-contact plug of molded plastic in colors to match telephone set colors as shown in Table C. The mounting cord is secured by either a wing band inserted into a slot in the cover or an S hook or flat eyelet stay band secured with a self-tapping screw packed with the plug.

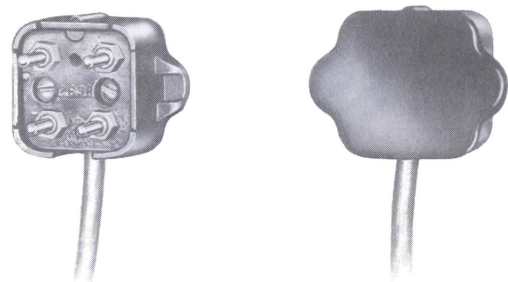


Fig. 33—283B Plug (MD)

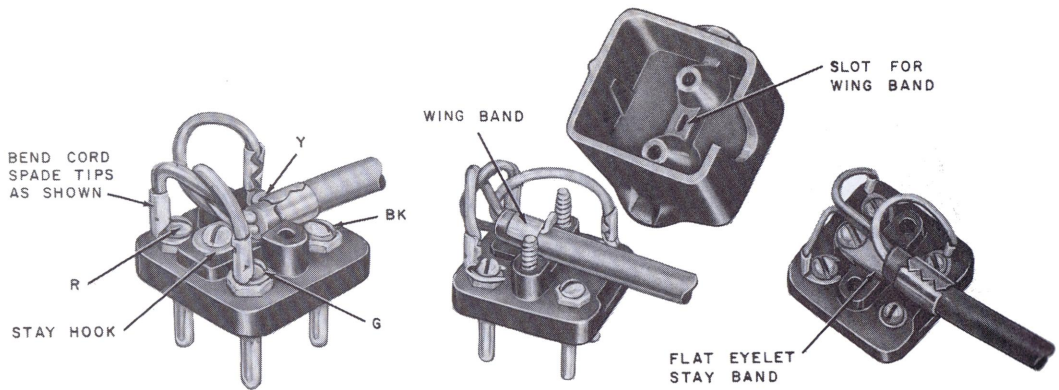


Fig. 34—Terminating Cords Equipped With a Stay Hook, Wing Band, or Flat Eyelet Stay Band on a 283B (MD) Plug

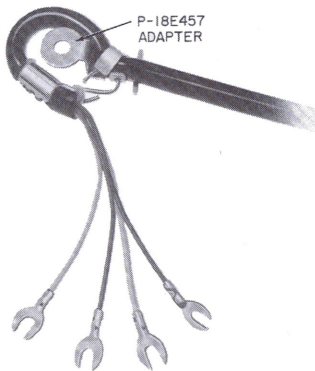


Fig. 35—Early Model D4BP Cord and Adapter

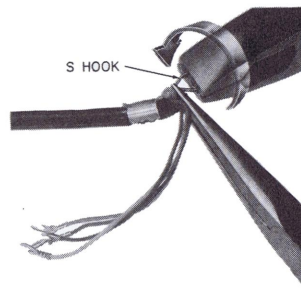


Fig. 36—Bending S Hook

423A Plug

3.03 The 423A plug (Fig. 37) is a 2-piece, 4-contact molded plastic plug for use inside the 750-type panel telephone set. U-shaped projections are molded in the base for securing the mounting cord. Refer to Table C for color availability.



Fig. 37—423A Plug, Front View and Rear View Cover Removed

478A Plug

3.04 The 478A plug (Fig. 38) is a flexible twin-double conductor plug. It contains a 616P miniature modular jack and a 100-ohm 1-watt resistor. It is arranged so each plug finger may be turned 90 degrees in the shell to present a new surface for wear. It is intended to be used with G15- and K1-type headsets in place of the G3CR- and G3L-type handsets.



Fig. 38—478-Type Plug

478B Plug

3.05 The 478B plug is identical to the 478A plug except it is not equipped with the 100-ohm 1-watt resistor.

504A Plug

3.06 The 504A plug is a 12-terminal plug (Fig. 39) consisting of a molded plastic block, cord tip guide, and cap assembly held together by one screw. Each terminal is equipped with a socket-type connector to receive the cord tip. A cord tip guide covers the terminals. The terminals are numbered 1 through 12 and match numbering on the 541A jack. The plug can be inserted into the jack in only one position. It is available in colors shown in Table C. Included with the plug is a metal cord stay designed for use with cords equipped with a wire S hook (Fig. 40). The S hook is removed and discarded. The cord stay, inserted into the vacated band hole, serves as a wing band. Slots are provided on the plug block and shell to hold a wing band or the cord stay. The wing band or cord stay seated in the slot prevents the mounting cord from slipping out of the plug.



Fig. 39—504A Plug

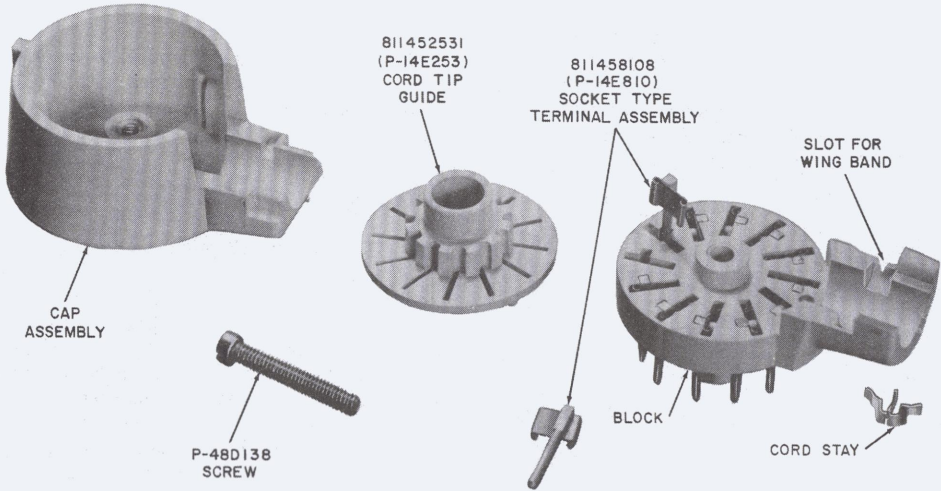


Fig. 40—504A Plug Disassembled

505A Plug

3.07 The 505A plug (Fig. 41, 42, 43, 44) is a 4-contact plug similar to the 504A plug; in addition, however, it has a cord fastener which holds the cord in place while spade tips are being connected. The cord fastener also anchors the mounting cord in the assembled plug. The plug is available in colors shown in Table C. The current model cord tip guide provides a cutout to permit the use of a cord equipped with a flat eyelet stay band.

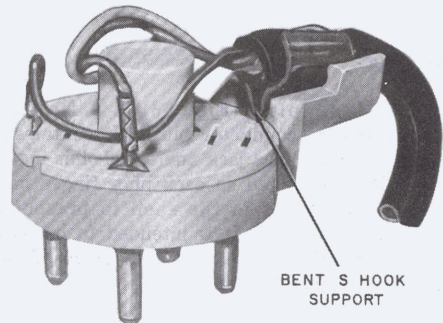


Fig. 42—Early Model D3BU Cord Connected to 505A Plug

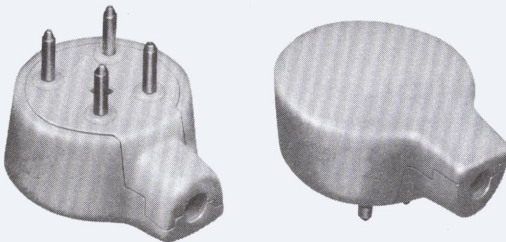


Fig. 41—505A Plug

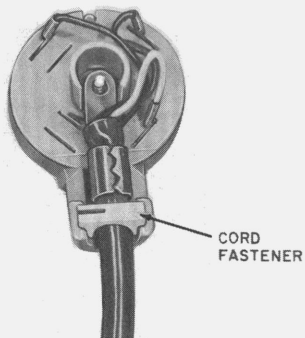


Fig. 43—Current Model D3BU Cord Connected to Current Model 505A Plug

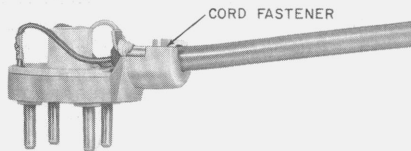
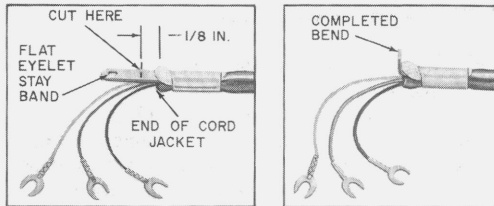


Fig. 44—Connecting Current Model D3BU or D4BP Cord to Early Model 505A Plug

KS-8419 Plug (MD)

3.08 The KS-8419 plug (Fig. 45) is a 3-contact, brass plug intended for connecting telephone

sets installed on boats, trains, or auto trailers to outdoor jacks of PBX or CO lines. This plug is intended for use with KS-8420 jacks.

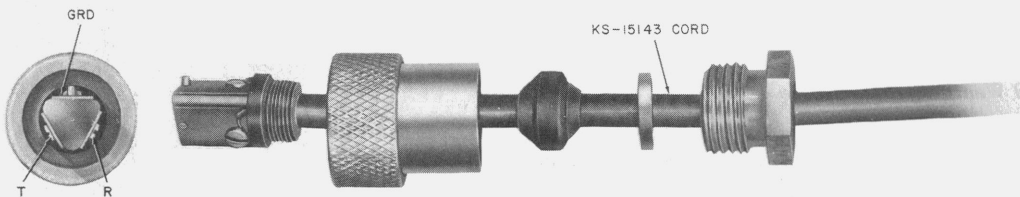


Fig. 45—KS-8419 Plug (MD)

B Weatherproof Male Jack

3.09 The B weatherproof jack (Fig. 46 and 47) mounts in the B outlet box on the recreational vehicle and receives the female plug of the B weatherproof cord to provide telephone service to recreational vehicles. The jack has a spring-loaded hinged cover to make it weatherproof when not in use. Three screw terminals stamped R, T, and GR on rear of jack provide connection to ring, tip, and ground.

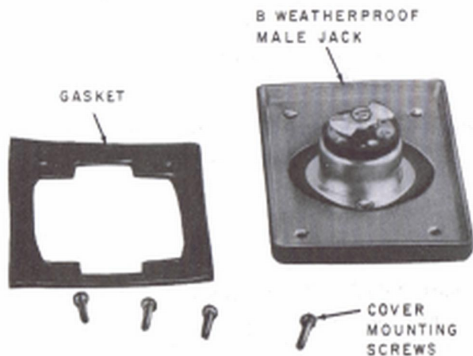


Fig. 46—B Weatherproof Male (or Female) Jack

B Weatherproof Female Jack

3.10 The B weatherproof female jack (Fig. 46 and 48) looks the same as the male jack except for the pins, and mounts in the B outlet box at the trailer service pad or on the dock at the marina. It receives the male plug of the B or C weatherproof cord.

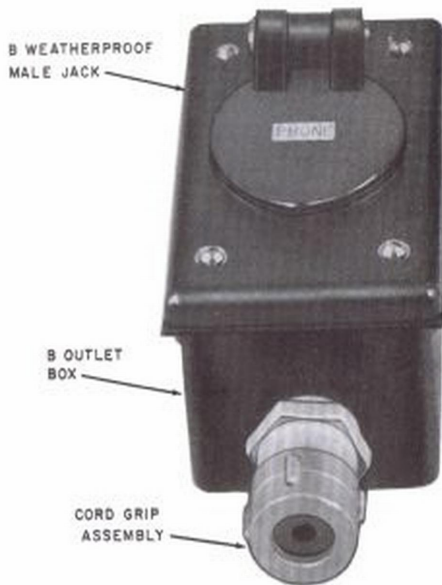


Fig. 47—B Weatherproof Male Jack on B Outlet Box

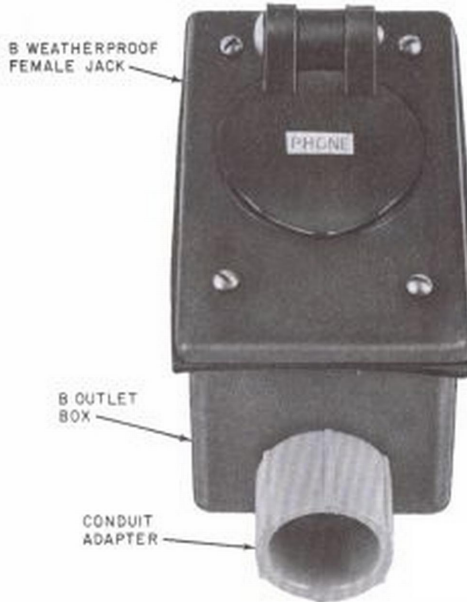


Fig. 48—B Weatherproof Female Jack on B Outlet Box

B Waterproof Male Jack

3.11 The B waterproof male jack (Fig. 49 and 50) is mounted on a boat and receives the female plug of the B weatherproof cord to provide telephone service to boats. It is chrome plated with hinged, threaded cover to make the jack waterproof when not in use. Three screw terminals on the rear of the jack stamped R, T, and GR provide connections.

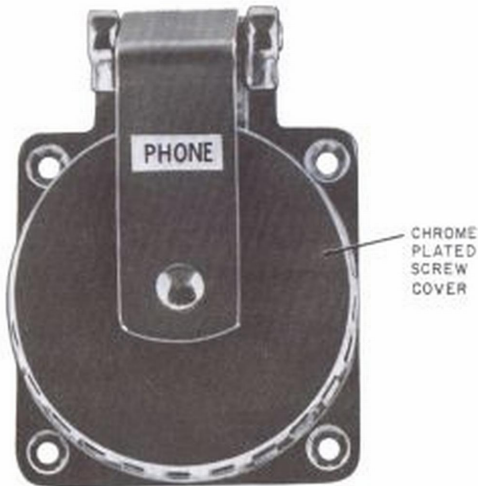


Fig. 49—B Waterproof Male Jack (Front View)

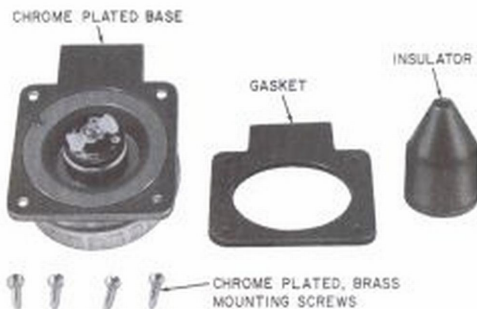


Fig. 50—B Waterproof Male Jack (Rear View, Gasket and Insulator Removed)

B Weatherproof Female Jack Adapter

3.12 The B weatherproof female jack adapter (Fig. 51 and 52) mounts on an existing KS-8421 jack housing after the old jack and front plate are removed. It will receive the male plug of the B or C weatherproof cord to provide telephone service to recreational vehicles or boats. A spring-loaded hinged cover protects the jack from weather when not in use. A rubber boot on the mating connector of the cord provides a weatherproof seal when in use. Three screw terminals on rear of jack stamped T, R, and GR provide connections.

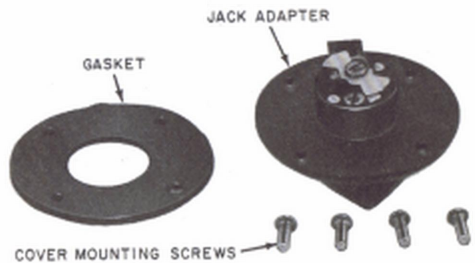


Fig. 51—B Weatherproof Female Jack Adapter

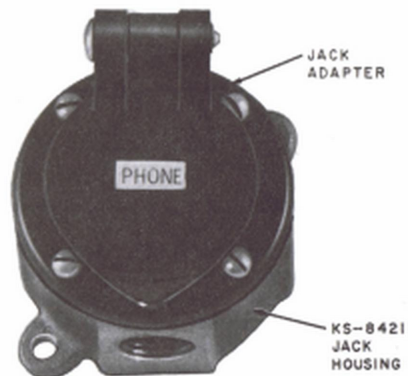


Fig. 52—B Weatherproof Female Jack Adapter Mounted on KS-8421 Jack Housing

B Outlet Box

3.13 The B outlet box (Fig. 53) is a phenolic box for mounting the B weatherproof male or female jacks. It has a threaded knockout entrance at each end for use with an aluminum cord grip assembly or PVC conduit adapter. The cord grip assembly and conduit adapter ship with the outlet box.

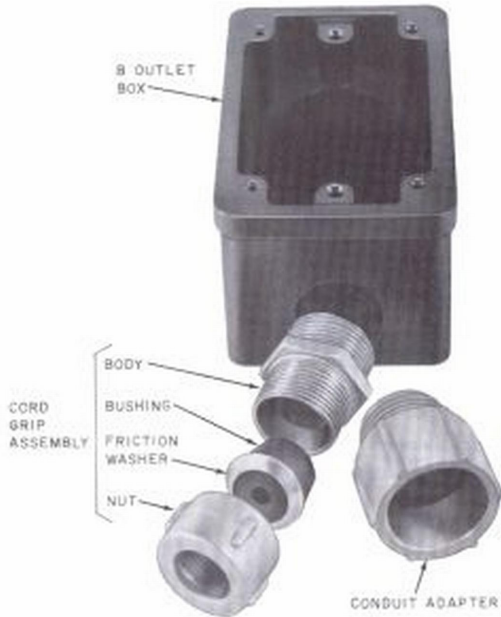


Fig. 53—B Outlet Box (for Mounting B Weatherproof Jacks)

B Mounting Bracket

3.14 The B mounting bracket (Fig. 54 and 55) is used to mount the B outlet box on trailers and other recreational vehicles. It consists of a stainless steel angle-bracket with three clearance holes on one side for attaching the bracket to the trailer hitch and two threaded holes on the other side for mounting the B outlet box. Included are three stainless steel thread-cutting screws for attaching the bracket and two stainless steel screws with spacers for mounting the outlet box on the

bracket. A pigtail lead is included to connect between the center ground terminal of the B weatherproof male jack and one of the mounting screws for the outlet box to provide a ground bond to the vehicle frame.

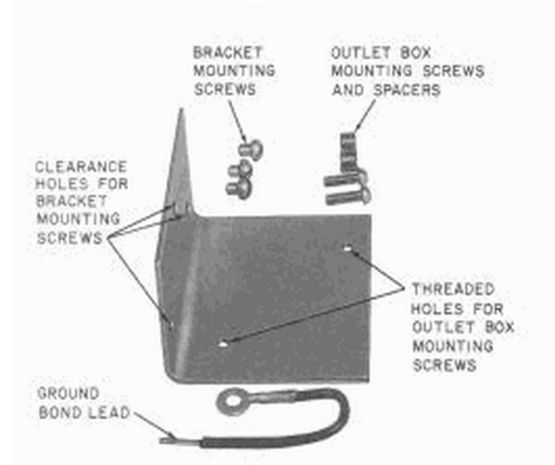


Fig. 54—B Mounting Bracket (for Mounting B Outlet Box)

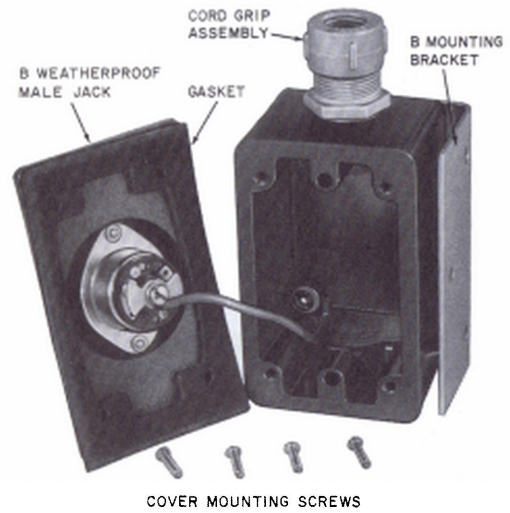


Fig. 55—B Weatherproof Male (or Female) Jack on B Outlet Box Showing Ground Lead Connected to B Mounting Bracket

Assembly of B Weatherproof Jack to Outlet Box

3.15 The B weatherproof male or female jack mounts in the B outlet box on the B mounting bracket as shown in Fig. 56.

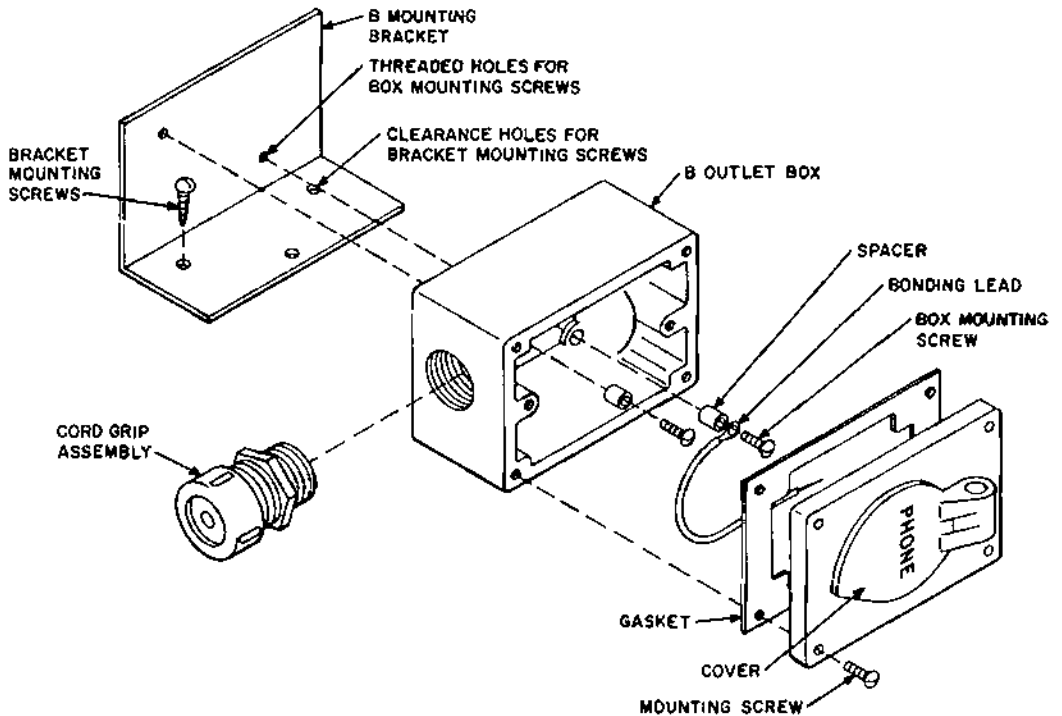


Fig. 56—Assembly of B Weatherproof Male Jack to B Outlet Box and B Mounting Bracket

B Weatherproof Cord

3.16 The B weatherproof cord (Fig. 57) is used to provide connection between the post-mounted jack at the service pad and the jack on the recreational vehicle at the trailer park or between the dock and boat in a marina. It consists of a 50-foot, 16-gauge, 3-wire (ring, tip, and ground) yellow PVC insulated flexible cord, equipped with one male and one female plug. PHONE is stamped on the cord at 1-foot intervals for identification. Rubber boots on the plugs mate with their respective jacks to provide a weatherproof seal.

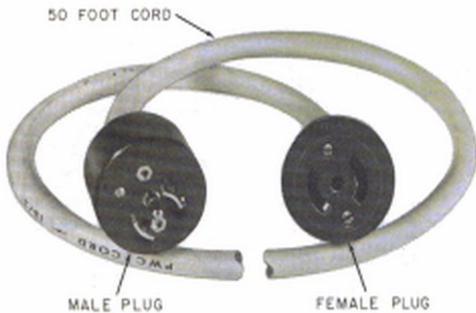


Fig. 57—B Weatherproof Cord

◆ **C Weatherproof Cord**

3.17 The C weatherproof cord is similar in construction to the B weatherproof cord except, that instead of a female plug, one end is equipped with an "S" hook assembly and spade-tipped leads for connection to a telephone set.◆

B Template

3.18 The B template (not shown) is used on the boat to locate the pilot holes for mounting screws and clearance hole for jack body for the B waterproof male jack. It is printed on index card stock and is packed separately from the jack so that mounting holes may be prepared in advance by the boat owner.

C Template

3.19 The C template (not shown) is used on the recreational vehicle to locate pilot holes for the three thread-cutting screws used to mount the B mounting bracket. It is printed on index card stock and packed separately from the B mounting bracket so that mounting holes may be prepared by the vehicle owner prior to bracket installation.

4. JACKS AND JACK MOUNTINGS—INDOOR

4.01 Only one conductor shall be connected to a single clip of a clip-type jack terminal. The loop-through method for terminating IW cable may be used on jacks which have dual clip-type terminals.

4.02 Connect conductors as indicated by the color designators stamped next to the terminals. The red conductor is terminated at the R terminal, etc. Table D shows the connections for 4-conductor jacks.

4.03 Table E shows the connections for 8- and 12-conductor jacks.

TABLE D
CONNECTIONS TO 4-PIN JACKS

INSIDE WIRE	4-PIN JACK
(G) Tip	G
(R) Ring	R
(Y) Ground* and/or Transformer	Y
(B) Transformer	B

*Ground may be omitted if not required for service.

TABLE E
CONNECTIONS TO 8- AND 12-PIN JACKS

INSIDE WIRE QUAD		D AND E INSIDE WIRING CABLE	NO. TERMINALS	
			8	12
			TERMINAL DESIGNATIONS	
1st	Red	BL-W	R	1
	Green	W-BL	G	2
	Yellow	O-W	Y	3
	Black	W-O	BK	4
2nd	Red	G-W	W	5
	Green	W-G	R-R	6
	Yellow	BR-W	Y-Y	7
	Black	W-BR	BK-BK	8
3rd	Red	S-W		9
	Green	W-S		10
	Yellow	BL-R		11
	Black	R-BL		12

Caution: *Test each jack location for correct circuit operation.*

Installation of Nonflush Jacks

392A Jack (MD)

4.04 Install as follows:

- (1) Connect cable conductors to jack.
- (2) Fasten base assembly to mounting surface with 3/4-inch No. 8 PH or FH cadmium plated tapping screws.
- (3) Fasten cover on base assembly with furnished machine screws taking care not to pinch wiring.

404B (MD) and 549A Jacks

4.05 Install as follows:

- (1) Connect station wire to jack and dress wiring inside shell.
- (2) Fasten jack to mounting surface with furnished screws.

551A Jack

4.06 Install as follows:

- (1) Connect station wire or cable conductors to clip terminals of jack using 714-type tool. Conductors may be loop-through terminated.
- (2) Fasten jack to mounting surface with furnished screws.

Installation of Flush-Type Jacks in Standard Electrical Outlet Boxes

391A Jack

4.07 The 391A jack is mounted in standard electrical outlet box as follows:

- (1) Connect station wire to jack and dress.
- (2) Mount jack in outlet box and fasten faceplate on jack using furnished screws.

497A (MD) Jack

4.08 The 497A (MD) jack is mounted in standard electrical outlet box as follows:

- (1) Mount 493A jack on 43A bracket.
- (2) Connect station wire to jack.
- (3) Mount jack equipped bracket in outlet box.
- (4) Fasten faceplate with furnished screws.

547A (MD) or 547B Jack

4.09 Install as follows:

- (1) Attach 541A jack on 74A (MD) bracket or 43B bracket.
- (2) Connect station wire or cable to jack.
- (3) Mount jack and bracket assembly in outlet box.
- (4) Install faceplate. (The cover must be on jack before placing faceplate.)

493A (MD) or 548A Jack

4.10 Install as follows:

- (1) Attach jack to 43-type bracket (Fig. 24).
- (2) Connect station wire or cable to jack.
- (3) Attach bracket to outlet box and install suitable faceplate.

550A Jack

4.11 The 550A jack is assembled in the same manner as the 497A (MD) jack. It consists of a 548A jack, 43A or 43B bracket, faceplate, and mounting screws.

Installation of Flush-Type Jacks in 63-Type or KS-20502 Type Bracket

4.12 The 493A (MD), 541A, and 548A jacks can be mounted on 63-type or KS-20502 type bracket (Fig. 25, 26, and 30) with a 16-type faceplate. Use the same color faceplate as the jack.

4.13 When mounting jacks on the 63-type bracket, the 16-type faceplate ring retainer is required. The 16-type faceplate can be mounted to the KS-20502 type bracket without a ring retainer.

- (a) The 493A (MD) or 548A jack is installed on the 63-type bracket as follows:
- (1) Mount the ring retainer on bracket.
 - (2) Connect station wire to jack.
 - (3) Mount jack on ring retainer.
 - (4) Mount faceplate on ring retainer.
- (b) The 493A (MD) or 548A jack is installed on the KS-20502 type bracket as follows:
- (1) Connect station wire to jack.
 - (2) Mount jack on bracket using screws supplied with bracket.
 - (3) Mount faceplate to bracket using screws supplied with bracket.

KS-20502 Type Bracket

4.14 The KS-20502, List 2 plastic bracket (Fig. 30) is a replacement for the KS-19407, List 1 (MD) steel bracket (Fig. 28) and the KS-20502, List 1 (MD) plastic bracket (Fig. 29). This bracket is intended to mount on 541A or 548A jack and 16-type faceplate.

4.15 It may be installed in a 2-1/4 inch diameter hole with a wall thickness of 1-1/4 inch maximum as follows:

- (1) Fasten bracket in wall opening by first placing the self-aligning clamps behind interwall material and tightening the two screws.
- (2) Bring concealed building wire through opening of bracket and make connections to 541A or 548A jack.
- (3) Position jack and faceplate on bracket so two screw holes opposite each other align.

Fasten jack and faceplate to bracket using two screws furnished with bracket. These are special thread cutting screws. The use of any other screws could overstress the polycarbonate bracket and seriously affect its life.

541A Jack

4.16 The 541A jack is installed in the 63-type bracket as follows:

- (1) Mount ring retainer on 63-type bracket.
- (2) Connect station wire or cable leads to clip terminals of jack.
- (3) Mount jack on ring retainer.
- (4) Place cover on jack.
- (5) Mount faceplate on retainer ring.

4.17 The 541A jack is installed in the KS-20502 type bracket as follows:

- (1) Connect station wire or cable leads to clip terminals of jack.
- (2) Place cover on jack.
- (3) Position faceplate over cover and fasten faceplate and jack to bracket.

Adapters

4.18 Adapters are intended for use where it is not desirable to replace existing jacks.

- (a) The 224A adapter (Fig. 12) is used to adapt the D4BU mounting cord to the 541A and 551A jacks (12-pin jack).
- (b) The 225A adapter (Fig. 13) is used to adapt the D4BU mounting cord to 404B (MD), 493A (MD), 497A (MD), 548A, and 549A jacks (4-pin jack).

4.19 Where portable telephone service is required, 541A, 551A, 548A, and 549A jacks should not be mixed with 625-type connecting blocks.

5. JACKS AND JACK MOUNTINGS—OUTDOOR

5.01 For a 4-conductor jack, connect conductor as indicated by the color designator stamped next to the terminals. The red conductor is terminated at the R terminal, etc.

KS-8420 Jack (MD)

5.02 Install as follows:

- (1) Arrange for a 2-11/16 inch hole at location selected for jack installation.
- (2) Temporarily insert jack in hole and mark fastener holes.
- (3) Remove jack and drill fastener holes.
- (4) Connect wire as shown in Fig. 16.
- (5) Secure jack to mounting surface with four No. 8 PH or FH cadmium plated tapping screws.

KS-8421 Jack (MD)

5.03 Install as follows:

- (1) Arrange drop wire or bridle wire and conduit at location selected for installation (Fig. 17).
- (2) Secure the jack housing to the mounting surface using suitable fasteners.
- (3) Connect wire to terminal block as shown in Fig. 16.
- (4) Mount terminal block to jack housing.
- (5) Install cover on housing.

KS-16151, List 1 (MD) Jack

5.04 Install as follows:

- (1) Arrange drop wire at location selected for installation.
- (2) Hold housing to mounting surface and mark fastener holes.

- (3) Remove housing and drill fastener holes.
- (4) Secure jack to mounting surface with No. 8 PH or FH cadmium plated tapping screws.
- (5) Place gland nut, friction washer, and grommet onto cable.
- (6) Run cable inside housing and adjust grommet and friction washer for watertight fit with gland nut.
- (7) Connect conductors to 493A jack.
- (8) Install 493A jack, retainer ring, retainer spring, and cover assembly in this order.
- (9) Tighten locking screw.

KS-19316, List 4 or List 6 Housing

5.05 Install as follows:

- (1) Arrange cable at location selected for jack installation.
- (2) Use housing box with positioned mounting lugs to mark lug mounting holes (Fig. 22).
- (3) Drill holes and secure housing box to mounting surface with No. 8 PH or FH cadmium plated tapping screws.
- (4) Place gland nut, friction washer, and grommet on cable.
- (5) Run cable inside housing and adjust grommet and friction washer for watertight fit with gland nut.
- (6) Attach bracket to housing box.
- (7) Connect wire or cable to jack.
- (8) Install jack to bracket. The cover supplied for the 541A jack is not required and may be discarded.
- (9) Install gasket and cover for watertight fit.

KS-20202, List 1 Housing (Fig. 23)

5.06 Install as follows:

- (1) Arrange cable or drop wire at location selected for installation.
- (2) Hold housing to mounting surface and mark fastener holes.
- (3) Remove housing and drill fastener holes.
- (4) Secure housing to mounting surface with No. 8 PH or FH cadmium plated tapping screws.
- (5) Place gland nut, friction washer and grommet onto cable or drop wire.
- (6) Run cable or drop wire inside housing and adjust grommet and friction washer for watertight fit with gland nut.
- (7) Install bracket and arrange cable or drop wire through center of bracket.
- (8) Connect conductors to selected jack.
- (9) Install jack to bracket. The cover supplied for the 541A jack is not required and may be discarded.
- (10) Install gasket and cover.

B Weatherproof Jack Adapter

5.07 Mount the B weatherproof female jack adapter (Fig. 51 and 52) on an existing KS-8421 jack housing after the old jack and cover plate are removed. Use the four mounting screws and cover gasket provided. Three screw terminals stamped T, R, and GR provide for connection to tip, ring, and ground. Wire tip and ring of jack to the tip and ring terminals of the protector. Connect a 14-gauge ground wire from ground terminal of protector to center ground terminal of jack.

◆**Note:** Do not bond ground wire to boat ground as undesirable electrolysis reaction may develop.◆

B Weatherproof Jacks

5.08 The B weatherproof male or female jacks (Fig. 46, 47, and 48) are mounted in the B outlet box using the four mounting screws and cover gasket provided. Three screw terminals stamped T, R, and GR are provided for connections. A cord grip assembly and conduit adapter are provided with the B outlet box for use with service wire or plastic conduit.

(a) Mount the B weatherproof female jack and B outlet box close to the protector on the post at the utility pad and provide a ringer simulator if required. Wire tip and ring of jack to tip and ring terminals of protector. Connect a 14-gauge ground wire from ground terminal of protector to center ground terminal jack. (See Note in 5.07.)

(b) The B mounting bracket is used to mount the B weatherproof male jack and B outlet box on the recreational vehicle using the mounting holes provided by the customer. The customer will use the C template to drill pilot holes for the B mounting bracket on top of the trailer hitch or vehicle bumper. The cord grip assembly may be attached to either end of the B outlet box depending on existing space. Wire tip and ring of jack to tip and ring terminals of connecting block in the vehicle. The ground lead provided with the B mounting bracket must be connected from center ground terminal of the jack to a mounting screw as shown in Fig. 55 and 56 to provide a ground bond to vehicle chassis.

B Weatherproof Cord

5.09 The B weatherproof cord (Fig. 57) consists of a 50-foot, 16-gauge, 3-wire (tip, ring, and ground) yellow PVC insulated flexible cord, with PHONE stamped on the cord at 1-foot intervals for identification. The cord is terminated on one end with a male plug which engages the B weatherproof female jack at the service pad or dock. The other end is terminated in a female plug which engages the male jack on the recreational vehicle or boat. Rubber boots on the plug mate with their respective jacks to provide weather protection.

◆C Weatherproof Cord

5.10 The C weatherproof cord is constructed the same as the B weatherproof cord except that the female plug is replaced with a stay hook and spade-tipped conductors for termination in a telephone set.◆

B Waterproof Male Jack

5.11 The B waterproof male jack (Fig. 49 and 50) is mounted on a boat using mounting holes provided by the customer. The customer will use the B template to locate the pilot holes for mounting screws and clearance hole for the jack body for the B waterproof male jack. The jack is chrome plated with a hinged, threaded cover which makes the jack waterproof when not in use. Three screw terminals, stamped T, R, and GR, on the rear of the jack provide connection for ring, tip, and ground. Wire the tip and ring of the jack to tip and ring terminals of connecting block on boat.

Note: Do not bond ground wire to boat ground as undesirable electrolysis reaction may develop. Insulate and store ground conductor. Refer to Section 461-220-101 for routing wiring in boats.

6. PLUGS-INDOOR AND OUTDOOR (Table F)**504A Plug**

6.01 Included with the 504A plug (Fig. 39 and 40) is a metal cord stay designed for use

with cords equipped with a wire S hook. The S hook is removed and discarded. The cord stay, inserted into the vacated band hole, serves as a wing band.

6.02 Assemble the 504A plug as follows:

- (1) Place cord tip guide on block.
- (2) Insert mounting cord tips into socket-type terminals of plug.

Note: For mounting cord conductor connections, refer to connection section for the telephone set.

- (3) Dress conductors so they will lie within the cap of plug.
- (4) Place wing band or cord stay of mounting cord in its proper slot.
- (5) Place cap on plug so cord and wing band or cord stay will seat properly. Be sure no leads are pinched.
- (6) Snap two sections of neck together.
- (7) Insert screw and tighten.

505A Plug

6.03 The 505A plug is a 4-contact plug similar to the 504A plug; in addition, however, it has a cord fastener which holds the cord in place while spade tips are being connected. The cord fastener also anchors the mounting cord in the assembled plug.

→TABLE F←

PLUGS

TYPE	NO. OF CONTACTS	FIG. NO.	ASSOCIATED JACKS
KS-8419(MD)	3	30	KS-8420(MD) KS-8421(MD)
505A	4	22, 23, 24	404B(MD), 493A(MD), 548A, 497A(MD), 549A, 550A, KS-16151, L1(MD)
283B(MD)		27	
423A			
274A(MD)	8	25	391A(MD), 392A(MD)
504A	12	21	541A, 547A(MD), 551A, 547B
478A, 478B	2	38	476A, 517A

6.04 Connect current model D3BU or D4BP mounting cord to a current model 505A plug as follows:

- (1) Position flat eyelet stay band in the cord channel so that the screw hole is over the screw hole in the center of the cord tip guide (see Fig. 43).
- (2) Fit cord fastener into groove in the cord channel and press until it snaps into position.
- (3) Connect the mounting cord space tips in the socket-type terminals.
- (4) Insert screw through hole in block and stay band.
- (5) Dress conductors so they will not obstruct the center of the cord tip guide.
- (6) Position cap assembly on cord tip guide and block; check that no cord leads are pinched and tighten screw.

6.05 Connect current model D3BU or D4BP mounting cord to an early model 505A plug as follows:

- (1) Cut flat eyelet stay band approximately 1/8 inch from end of cord jacket using 8-inch sidecutters, or equivalent (Fig. 44).

Caution: *When cutting the stay band, take precautions to prevent the severed end from striking personnel or apparatus.*

- (2) Make a right angle bend in the remaining length of stay band in the direction away from the cord conductors.
- (3) Position the mounting cord into the cord channel of the block, as shown in Fig. 44.
- (4) Fit the cord fastener into the groove in the cord channel and press until it snaps into position.
- (5) Connect the mounting cord spade tips in the socket-type terminals.

- (6) Dress the conductors so they will not obstruct the center of the cord tip guide.

- (7) Position the cap assembly on the block so that the right angle bend of the stay band is supported by the inner surface of the cap assembly; check that no cord leads are pinched.

- (8) Insert cover screw and tighten.

6.06 Connect early model D3BU or D4BP mounting cord to current or early model 505A plug as follows:

- (1) Remove P-18E457 adapter and S hook from the cord.

- (2) Make a right angle bend in the S hook support of the stay band in the direction away from the cord conductors (Fig. 36 and 42).

- (3) Position the mounting cord in the cord channel so the S hook support is seated in the slot adjacent to the cord tip guide (Fig. 42).

- (4) Fit the cord fastener into the groove in the cord channel and press until it snaps into position.

- (5) Connect the mounting cord spade tips in the socket-type terminals.

- (6) Dress cord conductors so they will not obstruct the center of the cord tip guide.

- (7) Position cap assembly on cord tip guide and block; check that leads are not pinched.

- (8) Insert cover screw and tighten.

6.07 Connect 505A plug to a cord equipped with a wing band as follows:

- (1) Fit the cord tip guide into place on the top of the block.

- (2) Position the mounting cord into the cord channel of the block so that the cord wing band fits into the wing band slot. One ear of the wing band will extend into the wing band slot of the cord fastener.

- (3) Fit the cord fastener into the groove in the cord channel and press until it snaps into position.
- (4) Arrange the mounting cord spade tips in the socket-type terminals.
- (5) Adjust the conductors so that they will not obstruct the center of the cord tip guide.

274A Plug (MD)

6.08 The 274A plug (Fig. 32) is a 2-piece, 8-contact plug of molded plastic intended for use with braided fabric covered mounting cords.

6.09 Connect 274A plug as follows:

- (1) Connect as indicated by color designations stamped adjacent to terminals.
- (2) Connect cord spade tips as shown in Fig. 32.
- (3) Tie mounting cord securely.
- (4) Place shell on base and tighten screws.

423A Plug

6.10 Connect the 423A plug as follows:

- (1) Connect as indicated by color designations stamped adjacent to terminals.
- (2) Lay jacketed portion of cord in the two molded U-shaped projections.
- (3) Place cover on base and tighten screw.

283B (MD) Plug

6.11 Connect 283B (MD) plugs as follows:

(a) **Using Current Model D3BU or D4BP Cord:**

- (1) Make a slight bend in the flat eyelet stay band in the direction away from the cord conductors.
- (2) With cord conductors up, insert 996589016 (R.M-658901) self-tapping screw with

802841395 (P-284139) flat washer (shipped with 283B [MD] plug) through hole in stay band. Using farthest hole opposite cord entrance, anchor cord securely (Fig. 34).

- (3) Connect as indicated by color designations stamped adjacent to terminals.
- (4) Seat base of plug in its cover; check that no cord leads are pinched. Tighten cover screws.

(b) **Using Early Model D3BU or D4BP Cord:**

- (1) Remove 811854579 (P-18E457) adapter from cord (Fig. 35).
- (2) Using long nose pliers and 8-inch sidecutters or equivalent (Fig. 36), turn large eye of S hook clockwise until positioned 90 degrees away from small eye of S hook.
- (3) With small eye of S hook up, insert 996589016 (R.M-658901) self-tapping screw with 802841395 (P-284139) flat washer through large eye of S hook. Using farthest hole opposite cord entrance, anchor cord securely.

(4) Lay the cord conductors out straight from the cord. Pass the green conductor clockwise under the cord stay and terminate it on the GN punching. Pass the red conductor counterclockwise under the cord stay and terminate it on the R punching. Pass the yellow conductor clockwise under and then over the top of the cord stay; terminate on the Y punching. If the black conductor is used, pass it counterclockwise under and then over the cord stay; terminate it on the BK punching.

(5) Bend cord spade tips and dress red and green conductors so they lie outside of the mounting screw hole guides.

(6) Seat base of plug in cover before tightening screws to prevent pinching of conductors.

(c) *Using Cord Equipped With Wing Band:*

- (1) Connect as indicated by color designations stamped adjacent to terminals (Fig. 33).
- (2) Bend cord spade tips as shown in Fig. 33.
- (3) Place one edge of wing band in the larger (shallow drilled) of the two holes in the base.
- (4) Place cover so cord and wing band will seat properly in their slots.
- (5) Seat base of plug in its cover before tightening screws to prevent pinching of cord conductors.

(d) *Using Cord Equipped With Stay Hook:*

- (1) Insert 996589016 (RM-658901) self-tapping screw through 802841395 (P-284139) flat washer. Using farthest hole opposite cord entrance, start screw into hole.
- (2) With cord conductors up, slide cutout in stay hook under flat washer and tighten screw.
- (3) Connect as indicated by color designations stamped adjacent to terminals (Fig. 34).
- (4) Bend cord spade tips up as shown in Fig. 34.
- (5) Seat base of plug in its cover; check that no leads are pinched. Tighten cover screws.

KS-8419 Plug (MD)

6.12 The KS-8419 plug (Fig. 45) is a 3-contact, brass plug intended for connecting telephone sets installed on boats, trains, or auto trailers to outdoor jacks of PBX or CO lines. This plug is intended for use with KS-8420 or KS-8421 jacks.

6.13 Connect the KS-8419 (MD) plug as follows:

- (1) Plug components are assembled to KS-15143 3-conductor, 18-gauge cord, or equivalent (Fig. 45).
- (2) In KS-15143 cord, or equivalent, the black conductor should be used for the ring (negative) side of the line. The white conductor should be used for tip (positive) side of the line. The green conductor is the ground conductor.
- (3) One terminal of the KS-8419 plug has a small lug protruding from the contact. This lug and the notched terminal on KS-8420 and KS-8421 jacks are provided to ensure that the plug is inserted in one position only.
- (4) When ground is necessary for service, the green conductor should be terminated on the notched terminal.

478A and 478B Plug

6.14 The 478A or 478B plug is used to connect a modular plug-ended cord to a jack-equipped console or CALL DIRECTOR®.

JACKS AND PLUGS IDENTIFICATION AND SERVICE

1. GENERAL

1.001 This addendum supplements Section 461-630-100, Issue 9. Place this pink sheet ahead of page 1 of the section.

1.002 This addendum is issued to:

- Provide information on the 267A adapter
- Add the C weatherproof cord to the Ordering Guide.

2. CHANGES TO SECTION

2.001 On page 1, add the following figure numbers and titles to paragraph 2.04(a) **Illustration Index**:

Fig. 13.1—267A Adapter

Fig. 13.2—Schematic Diagram, 267A Adapter

2.002 Add Fig. 13.1 and 13.2.

2.003 On page 3, add the following items to the **Ordering Guide** in the proper alphabetical order.

- Adapter, 267A
- Cord, Weatherproof, C

2.004 On page 4, change the second bullet under **Application** to read as follows:

- Fig. 12, 13, and 13.1 show adapters used with plug-ended mounting cords.

2.005 On page 31, add the following subparagraph after 4.18(b):

- (c) The 267A adapter (Fig. 13.1) consists of two modular line cord type jacks connected

to a single modular line cord type plug. It can be mounted piggy-back on a 224A or 225A adapter or plugged directly into an existing modular jack.

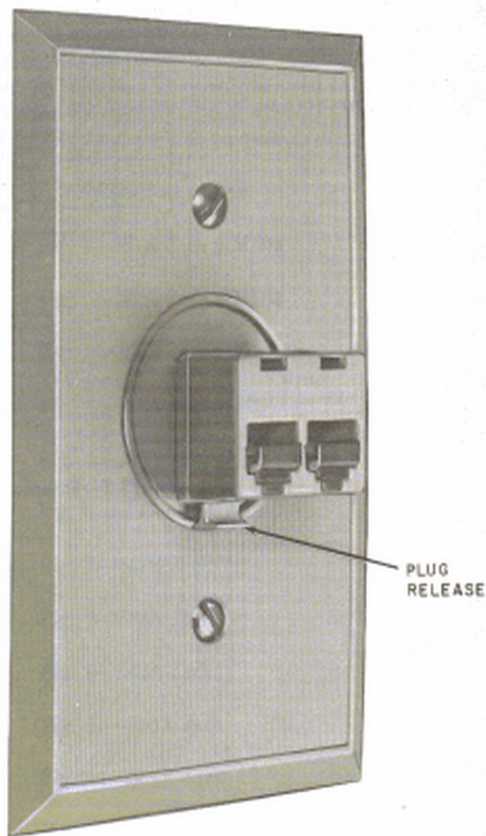


Fig. 13.1—267A Adapter (Plugged Into 625B Connecting Block)

NOTICE

Not for use or disclosure outside the
Bell System except under written agreement

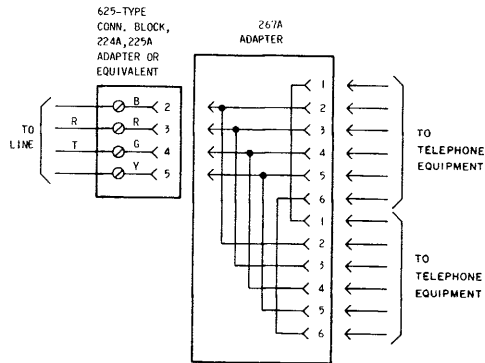


Fig. 13.2—Schematic Diagram, 267A Adapter