

MRV-1521/MRV-1522

1. GENERAL

- 1.01 This Section is a cover sheet for the Keptel MRV-1521/MRV-1522 Telephone Network Interface. This section is copyrighted and reproduced with the permission of Keptel.
- 1.02 Whenever this section is reissued, the reason(s) for reissue will be listed in this paragraph.
- 1.03 The MRV series of network interfaces is designed for installation at marinas or recreational vehicle parks. The interface is equipped with one or two RJ-15 jacks. The jack is a three position weatherpost used for single line telephone service. The interface is weather resistant and may be mounted on various supports to include metal poles.
- 1.04 If corrections are required in the attached document, use Form-3973 as described in Section 000-010-015.
- 1.05 If manufacturing and/or design problems are encountered, refer to Section SW 010-522-906 for procedures on filing an Engineering Complaint.

2. ORDERING PROCEDURES

- 2.01 The Keptel MRV closures can be ordered from the Southwestern Inventory Management System (SWIMS) using Form SW-6528.
- 2.02 To order additional copies of this practice, use ATTT 633-501-800SW as the section number.

PROPRIETARY

Not for use or disclosure outside Southwestern Bell Telephone Company except under written agreement.

**MRV-1521/MRV-1522
TELEPHONE
NETWORK INTERFACE**

**—
INSTALLATION AND MAINTENANCE
PRACTICES
FOR
SOUTHWESTERN BELL TELEPHONE**



56 Park Road, Tinton Falls, New Jersey 07724
Tel: (800) 735-3783 In NJ: (908) 389-8800 Fax: (908) 389-4595

MRV-1521/MRV-1522

Contents

General	1-1
Description	1-1
Revisions	1-1
Figure 1-1: Physical Specifications	1-1
Figure 1-2: MRV-1521 Front View	1-2
Figure 1-3: MRV-1522 Front View	1-2
Figure 1-4: MRV-1521 Details and Features	1-3
Figure 1-5: MRV-1522 Details and Features	1-3
Installation	2-1
Wall Mounting	2-1
Figure 2-1: Punching out knock-out holes	2-1
Pole Mounting	2-2
Figure 2-2: Installing Pole Mount Bracket	2-2
Figure 2-3: Threading Lashing Strap Through Bracket	2-3
Connecting Conduit/Wiring	2-3
Figure 2-4: MRV-1521 Wiring Block Diagram	2-4
Figure 2-5: MRV-1522 Wiring Block Diagram	2-4
Maintenance	3-1
Customer Padlock Removal	3-1
Figure 3-1: Removing Customer Supplied Padlock	3-1
Options	4-1

MRV-1521/MRV-1522

General

Description

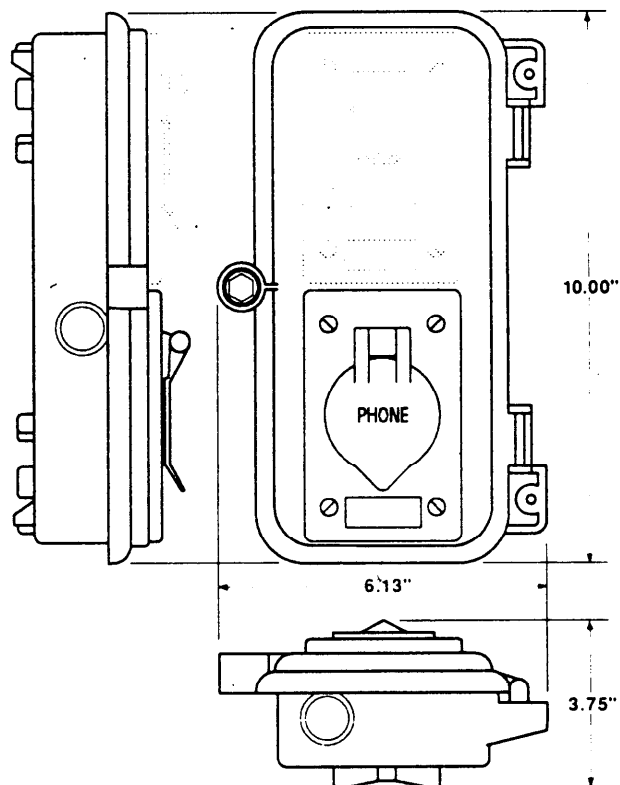
- The MRV-1521 Telephone Network Interface is a single-line enclosure designed to be either pole or wall mounted in a Marina or RV Park situation. The MRV-1522 Telephone Network Interface is a two-line enclosure.
- The MRV-1521/1522 Telephone Network Interface(s) will house AT&T 125, Tii 126, Joslyn 125, or Tii 355/356 style station protectors.

Revisions

Whenever this document is revised, the reasons for revision will be listed in this section.

Figure 1-1

Physical Specifications.



(continued on page 1-2)

MRV-1521/MRV-1522

General (continued from page 1-1)

Figure 1-2

MRV-1521 Front View.

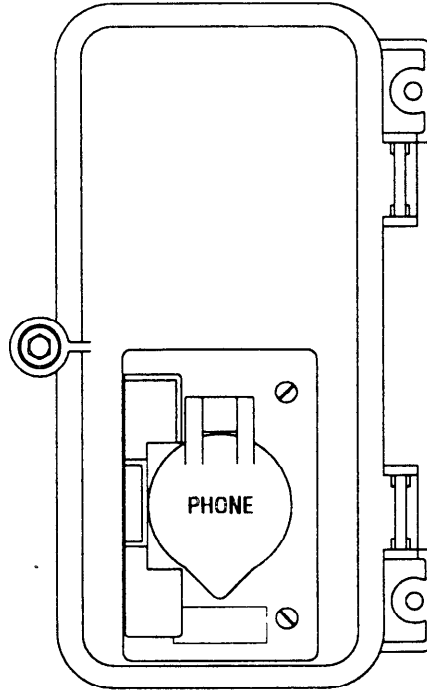
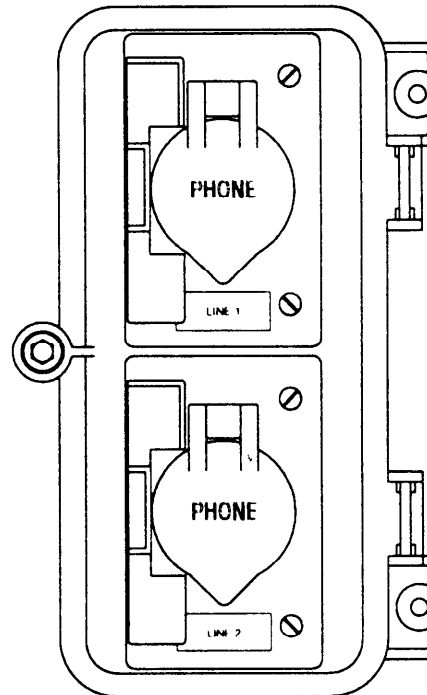


Figure 1-3

MRV-1522 Front View.



MRV-1521/MRV-1522

General (continued from page 1-2)

Figure 1-4

MRV-1521 Details and Features.

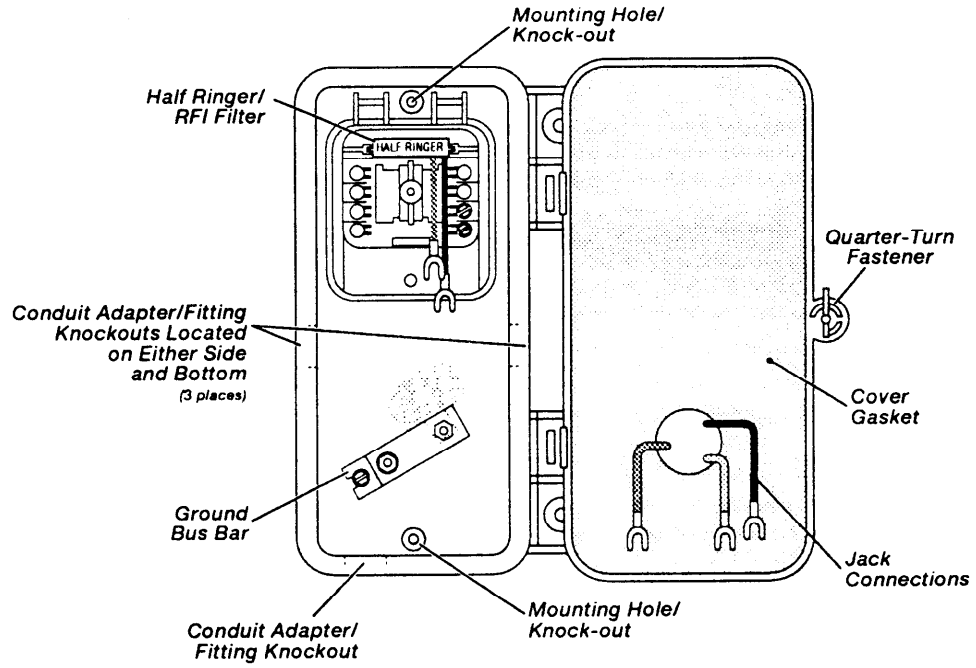
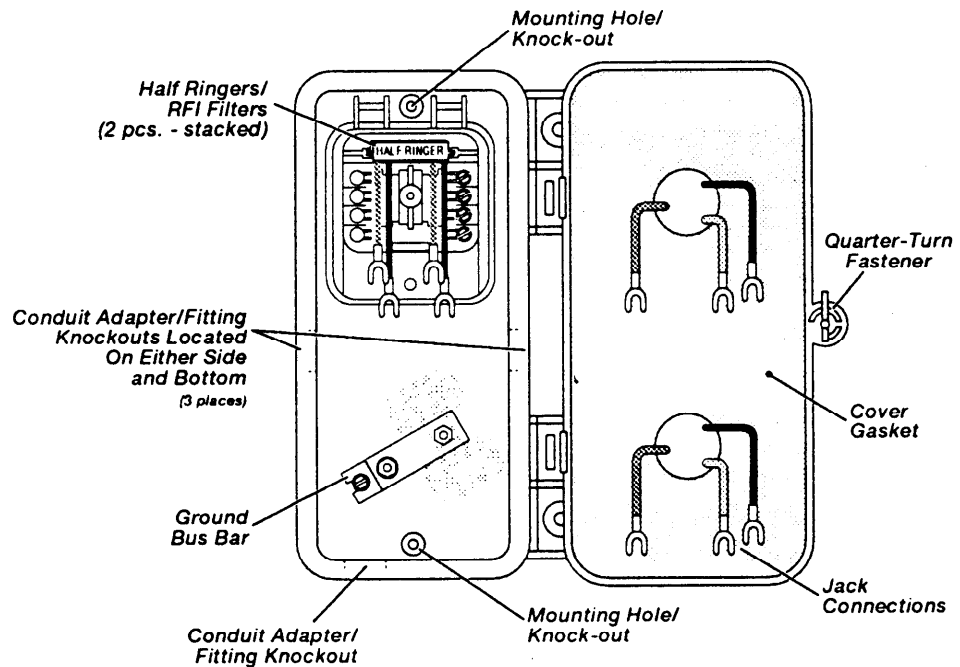


Figure 1-5

MRV-1522 Details and Features.



MRV-1521/MRV-1522

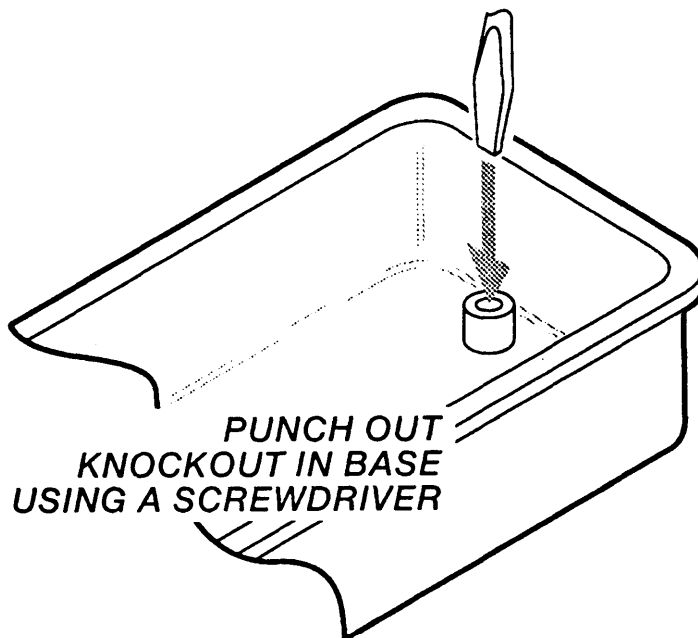
MRV-1521/MRV-1522 Installation

Wall Mounting

1. Using a 216 tool, open the MRV-1521/1522 by pushing in the quarter-turn fastener and rotating counter-clockwise.
 2. Position the MRV-1521/1522 on a solid, flat surface. Using a small punch or screwdriver, punch out knock-outs in base of unit as indicated in Figure 2-1.
 3. Using two #10 x 2" screws, mount the MRV-1521/1522 to the wall or other similar surface. Unit must be positioned vertically. Refer to Figures 1-2 and 1-3.
-

Figure 2-1

Punching out knock-out hole.



(continued on page 2-2)

MRV-1521/MRV-1522

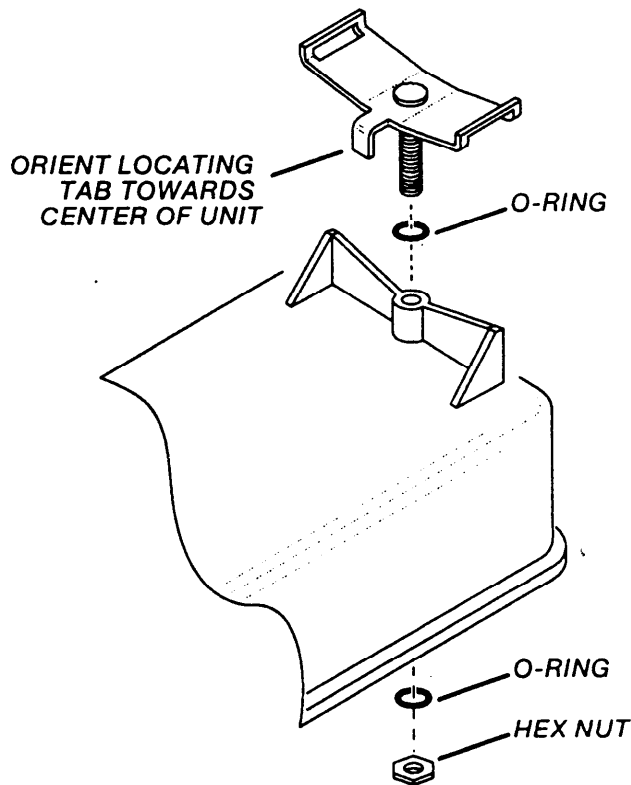
Installation (continued from page 2-1)

Pole Mounting

1. The MRV-1521/1522 may be pole mounted using lashing straps with Kit #91371-00 (the components from Kit #91371-00 may be included with the unit from the factory).
2. Using a small punch or screwdriver, punch out knockouts in base mounting bosses (see Figure 2-1). Attach brackets from bottom, inserting studs through bosses. Orient brackets with tab facing center of base. Install the O-Rings and 3/8" hex nuts and tighten from the inside (see Figure 2-2).
3. Pole Mount Brackets will accept steel lashing straps for pole mounting. Thread one end of strap through slots in bracket (refer to Figure 2-3). Hold unit vertically against pole, tighten straps.

Figure 2-2

Installing Pole Mount Bracket and Lashing Strap.

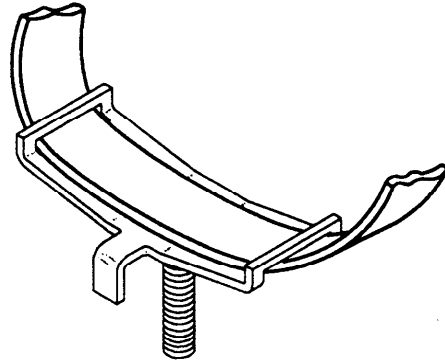


MRV-1521/MRV-1522

Installation (continued from page 2-2)

Figure 2-3

Threading Lashing Strap through Pole Mount Bracket.



Connecting Conduit/Wiring

1. Remove knockouts for fittings as needed (see Figures 1-4 and 1-5 for locations).
2. For watertight seals with cable jacketing use Keptel P/N 91573 Compression Fitting Kit (Hubbell #SHC-1022-CR or equivalent). With PVC conduit use Keptel P/N 91574 Conduit Adapter (Carlson #E996D or equivalent).
3. Install Protector(s) in MRV-1521/1522 if not already equipped.
4. To install AT&T 125 style protector(s), remove hardware from studs on Ground Bus Bar, position protector(s) on stud and replace hardware.
5. Make wiring connections. Refer to Figure 5.
6. Close cover and secure quarter-turn fastener by pushing in and turning clockwise.
7. Attach white I.D. labels supplied with unit as indicated in Figure 1-3. After writing on label, apply clear overlay to maintain legibility permanently.

(continued on page 2-4)

MRV-1521/MRV-1522

Installation (continued from page 2-3)

Figure 2-4

MRV-1521 Wiring Block Diagram .

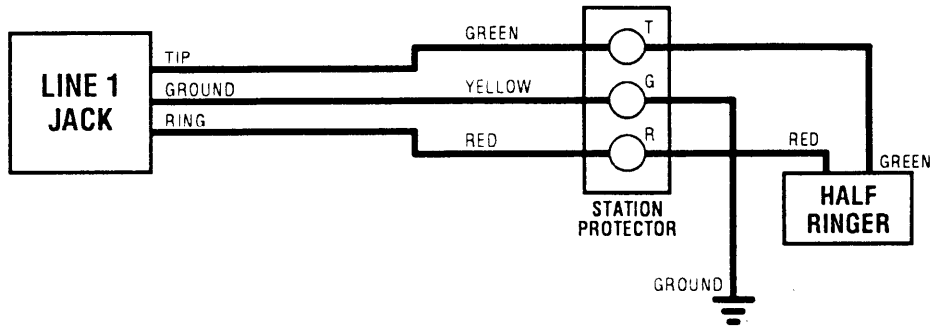
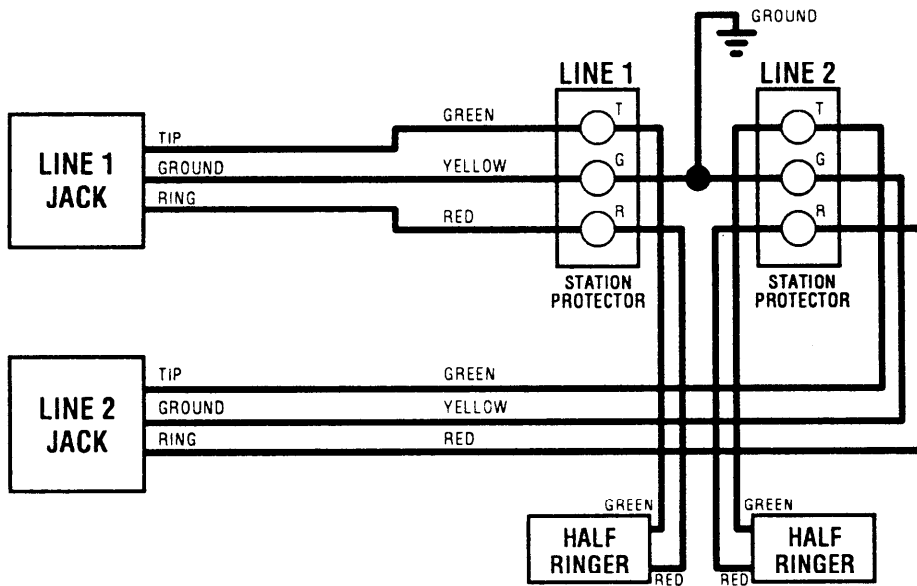


Figure 2-5

MRV-1522 Wiring Block Diagram .



MRV-1521/MRV-1522

Maintenance

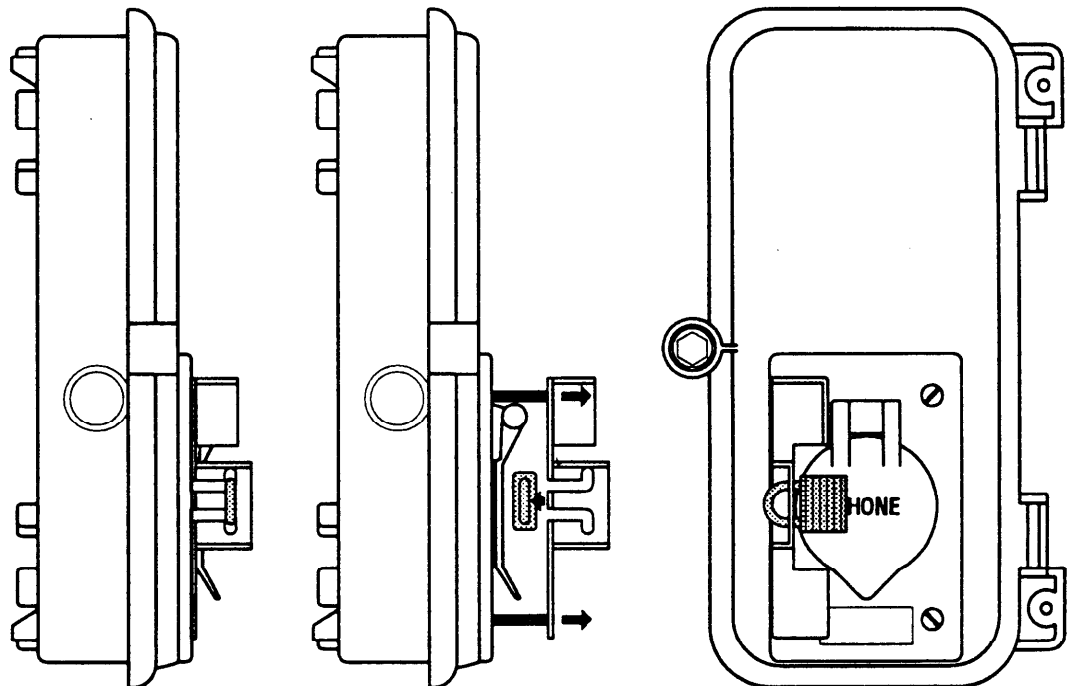
Customer Padlock Removal

If equipped, the lock staple having a customer supplied padlock attached can be overridden by Telco craft using the following procedure (see Figure 3-1).

1. Open the cover of the MRV-1521/1522 using a 216 tool.
2. Lift foam gasket in cover to expose lock staple mounting nuts.
3. Loosen nuts.
4. Lift out on lock staple until padlock can be slid behind lock staple and be removed.
5. Retighten the two lock staple mount nuts.
6. Replace foam gasket in cover.

Figure 3-1

Removing customer supplied padlock.



MRV-1521/MRV-1522

MRV-1521/MRV-1522

Options

P/N 91371 Pole Mount Kit

The MRV Pole Mounting Kit enables the MRV-1521/1522 (or other 1642 based enclosure) to be attached to metallic or wooden poles from 4" to 12" in diameter with the use of standard lashing straps (3/4" wide by 50" long) and the Pole Mount Brackets provided. Units may also be mounted to square poles from 4" to 12" square.

P/N 91574 PVC Conduit Adapter (Carlson #E996D)

The Conduit Adapter enables 1/2" PVC conduit to be brought to the MRV unit. The adapter requires cement/sealant to complete the installation.

P/N 91573 Compression Fitting (Hubbell #SHC-1022-CR)

The Compression Fitting forms a watertight seal around the jacket of the incoming drop cable when tightened.

MRV-1521/MRV-1522