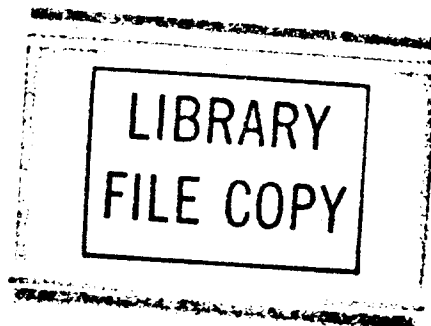


**AT-8813 B, C, AND D**  
**CUSTOMER SERVICE CLOSURES**  
**DESCRIPTION AND USE**

	<b>CONTENTS</b>	<b>PAGE</b>	
<b>1. GENERAL</b>	. . . . .	<b>1</b>	<b>1.02</b> Whenever this section is reissued, the reason(s) for reissue will be listed in this paragraph.
<b>2. DESCRIPTION</b>	. . . . .	<b>2</b>	<b>1.03</b> Information on AT-8813 B, C, and D customer service closures was formerly contained in Section 463-121-120.
<b>3. INSTALLATION</b>	. . . . .	<b>7</b>	<b>1.04</b> The AT-8813 closures are used as protective housings on the exterior walls of customer premises for various telephone company devices such as protectors, filters, isolators, termination units, and connecting blocks. The customer service closures provide improved protection from outside environment and flexibility in choice of mounting.
<b>1. GENERAL</b>			
<b>1.01</b>	This section covers the description and use of AT-8813 B, C, and D customer service closures.		



**NOTICE**

Not for use or disclosure outside the  
Bell System except under written agreement

**2. DESCRIPTION**

**2.01** The AT-8813 customer service closures are available in three sizes: B, C, and D. The closures are molded from a rigid high-impact, self-extinguishing, ultra violet stabilized plastic in oxford gray.

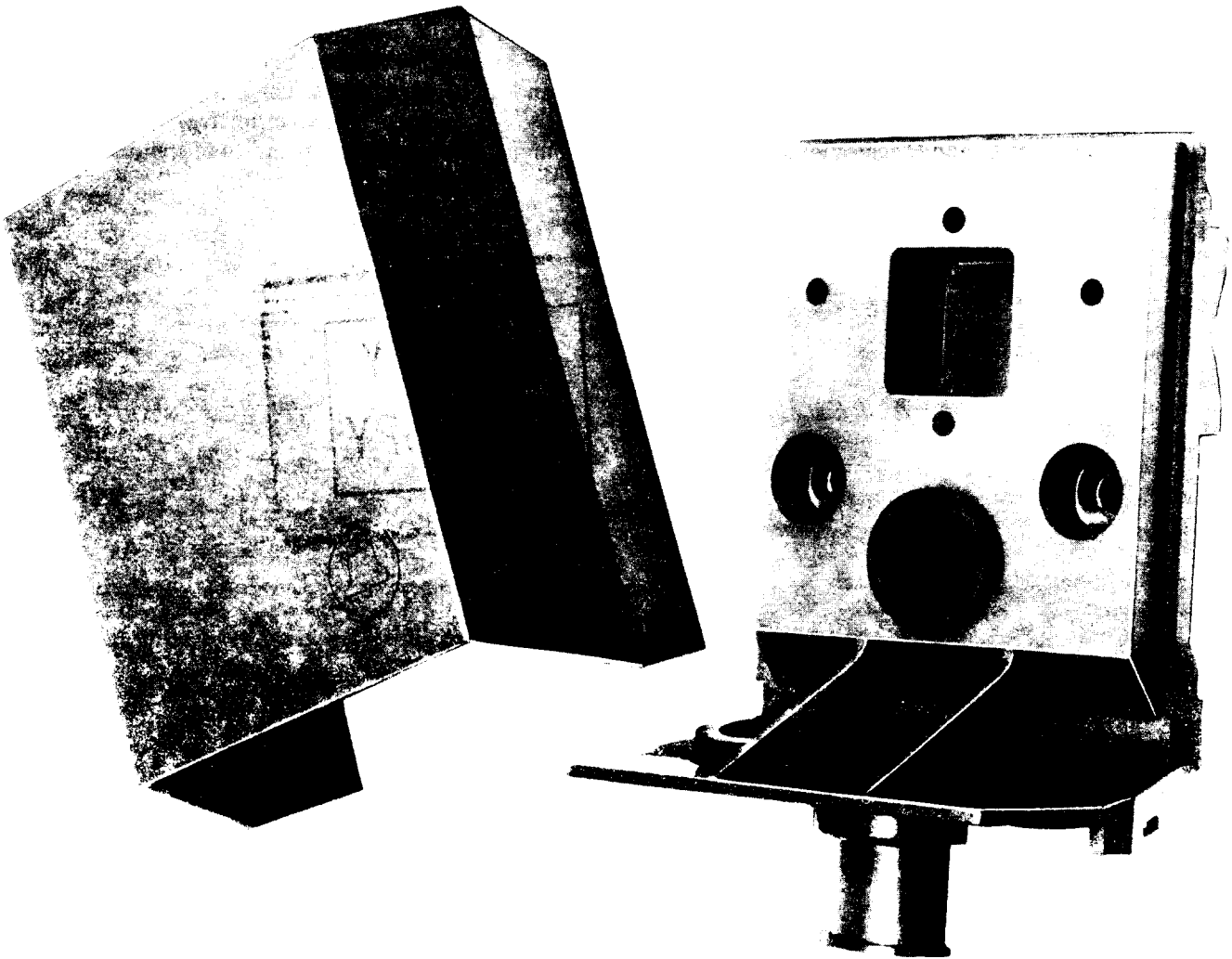
**2.02** Customer service closures are furnished as a base and snap-on cover (Fig. 1). Also supplied are two KS-20986-L4X cable ties and protector mounting screws.

**2.03** The B customer service closures are 5-1/2 inches high by 3-1/2 inches wide by 3 inches

deep and are used for one- or two-pair station protectors.

**2.04** The C customer service closures are 8 inches high by 4-1/2 inches wide by 3 inches deep and are used for protectors or a combination of protectors, 1A termination units, and loop electronic devices such as 1119A filter, 28A isolator, 66B4-3 connecting blocks, and 142-type protectors.

**2.05** The D customer service closures are 9 inches high by 6 inches wide by 3 inches deep and will house up to four protector units or combinations of the equipment listed in paragraph 2.04.



**Fig. 1 — Customer Service Closure (B Closure Shown)**

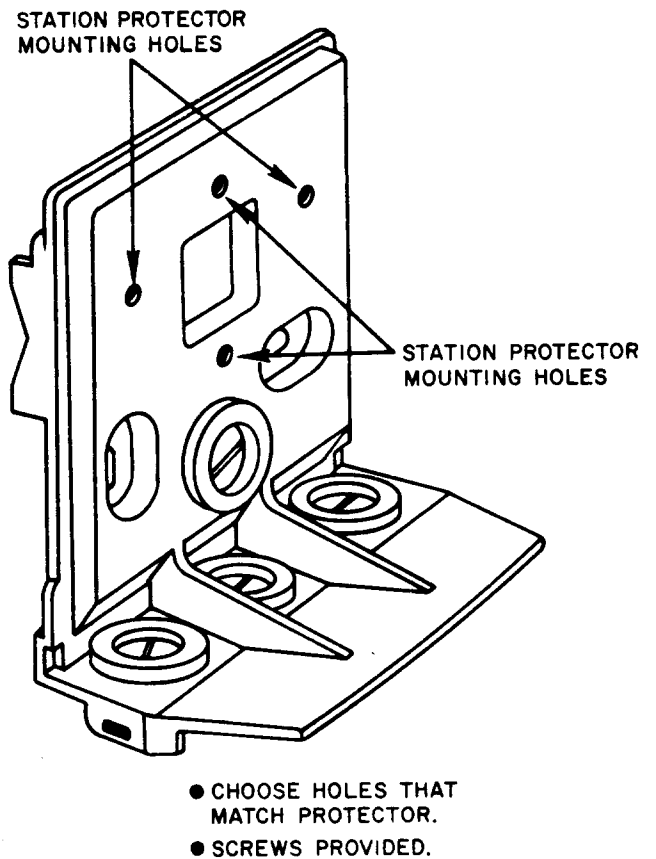
**2.06** Orders for these service closures and cable tie shall be worded as follows:

- Closure, Service Customer, B, 401971080
- Closure, Service, Customer, C, 402122006
- Closure, Service, Customer, D, 402250070
- Tie, Cable KS-20986-L4X (security ties to seal boxes).

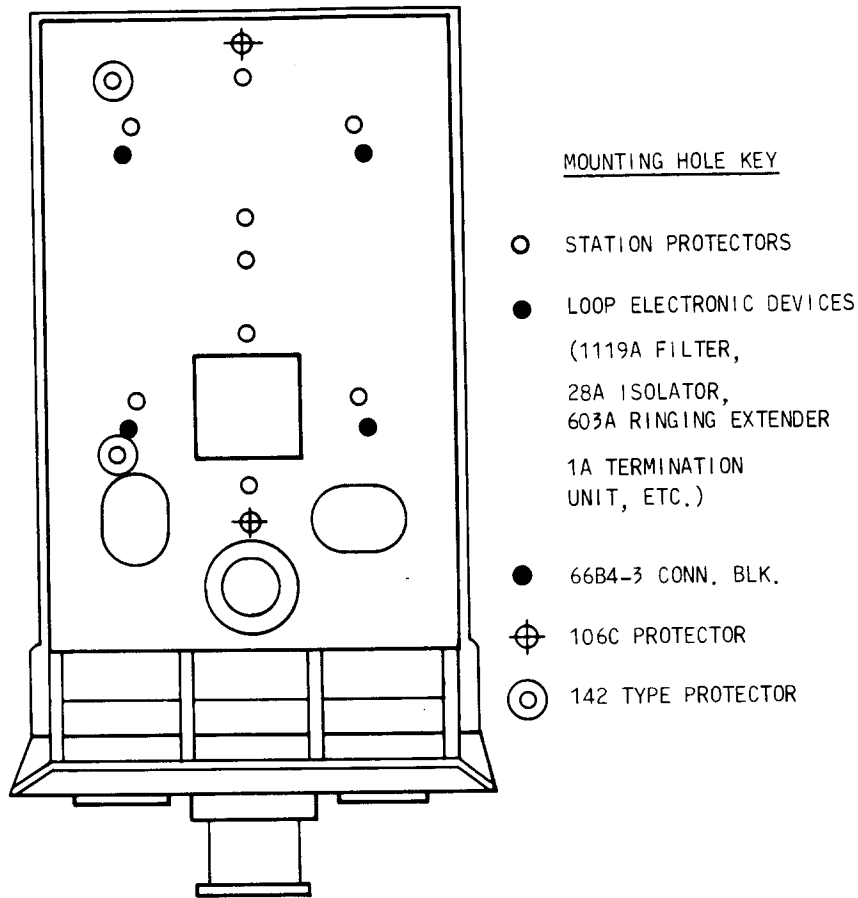
**2.07** Equipment mounting holes are provided in the base as shown in Fig. 2, 3, and 4. The mounting holes are closed off with a thin film of plastic; only those holes used to mount the base are cleared, leaving the closure resistant to insects and atmospheric contaminants.

**2.08** Wiring may be brought into the closure through self-sealing rubber grommets located in the back and/or bottom of the closure (Fig. 5).

**2.09** A grommet fitted in the back of the base allows the base to be mounted directly over a hole in the wall of the building and allows station wiring to be brought in through the back of the closure (Fig. 5).

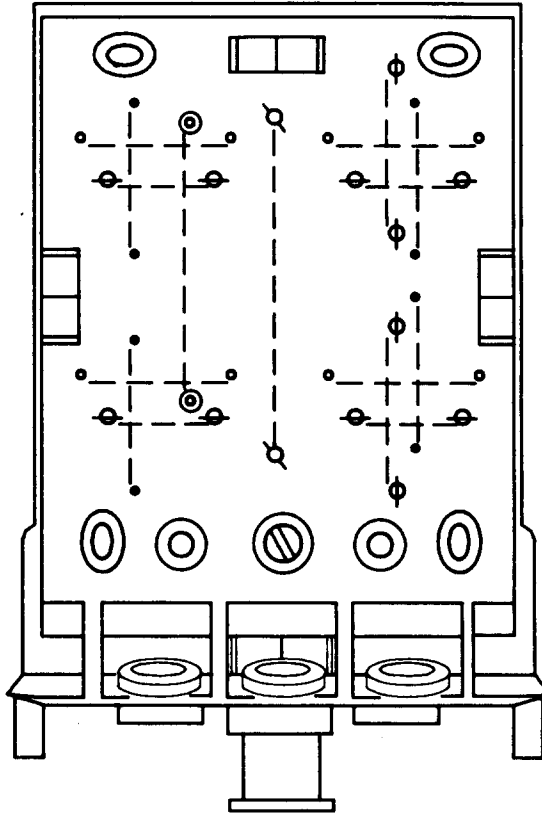


**Fig. 2—B Closure Mounting Holes**



- USE KEY TO SELECT PROPER MOUNTING HOLES
- SCREWS PROVIDED FOR -  
(PROTECTORS & 66 CONN. BLK.)

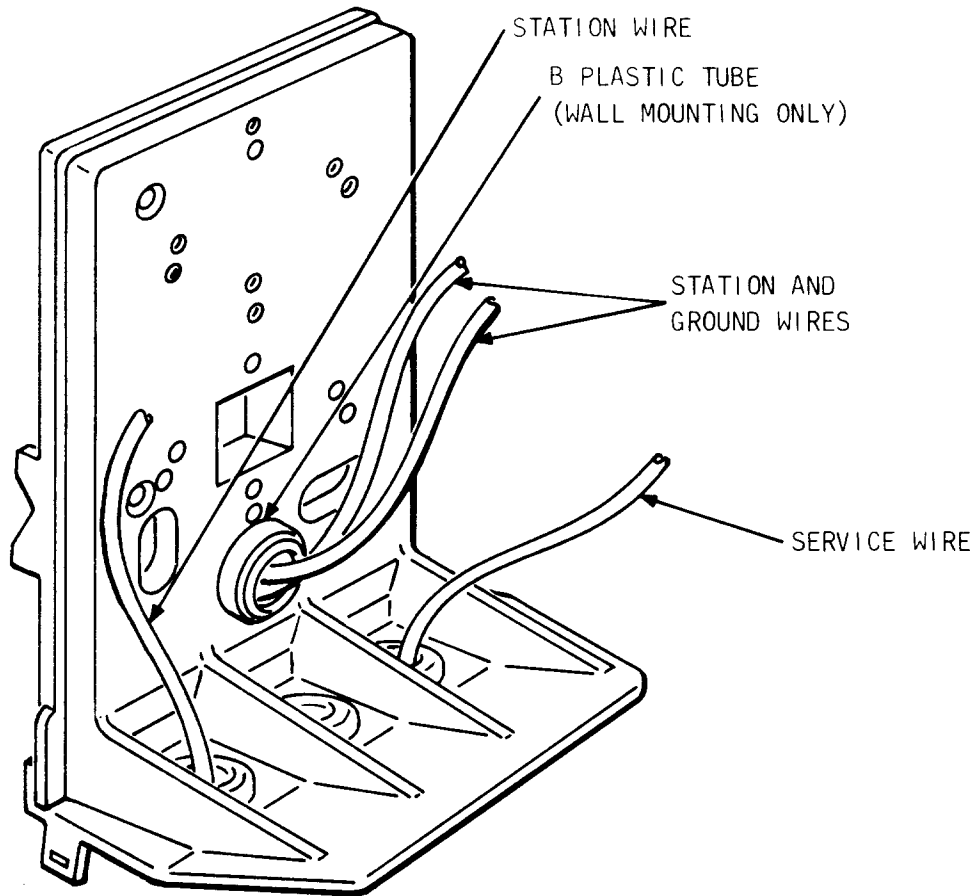
**Fig. 3—C Closure Mounting Holes**



**MOUNTING  
HOLE KEY**

- ⊕ 123 PROTECTOR
- 128 PROTECTOR
- ⊗ 106C PROTECTOR
- 66B4-3 CONN BLK
- ⊕ 1119A FILTER
- 28A ISOLATOR
- 603A RINGING  
EXTENDER
- 1A TERMINATION  
UNIT
- ⊙ 142 TYPE PROTECTOR
- USE KEY TO  
SELECT PROPER MOUNTING HOLES
- SCREWS PROVIDED FOR 123, 128 AND  
106 PROTECTORS AND 66 CONN BLK

**Fig. 4—D Closure Mounting Holes**



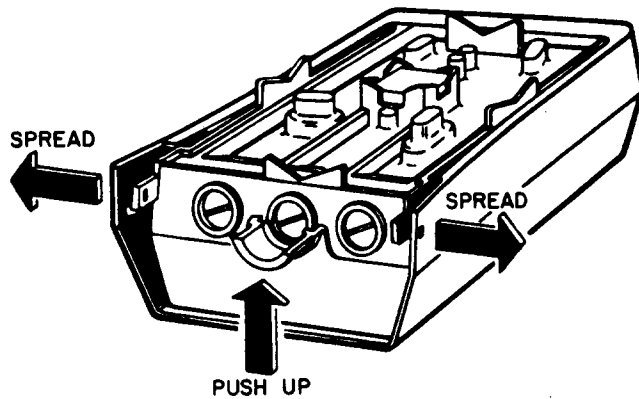
● STATION AND GROUND WIRES CAN ENTER THRU BACK OR BOTTOM GROMMETS, AERIAL OR BURIED SERVICE WIRE THRU BOTTOM.

**Fig. 5—Wall Mounting Using B Plastic Tube (C Closure Shown)**

### 3. INSTALLATION

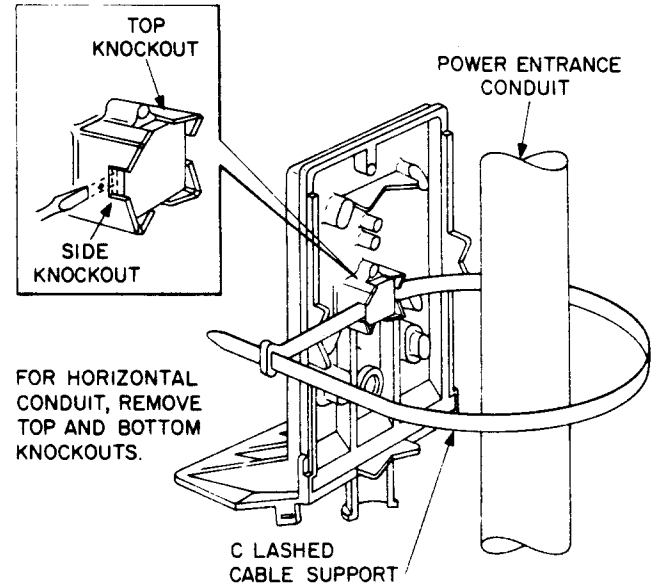
**3.01** The closure cover is removed by spreading the lower rear portions of the cover and lifting up and out (Fig. 6).

**3.02** If a B plastic tube is used, the station wiring may be brought through the wall and into the closure (Fig. 5).



**Fig. 6—Cover Removed**

**3.03** Notched base stanchions have been provided to allow closures to be mounted on a horizontal or vertical conduit, using a C lashed cable support (Fig. 7). Closure may also be mounted on an exterior wall (Fig. 8) or a protector mounting post (PMP) (Fig. 9).



**Fig. 7—Mounting on Conduit**

CLEARANCE FOR  
COVER REMOVAL

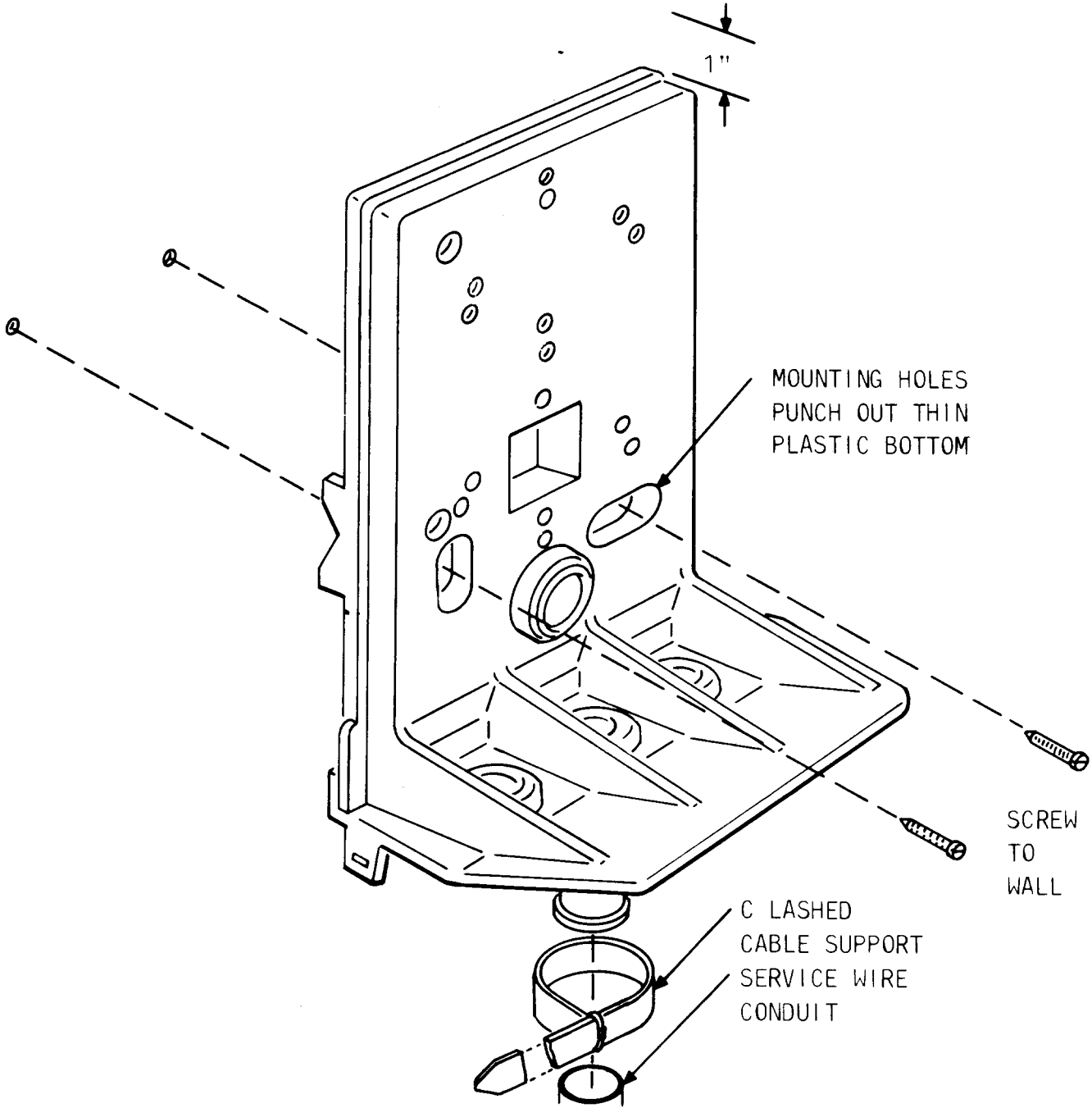
1"

MOUNTING HOLES  
PUNCH OUT THIN  
PLASTIC BOTTOM

SCREW  
TO  
WALL

C LASHED  
CABLE SUPPORT  
SERVICE WIRE  
CONDUIT

Fig. 8—Wall Mounting





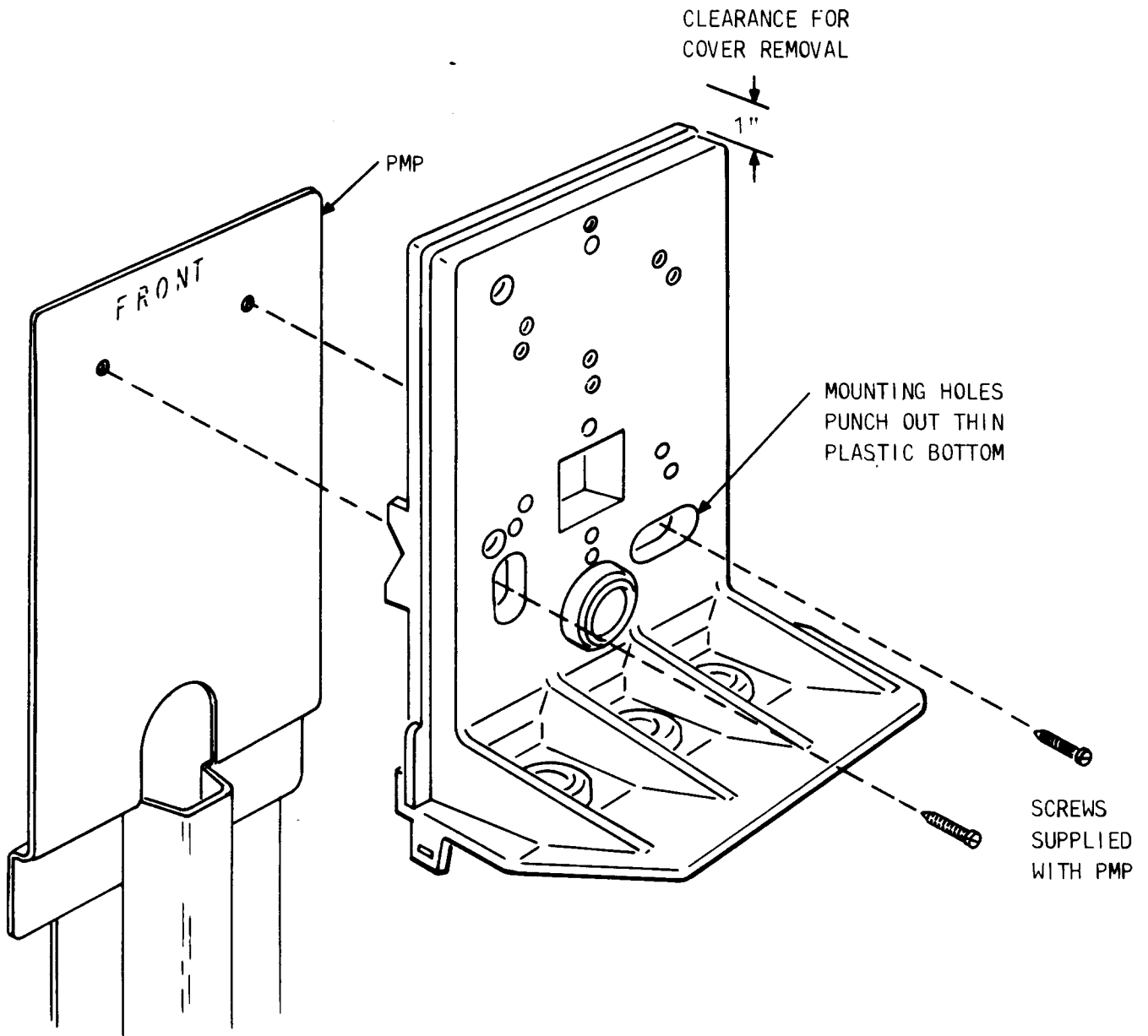


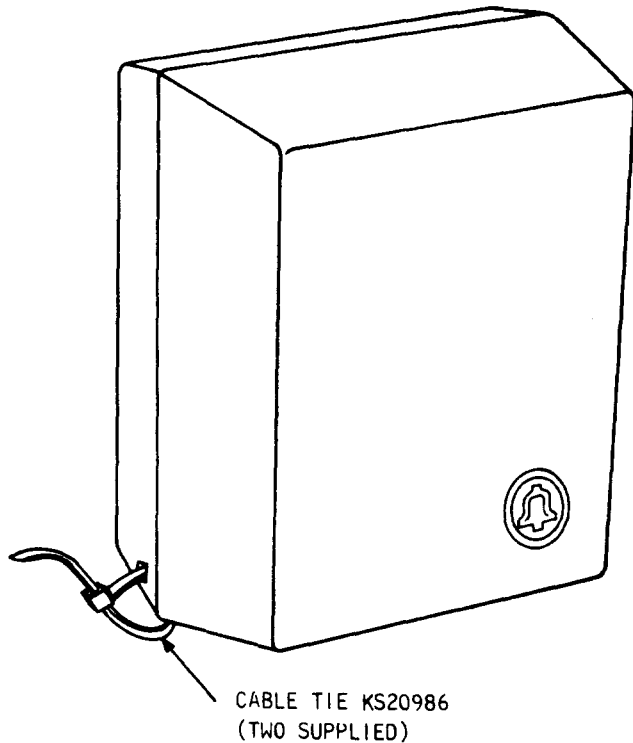
Fig. 9—Mounting on Protector Mounting Post (PMP)

**SECTION 462-242-101**

**3.04** A conduit adapter on the bottom surface allows a service wire conduit (maximum 3/4-inch outside diameter) to be coupled to the base, using a C lashed cable support (Fig. 8).

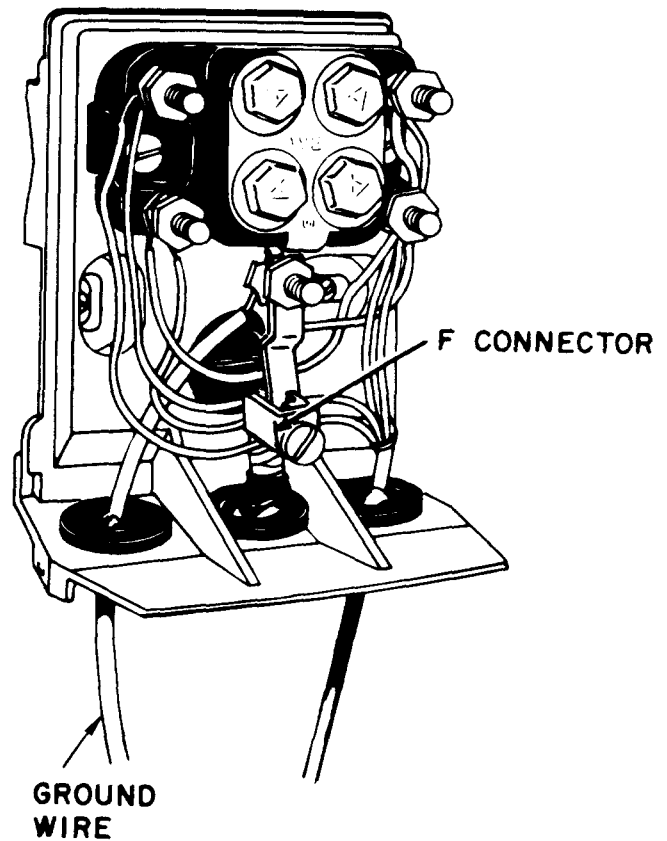
**3.05** Holes are provided in the bottom edge of the base and cover which, when properly assembled, will be aligned to accept cable tie KS-20986-L4X as a security tie (Fig. 10).

**3.06** Typical customer service closure installations are shown in Figs. 11, 12, and 13.



- SECURE COVER WITH CABLE TIES ON EACH SIDE
- TO REMOVE COVER, CUT CABLE TIES, SPREAD LOWER REAR CORNERS, LIFT AND PULL FORWARD.

**Fig. 10—Securing Closure Cover**



**Fig. 11—B Customer Closure**

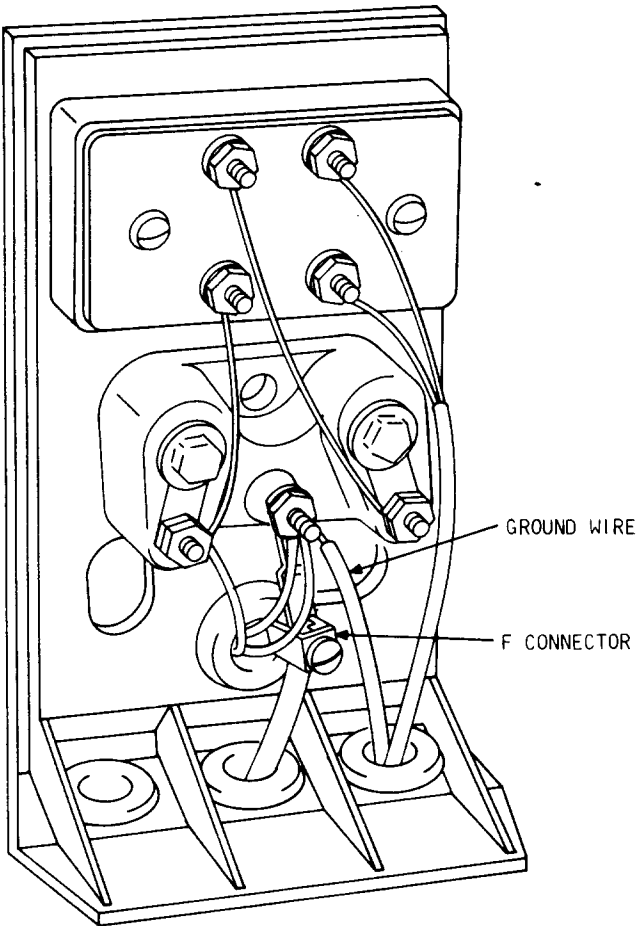


Fig. 12—C Customer Closure

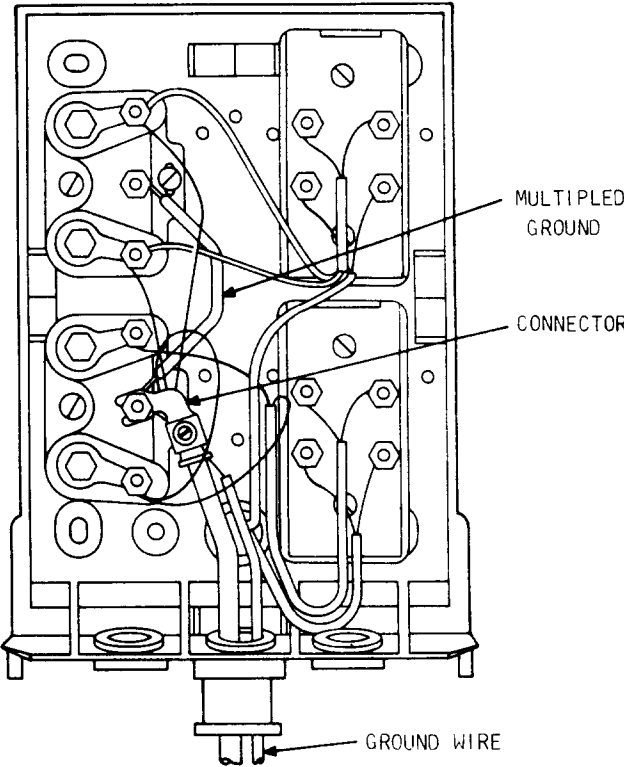


Fig. 13—D Customer Closure