

DROP AND BLOCK WIRING STRAND MOUNTED 49-TYPE CABLE TERMINALS

1. GENERAL

- 1.01** This information was formerly covered in Section 625-260-200 (G32.127.1) which is canceled.
- 1.02** The installation of the terminal is covered in Section 631-240-205.
- 1.03** Conductor terminating information is covered in Section 631-240-206.



Wear eye protection when cutting and terminating.

2. WIRING 49-TYPE TERMINALS AT POLES

- 2.01** The top binding post of each pair is the TIP side.
- 2.02** When placing new connections, run the wiring through the three rings on the bottom of the terminal housing in order to provide

slack wire for possible changes in cable pair assignment at some future time. Wire should be loosely placed so as to avoid sharp bends around rings which may result in insulation damage.

2.03 In making bridging connection, bridge no more than two conductors on each terminal block binding post.

2.04 Install drive rings and run wiring as shown in Fig. 1.

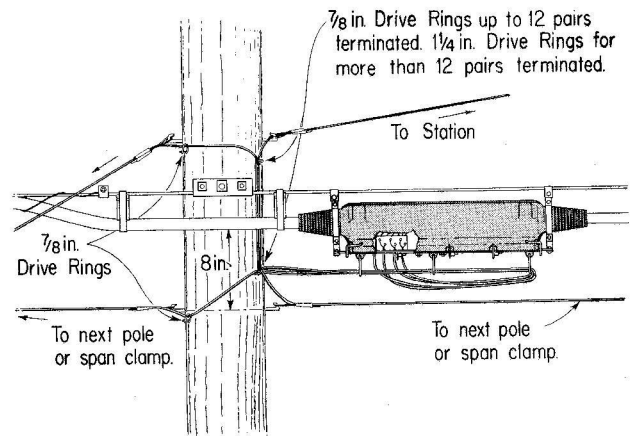


Fig. 1 — Wiring 49-Type Terminal at Pole