

APPARATUS BOXES

113-, 114-, AND 118-TYPE

FOR MOUNTING PANEL TELEPHONE SETS

IDENTIFICATION AND INSTALLATION

1. GENERAL

1.01 This section is reissued to:

- Provide information on the 118A apparatus box
- Revise Table A
- Revise Fig. 8
- Add Fig. 7

Changes or additions in the body of tables are indicated by shaded areas.

2. IDENTIFICATION (TABLE A)

(a) Purpose

Intended for use in flush wall mounting panel type telephone sets where *concealed wiring is used*.

(b) Ordering Guide

Box, apparatus 113C (replaces 113A (MD))

Box, apparatus 113D

Box, apparatus 113E (replaces 113B (MD))

Box, apparatus 114A

◆Box, apparatus 118A◆

◆Replaceable Components

Bracket, P-21F784

The P-21F784 bracket assembly (Fig. 8) is furnished on current models of 113C, D,

and E, apparatus boxes. It is available for direct replacement of damaged brackets of current design. Earlier models of the 113C, D and E boxes were furnished with a bracket assembly of a different type as shown in preceding illustrations and are not replaceable by the P-21F784 assembly bracket. Only the movable portion of P-21F784 bracket assembly is usable on the 114A apparatus box, the bracket is an integral part of the apparatus box.◆

(c) Design Features

113-Type Apparatus Box

- Dimensions are 8-9/16 inches wide by 11-9/16 inches high by 1-5/8 inches deep. Cabling knockouts are distributed on all sides and on the back of the boxes.
- Used to flush wall-mount a 750-, 751-, 1750-, 1751-, or 1753-type telephone set.
- 752-, 754-, 1752-, or 1754-type telephone set can be partially recessed in a 113-type apparatus box by using a D-180039 or D-180040 Kit of Parts (see installation section for the particular set used).
- Equipped with a removable protective fiberboard insert to prevent entry of foreign material when a telephone set or apparatus blank has not been installed.

113A (MD) Apparatus Box (Fig. 1)
Replaced by 113C

113B (MD) Apparatus Box (Fig. 2).
Replaced by 113E

113C Apparatus Box (Fig. 3).

TABLE A
IDENTIFICATION

| TYPE | EXISTING WALL | BEFORE WALL IS PLACED | | APPLIQUE EQUIPPED WITH | | CASING BEAD | METAL BRACKET | REPLACED BY | FIG. NO. |
|-----------|---------------|-----------------------|----------|------------------------|--------------------------|-------------|---------------|-------------|----------|
| | | PLASTER | DRY WALL | KNOCKOUTS | THREADED CONDUIT OPENING | | | | |
| 113C | | • | | | • | • | | | 3 |
| 113D | | | • | | • | | • | | 4 |
| 113E | • | | | | | | | | 5 |
| 114A | • | • | • | | | | | | 6 |
| 118A | • | • | • | | | | | | 7 |
| 113A (MD) | | • | • | • | | | | 113C | 1 |
| 113B (MD) | • | | | | | | | 113E | 2 |

- For use in unfinished buildings where plaster walls will be used.
- Right side equipped with an applique to permit connection of conduit for wire or cable entry.
- Lengths of standard 1-1/2 inch casing bead are fastened with self-tapping screws to three sides
- The front surface of the applique is coated with a plaster bonding agent.
- The rear of the apparatus box is coated with a bonding agent. This provides anchorage for plaster applied to the adjacent wall when the box is installed in thin wall construction.

◆ **113D Apparatus Box** (Fig. 4).

- Intended for use in new construction where dry wall material is used.
- Right side equipped with an applique to permit connection of conduit for wire or cable entry.
- The applique and a metal bracket attached to the left side provide a bearing surface against the back of wall.

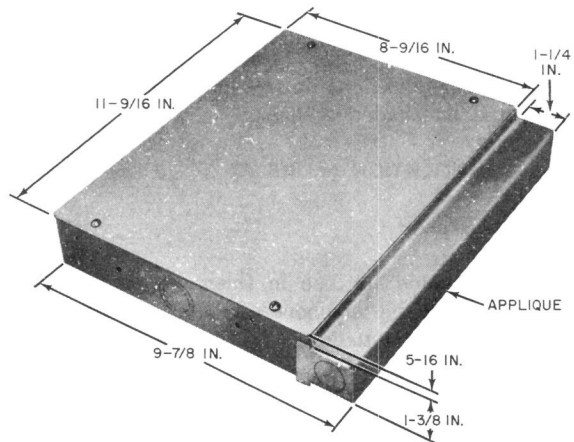


Fig. 1—113A Apparatus Box, MD

- The box is not coated with a bonding agent.

113E Apparatus Box (Fig. 5).

- Intended for use in an 8-5/8 inch by 11-5/8 inch hole cut in an existing wall.
- Requires a D-179941 Kit of Parts (must be ordered separately) for flush mounting the 113E apparatus box.◆

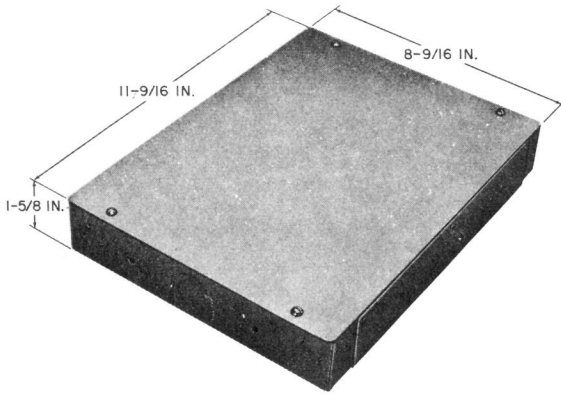


Fig. 2—113B Apparatus Box, MD

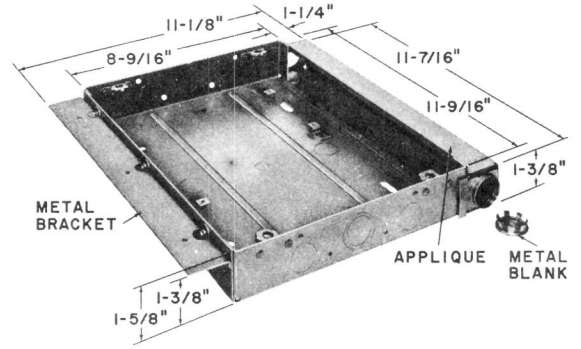


Fig. 4—113D Apparatus Box

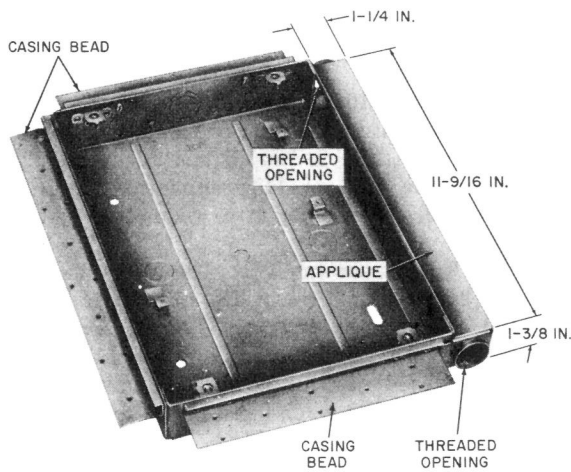


Fig. 3—113C Apparatus Box

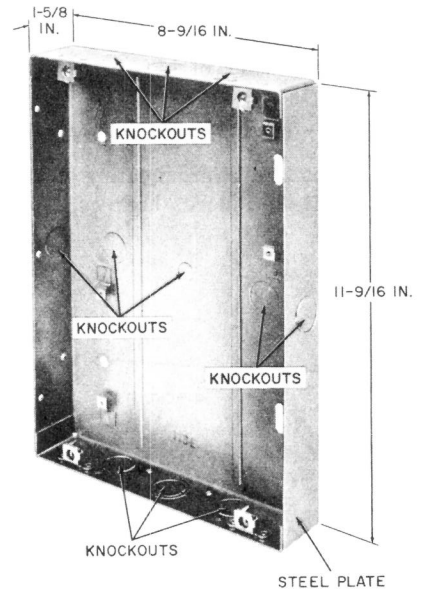


Fig. 5—113E Apparatus Box

114A Apparatus Box (Fig. 6).

- Provides flush wall mounting for the 752-, 754-, 1752-, and 1754-type telephone sets.
- For use in new construction or existing walls where wall thickness will permit use of a deeper box.
- Cabling knockouts are distributed on all sides and back of the box.
- Dimensions are 8-9/16 inches wide by 11-9/16 inches high by 2-5/8 inches deep.

- Requires a D-179941 Kit of Parts (order separately) for flush mounting in existing wall.

118A Apparatus Box (Fig. 7).

- Provides flush wall mounting for the 2755 apartment type telephone set and 755A manual telephone set (see Section 512-520-100)

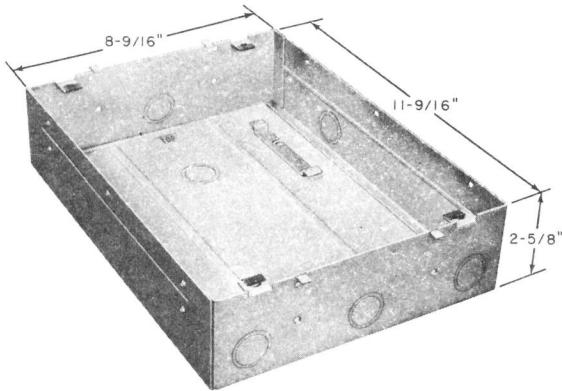


Fig. 6—114A Apparatus Box

- Cabling knockouts provided in the top, bottom, and sides of box.
- Dimensions are approximately 8-5/8 inches wide by 11-9/16 inches high by 2-3/4 inches deep.

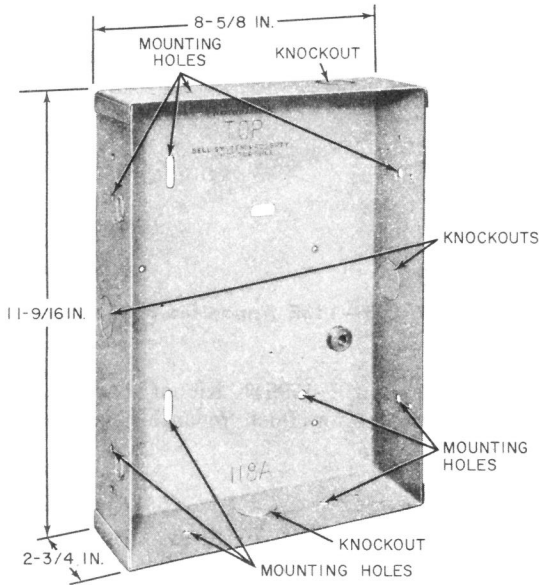


Fig. 7—118A Apparatus Box

CAUTION: SOME BRACKETS MAY HAVE SHARP CORNERS AT THESE POINTS. CARE SHOULD BE TAKEN TO PREVENT PERSONAL INJURY.

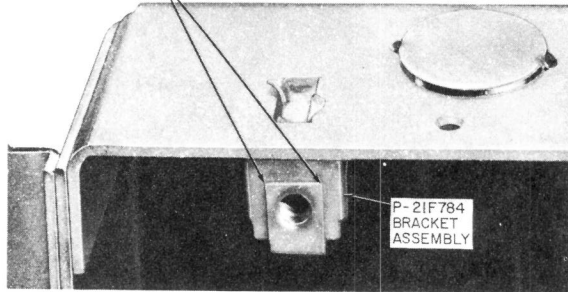


Fig. 8—P21F784 Bracket Assembly

(e) Associated Apparatus

(1) Hanger, KS-19202, L2 (replaces KS-19292, L1 (MD)). KS-19202, L1 (MD) hanger (Fig. 9 and 10) is used to mount the 113A (MD) apparatus box (two required. KS-19202, L2 hanger (Fig. 9, 10, 11, and 12) is used to mount the 113C or 113D apparatus boxes in new wall construction (two required).

(2) Blank, apparatus 107B. The 107B apparatus blank (Fig. 17 and 18) is used to cover the opening in a 113-, or 114-type apparatus box when a telephone set is not installed. It is furnished in clear anodized aluminum and is provided with mounting brackets and screws.

(3) Parts, Kit of, D-179941. D-179941 Kit of Parts (Fig. 13, 14, 15 and 16) is used to mount the 113E or 114A apparatus box in an existing wall.

3. INSTALLATION

3.01 Table A shows the recommended locations and features for installation of 113-, 114-, and 118-type apparatus boxes.

3.02 Location should be:

- Free of safety hazards
- Agreeable to customer
- Away from adjacent apartments. Wall locations common to adjacent apartments

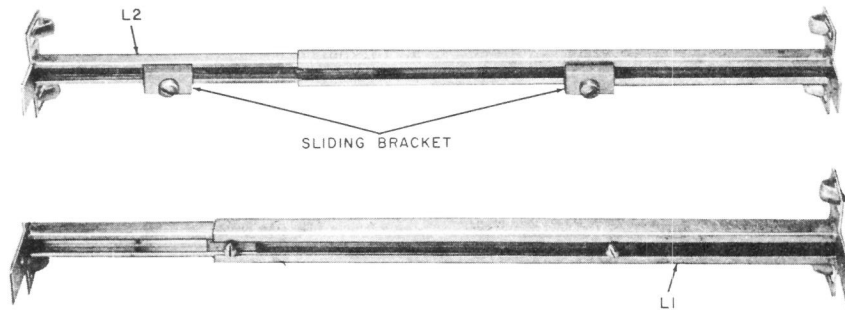


Fig. 9—KS-19202, List 1 (MD) and List 2 Hangers

should be avoided; the telephone set ringer, located in an apparatus box, may be audible in adjacent apartments.

3.03 The raw-ended wire or cable is terminated in the 113-, and 114-type apparatus boxes on 71- or 75-type connecting blocks. Inside wire and cable should be brought into and terminated in the box at the time of installation. The connecting block should be installed on the brackets located in the upper right corner of the apparatus box. The ends or loops of the inside wire or cable conductors are dressed from the underside of the connecting block up through the slots and connected to the inner terminal screws.

3.04 If an A25B connecting cable is used, provide for adequate slack to allow for easy installation and removal of the panel telephone set. Refer to the section covering installation of the telephone set for cabling and connecting information.

113-TYPE APPARATUS BOX

3.05 113A (MD) Apparatus Box: The 113A (MD) apparatus box is mounted by using two KS-19202, List 1 (MD) hangers (Fig. 9). The hangers are installed 6-9/16 inches apart and 1-3/8 inches from face of the stud (Fig. 10). Anchors are provided for securing the hangers to the building studs. The apparatus box is secured to the hanger using supplied screws.

3.06 113E and 113B (MD) Apparatus Box:

(a) The 113E and 113B (MD) apparatus boxes require a hole 8-5/8 inches wide by 11-5/8

inches high cut into an existing wall. A D-179941 Kit of Parts (Fig. 13) is required.

(b) Install the 113E and 113B (MD) apparatus boxes as follows:

(1) Mount the stops on top and bottom of the apparatus box with screws provided (Fig. 14).

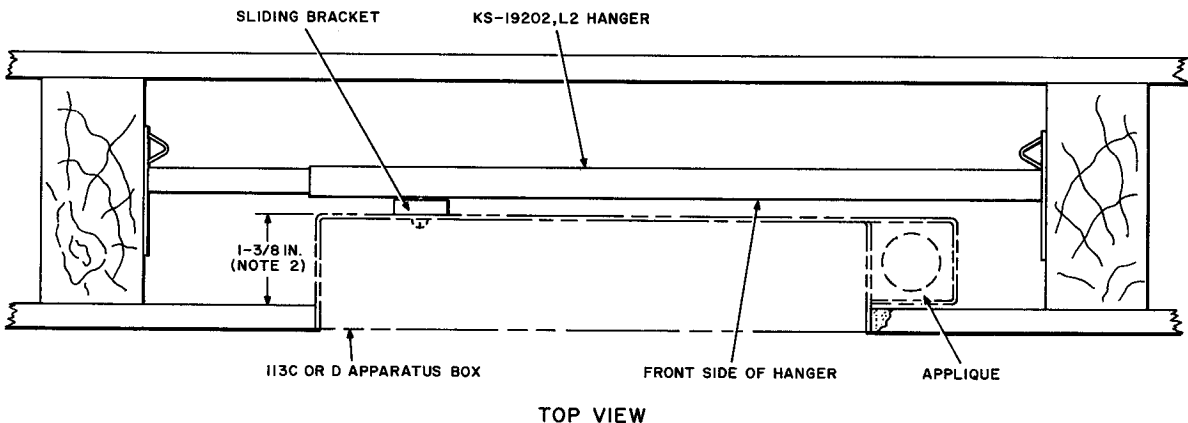
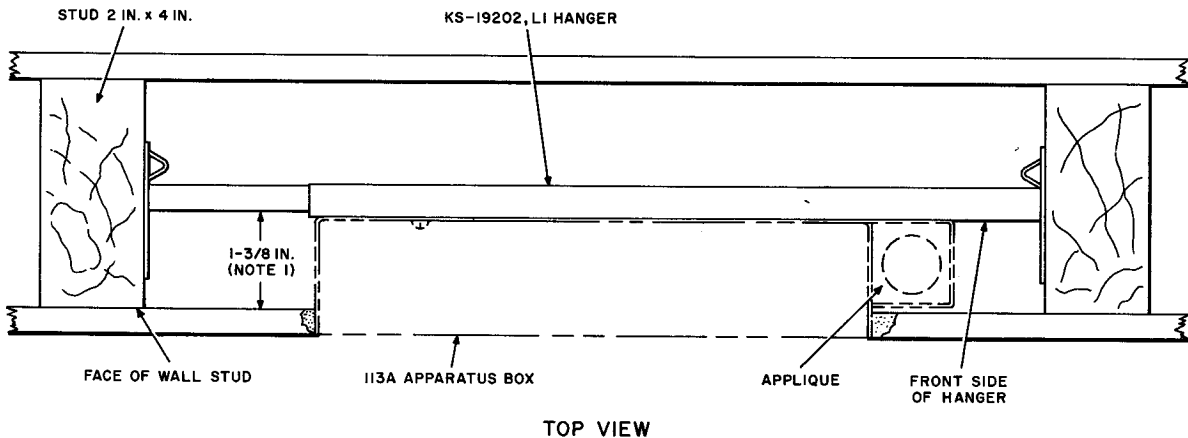
Note: 113B (MD) does not have holes in top and bottom of box to permit attaching P-26E886 stop. Holes must be drilled locally.

(2) Slide apparatus box in wall until stops firmly contact wall surface.

(3) Insert the clips between the side of the box and the edge of the hole in wall (Fig. 15) with the tabs protruding toward the front.

(4) Bend the clip tabs over the side of the box locking the box firmly to the wall (Fig. 16).

3.07 113C and 113D Apparatus Boxes: The 113C or 113D apparatus box is mounted using two KS-19202, L2 hangers (Fig. 9). The box must be installed before the wall is placed. The spacing between hangers is 6-9/16 inches and the spacing from the stud face to the face of the sliding bracket is 1-3/8 inches (Fig. 10). The hangers are secured to the building studs using the stud anchors provided on the end of the hangers (Fig. 11 and 12). Fasten the box to the sliding brackets of the hangers with screws provided.♦



NOTES:

1. FOR MOUNTING THE KS-19202, L1 HANGER WITH THE 113A APPARATUS BOX, RECESS HANGER SO THAT THE DISTANCE FROM THE FRONT SIDE OF THE HANGER IS 1-3/8 INCH FROM THE FACE OF THE WALL STUD.
2. FOR MOUNTING THE KS-19202, L2 HANGER WITH THE 113C OR D APPARATUS BOX RECESS HANGER SO THAT THE FRONT SIDE OF THE SLIDING BRACKET IS 1-3/8 INCH FROM THE FACE OF THE WALL STUD.

Fig. 10—Installation Detail For 113A (MD), C, or D Apparatus Box

3.08 114A Apparatus Box: The 114A apparatus box requires a hole 8-5/8 inches by 11-5/8 inches to be cut in the wall. The two clips from a D-179941 Kit of Parts are used to secure the box in the wall in the same manner as the 113E apparatus box (Fig. 14, 15, and 16). The two stops and mounting screws from the D-179941 Kit of Parts are not required. The 114A apparatus

box is designed with tabs that prevent the box from slipping into the wall deeper than a flush fit.

3.09 118A Apparatus Box:

- (a) Mount with top of apparatus box 63 inches from floor.

- (b) Front of apparatus box should be flush with or within 1/8 inch of finished wall. The front of box must not project beyond the finished wall.
- (c) Mounting holes are provided on the top, bottom, sides and back of the apparatus box (Fig. 7).
- (d) See Section 512-520-100 for installation of 2755-type telephone set. ◀

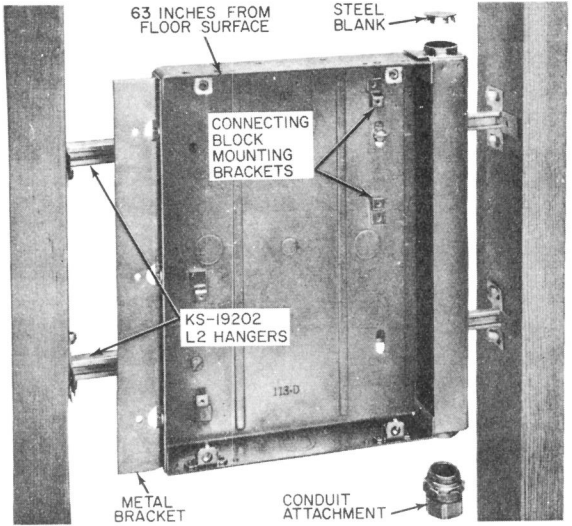


Fig. 11—113D Apparatus Box, Typical Installation (Front View)

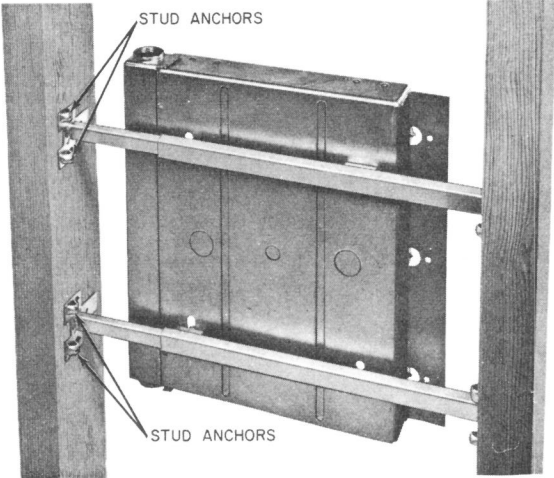


Fig. 12—113D Apparatus Box, Typical Installation (Rear View)

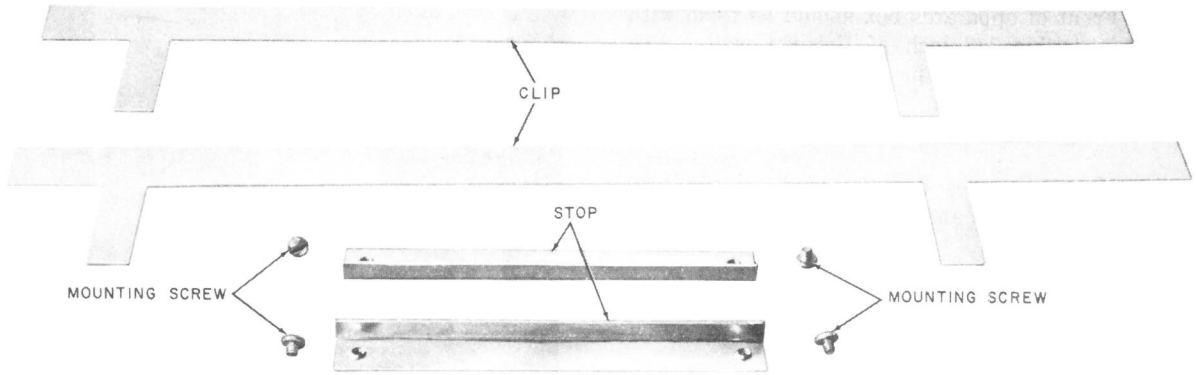


Fig. 13—D-179941 Kit of Parts

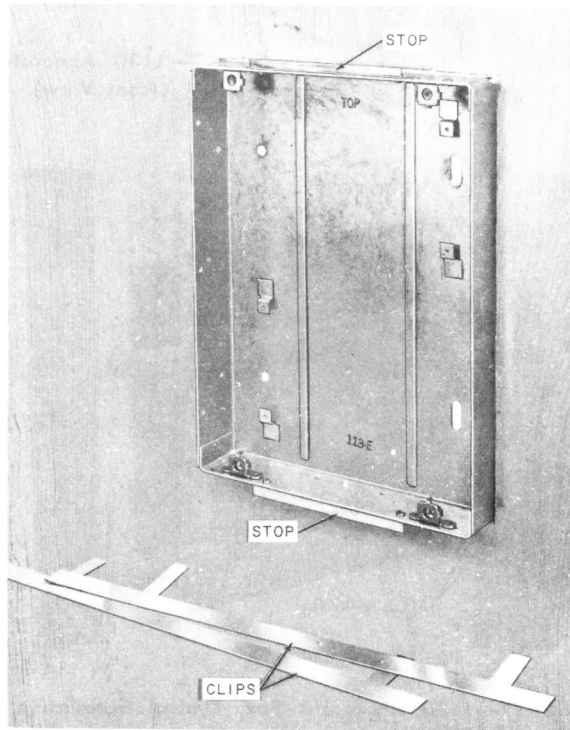


Fig. 14—113E Apparatus Box, Showing Clips and Installation of Stops From D-179941 Kit of Parts

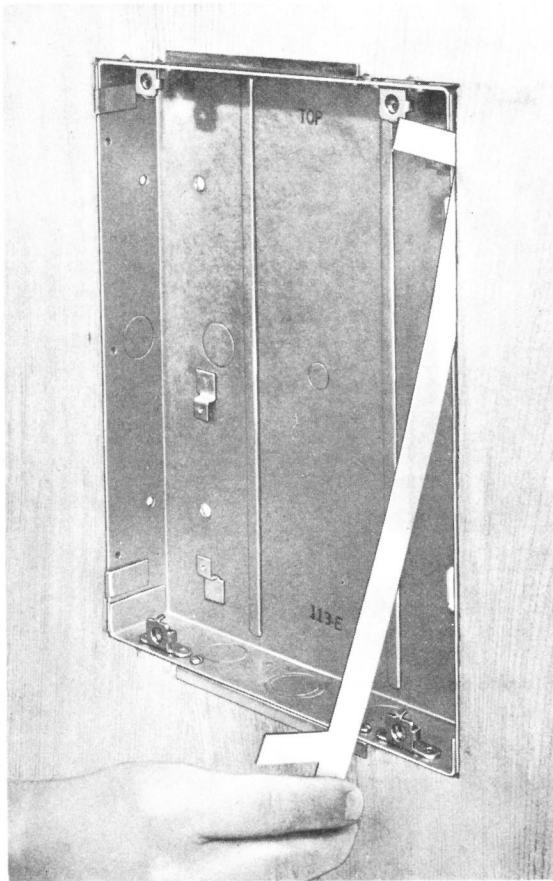


Fig. 15—113E Apparatus Box, Showing Installation of Clips from D-179941 Kit of Parts

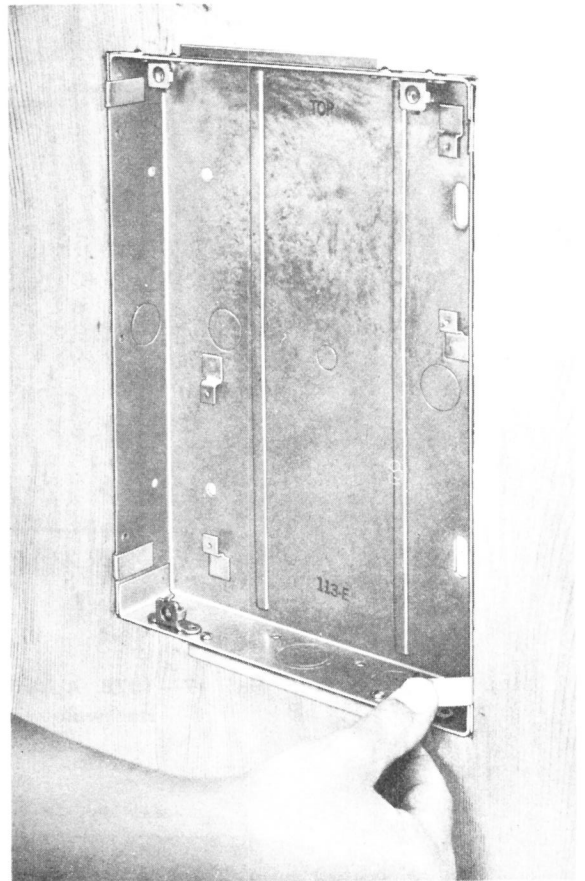


Fig. 16—113E Apparatus Box, Showing Installed D-179941 Kit of Parts

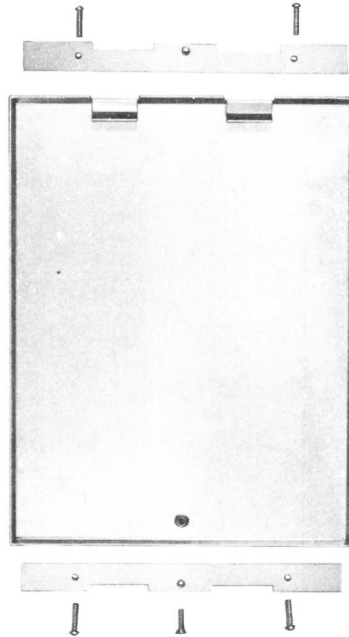


Fig. 17—107B Apparatus Blank and Mounting Hardware

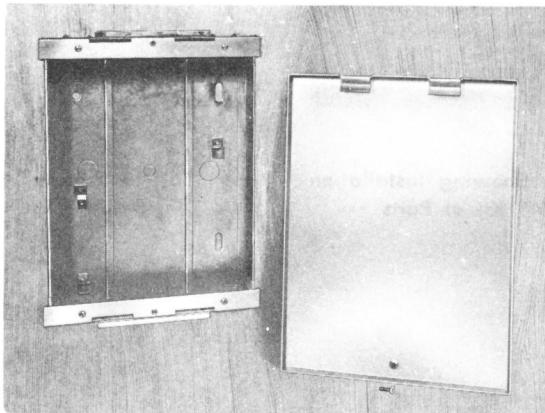


Fig. 18—107B Apparatus Blank with Brackets Attached to 113E Apparatus Box