

REGISTRATION INTERFACE

ADAPTER ARRANGEMENTS

RJA1X, RJA2X, AND RJA3X

1. GENERAL

1.01 This section provides information on the standard wiring arrangements, using a modular jack adapter as an interface, to be provided under the Federal Communications Commission's (FCC) registration program for registered ancillary, data, and protective circuitry of the type associated with ancillary and data customer-provided equipment (CPE).

Note: Customer-provided data equipment connected to the network via the interfaces in this section must have a fixed signal power level under -9 dBm. See Section 590-101-103 for connection of other data devices.

1.02 Whenever this section is reissued, the reason(s) for reissue will be listed in this paragraph.

1.03 Under the registration program, customers can purchase certain standard adapters from either the telephone company or an outside supplier. The adapters can be used with either telephone company or customer-provided devices. Adapters that are manufactured for sale to the customer (or other common carriers) will carry a W code (224AW, 225AW, 267AW), will have an imprint showing they were manufactured by Western Electric, and will be gray in color. Adapters that are not for sale will be ivory or translucent, will carry a standard code (224A, 225A, 267A), and will be imprinted "Bell System Property - Not For Sale," or with the Bell System emblem stamped on them. The differences in color and marking are intended as aids in establishing ownership of adapters should the occasion arise at a later date; for example, on a repair visit.



Adapters are NOT to be installed when a customer orders a standard jack.

1.04 These arrangements provide:

- A means of converting existing 4- or 12-contact jacks to modular type
- Two modular jacks in one adapter housing.

The telephone company equipment or registered CPE must terminate in a modular plug to be physically compatible. If the CPE is terminated in a 4- or 12-prong plug and a modular jack is in place, the equipment is not compatible for use with the adapters.

1.05 In these arrangements, tip and ring only are to be furnished to the CPE and appear in contacts 4 and 3 of the adapters, respectively. In 2-line jacks, T2 and R2 appear on contacts 2 and 5. Otherwise, contacts 2 and 5 are reserved for telephone company use. Disposition of these leads should be per local instructions.

Note: Circuit incompatibility may occur involving the spare leads if a change of service is installed, ie, a party line with dial light power installed originally would not be compatible with a subsequent installation of 2-line service. Whenever service is altered at an installation involving registration Uniform Service Order Codes (USOCs), check that all appearances are properly wired.

2. DESCRIPTION OF ADAPTERS SOLD TO CUSTOMERS

2.01 **USOC RJA1X:** This arrangement uses a gray 225AW adapter (Fig. 1) to provide physical compatibility between the modular plug

NOTICE

Not for use or disclosure outside the
Bell System except under written agreement

on the CPE and an existing 4-prong jack such as a 548A or 549A (Fig. 4). Tip and ring are always connected through to the CPE. A and A1 or other leads will appear in the adapter if connected in the existing jack.

2.02 USOC RJA2X: Uses a 267AW (Fig. 2) adapter to connect two modular jacks to one modular plug. Four leads are multipled to the same contacts in the plug and both jacks (Fig. 5). Tip and ring are always connected through to the multiple jacks. A and A1 or other leads will appear in the multiple jacks if wired into the existing jack. The 267AW adapter can also be mounted piggy-back on a 224AW or 225AW adapter if required. Adapter is furnished either by the telephone company or customer.

2.03 USOC RJA3X: Used to convert an existing 12-pin jack, such as a 541A or 551A, to a 4-pin modular jack (Fig. 6). A 224AW adapter (Fig. 3) is plugged into the 12-pin jack, and the modular plug on the telephone company- or customer-provided equipment plugs into the adapter. Tip and ring are always connected through to the CPE. A and A1 or other leads will appear in the adapter if wired into the existing jack. Adapter is provided by either the telephone company or the customer.

3. DISTRIBUTION OF ADAPTERS SOLD TO CUSTOMERS

3.01 Registration program standard USO codes have been assigned to the adapters that can be purchased by the customer. These codes make it easier for the customer to order the appropriate adapter and will enable proper billing.

3.02 The USOCs for the adapters described in Part 2 will appear on a service order only when a customer has placed an order to buy the adapter from the telephone company. These codes will not be used under any circumstance for any other purpose.

3.03 Customer requests to purchase adapters should be handled in the same manner as requests for standard jacks used with CPE, that

is, the customer should specify the appropriate USOC as advised by the CPE supplier. Requests for adapters received by an installer while on the premises should be referred to the Business Office. Purchased adapters will ordinarily be distributed to customers by mailing.

3.04 Adapters available for purchase are not normally carried on installation and repair vehicles. However, if the customer orders an adapter in conjunction with other installation work, the gray W-coded adapter should be stocked on the truck with the other equipment needed to complete the order.

4. MAINTENANCE

4.01 Maintenance of all arrangements is limited to verification of the telephone company wiring and equipment. Check that the required leads are supplied to the interface used for CPE connection. No attempt should be made to test, modify, or repair customer-owned and maintained equipment. The mounting cord on a CPE device is always customer-owned and maintained.

4.02 Maintenance of service charges will not be made on customer-owned adapters purchased from the telephone company if they become defective within 30 days of the purchase date. After 30 days have elapsed, the charge will apply if a visit to the premises is made.

4.03 When in the judgment of repair personnel the trouble is located in or caused by the CPE, or the customer's adapter (including adapters purchased from the telephone company), the Repair Service Bureau should be notified so that proper Maintenance of Service Charge Billing can be initiated as required and as outlined in the following:

- Section 660-101-312—Maintenance of Service Charge on Services With Customer-Provided Equipment (CPE)
- Section 660-101-318—Tariff and Registration Violation Notice Procedures.

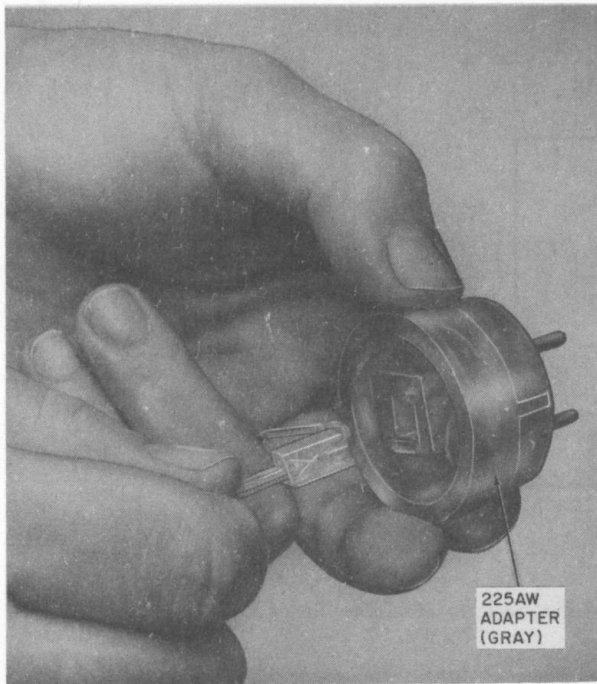


Fig. 1—225AW Adapter

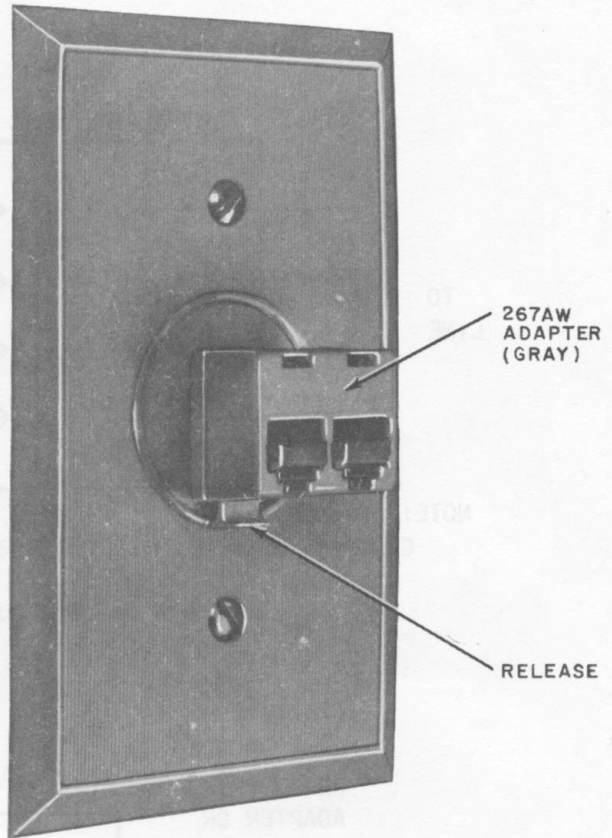


Fig. 2—267AW Adapter Mounted on 625-Type Connecting Block

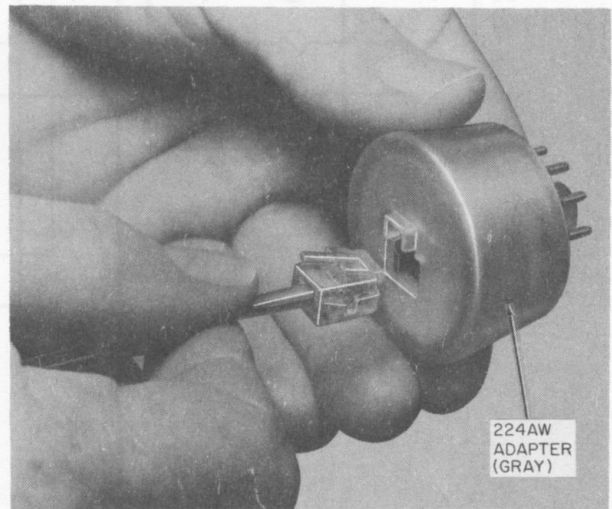


Fig. 3—224AW Adapter

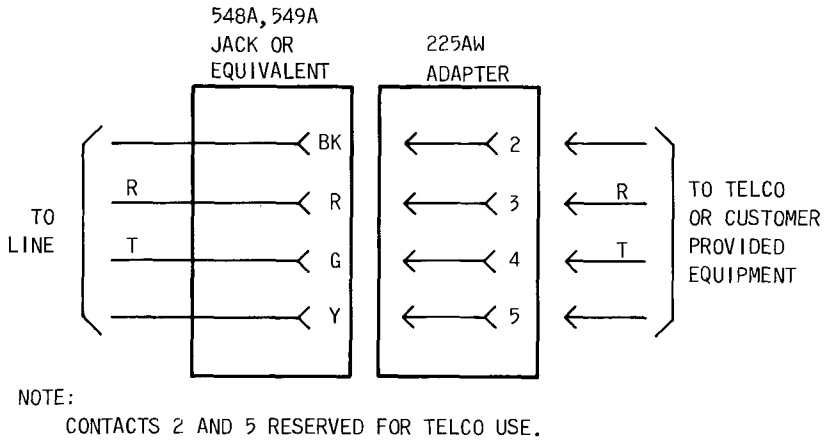


Fig. 4—Connections for USOC RJA1X, 4-Pin Jack to Modular Jack

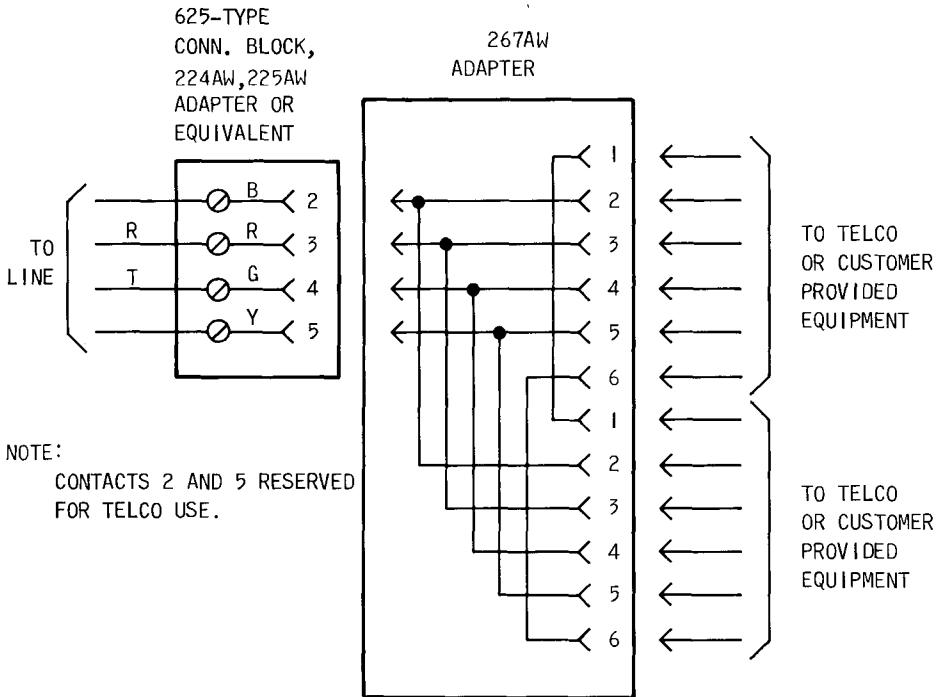
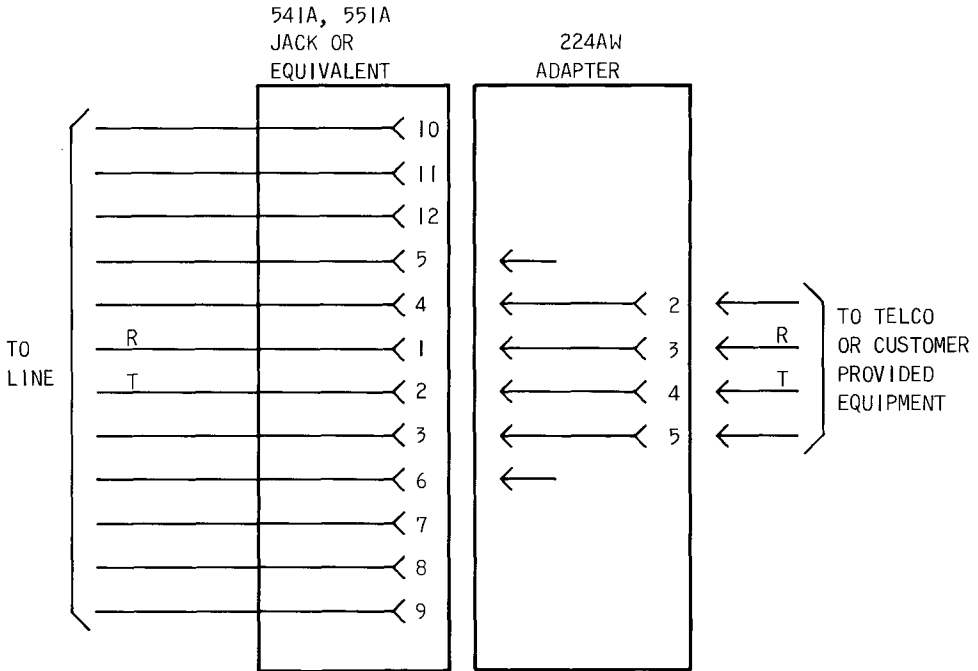


Fig. 5—Connections for USOC RJA2X, Modular Plug to Dual Modular Jack



NOTE:
CONTACTS 2 AND 5 RESERVED FOR TELCO USE.

Fig. 6—Connections for USOC RJA3X, 12-Pin Jack to Modular Jack