

REGISTRATION INTERFACE

RJ61X

IDENTIFICATION, INSTALLATION, AND MAINTENANCE

BRIDGED 4-LINE TIP AND RING ARRANGEMENT

1. GENERAL

1.01 This section provides information on the standard jack and wiring arrangements to be provided under the Federal Communications Commission (FCC) Registration program for connection of registered nonkey telephone sets, ancillary devices, and key, PBX, and similar telephone systems. This section covers 4-line network interface connections. For information on 2-line network interface connections (RJ14C or RJ14W), see Section 463-400-140. For information on 3-line network interface connections (RJ25C), see Section 463-400-142. For information on multiple-line network interface connections, see Section 463-400-141.

Note: Registered data equipment connected to the network via the jacks in this section must have a fixed signal power level no greater than -9dBm . See Section 590-101-103 for connection of other data devices.

1.02 Whenever this section is reissued, the reason(s) for reissue will be listed in this paragraph.

1.03 A miniature 8-position jack is used to provide the bridged tip and ring connections of telephone lines for registered terminal equipment for four individual lines. The connections are furnished through a 102A or 103A connecting block (Fig. 1, 2, and 3).

2. IDENTIFICATION

2.01 The USOC RJ61X provides for the bridged connections of the tip and ring (maximum four) telephone lines to the registered equipment (Fig. 4).

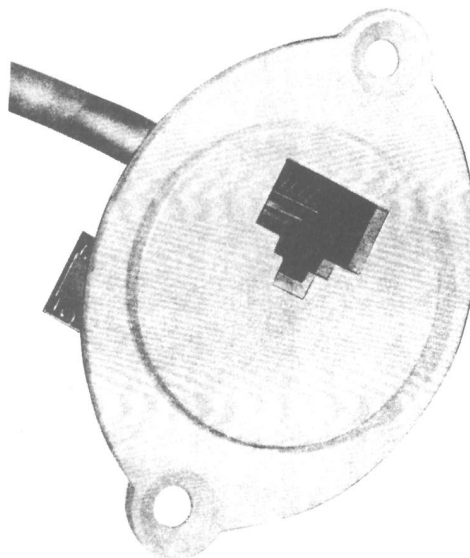


Fig. 1—102A Connecting Block, Front View

Note: At the time the connecting block (USOC RJ61X) is ordered, the customer must specify the sequence in which the lines are to be connected to the jack. The sequence should appear in the text or in the remarks section of the service order.

NOTICE

Not for use or disclosure outside the
AT&T Companies except under written agreement

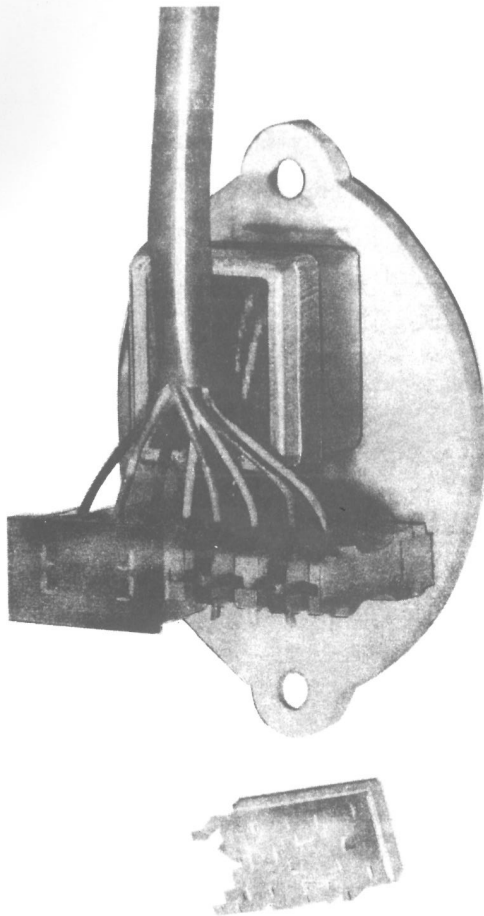


Fig. 2—102A Connecting Block, Rear View

3. INSTALLATION

3.01 For flush mounting, install a 102A connecting block. For surface mounting, install a 103A connecting block.

4. MAINTENANCE

4.01 Maintenance of the wiring arrangements covered in this section is limited to verification of the telephone company wiring and equipment and assurance that the required leads are supplied in the interface used for registered terminal equipment connections.



No attempt should be made to test, modify, or repair customer-owned and maintained equipment.

4.02 When in the judgment of repair personnel the trouble is located in or caused by the customer-provided equipment (CPE), the Repair Service Bureau should be notified so proper Maintenance of Service Charge Billing can be initiated as required and as outlined in Sections 660-101-312 — Maintenance of Service Charge on Services With Customer-Provided Equipment (CPE) (Manual Office) and 660-169-312 for Automated Repair Service Bureau (ARSB). In addition, if the equipment is unauthorized the procedures outlined in Section 660-101-316 — Tariff and Registration Violation Notice Procedures should be followed.

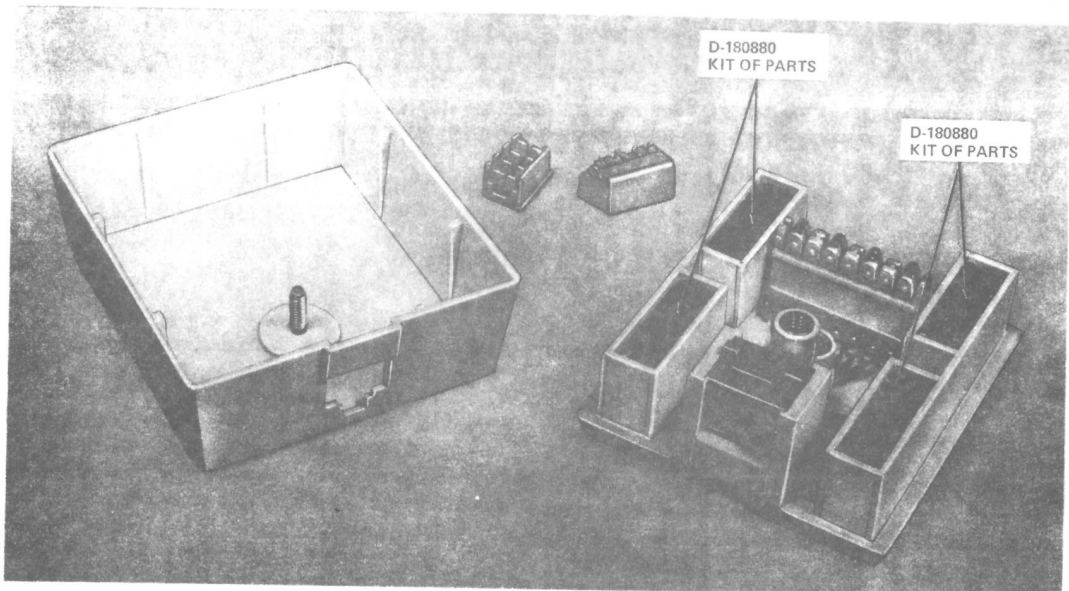


Fig. 3—103A Connecting Block

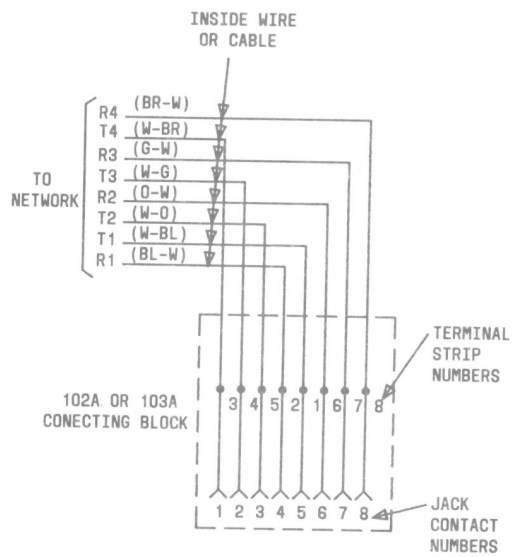


Fig. 4—Connections for USOC RJ61X Using 102A or 103A Connecting Block