

DIAL MOUNTINGS AND DIAL ADAPTERS

1. GENERAL

1.01 This section lists dial mountings and dial adapters and their uses in connection with various types of service.

1.02 This section is reissued to add information on 50A dial mountings.

1.03 Tables A and B describe and show uses of various dial mountings and adapters. All dial mounting screws are furnished with the dial adapters.

TABLE A
DIAL MOUNTINGS

Code No.	Description	Used with		Remarks
		Type Dial	Dial Adapter	
30A	A black bell-shaped metal mounting (Fig. 1, 2, and 4).	5 6*	52D or 52C 52D and 64A	Part of the 32A, 39A, and 40A dial mountings.
32A	Consists of a 30A mounting and a black metal base (Fig. 2).			For mounting a dial on a vertical surface.
34D	A black metal detachable mounting (Fig. 6).			Part of the 6000D mounting. Holds dial at a 20° angle.
39A-3	An assembly of a 30A mounting, 52D dial adapter, and an offset pedestal (Fig. 1).			Used with C1 hand set mounting. Part of 201-type hand telephone set. May be rotated to position dial with respect to the user.
40A	An assembly of a 30A mounting, 52D dial adapter, and a metal bracket (Fig. 4).			Used with the 4A key equipment. Arranged for fastening to the underside of desk top overhang.

* When a 6-type dial is used with an adapter, the longer screws which come with the 64A dial adapter are needed.

TABLE A (Cont)
DIAL MOUNTINGS

Code No.	Description	Used with		Remarks
		Type Dial	Dial Adapter	
43A	Consists of a metal housing, removable backplate, and base (Fig. 3).	5 6	None	Used with G-type hand set mounting. Part of 211-, 212-, and 213-type hand telephone sets. May be rotated and tilted to position dial with respect to the user.
44A	A black plastic detachable mounting provided with a 59B dial adapter.	5	59B	Part of the 6044A mounting. Holds dial at 37° angle. Mfr Disc. Replaced by 44B-3 mounting.
		6*	59B and 64A	
44B-3	A black plastic detachable mounting provided with a 59B dial adapter (Fig. 7).	5 6	59B	Part of the 6044B-3 mounting. Holds dial at 37° angle.
44B-43	A gray-beige plastic detachable mounting provided with a 59C dial adapter.	6	59C	
44B-45	Consists of a gray-green plastic frame with five contact springs, five screw terminals, and a 59C dial adapter.	6E, F, P	59C	Used in 6044B-45 dial mounting as part of private service systems associated with JCSAN/COPAN networks.
44C-3	A black plastic detachable mounting provided with a 59B dial adapter (Fig. 8).	6	59B	Part of the 6044C-3 mounting. Holds dial at 37° angle.
45A	A gray metal mounting provided with a 59C dial adapter (Fig. 10).	6E-41	59C	For mounting dial at 45° angle on a 520-type PBX switchboard.
46A-3	Consists of a black P-81H400 plastic housing, P-11E673 adapter, and P-11E670 terminal block (Fig. 11).	7K	None	For mounting dial at 24° angle on modular telephone panels. Adapter may be mounted in the housing in any one of eight positions.
47A	Consists of a P-11E709 formed metal adapter equipped with a 59B dial adapter (Fig. 13).	6J-58	59B	For mounting dial flush on modular telephone panels.
48A	Consists of a P-11E713 formed metal adapter equipped with a P-11E671 terminal strip (Fig. 14).	7H	None	For mounting dial flush on modular telephone units.
50A	Consists of a P-27E470 bracket and a P-89C900 housing. Available in black (-3) or gray-beige (-43) (Fig. 5).	25K3	None	For mounting a 25K3 TOUCH-TONE dial on a PBX switchboard.

* When a 6-type dial is used with an adapter, the longer screws which come with the 64A dial adapter are needed.

TABLE A (Cont)
DIAL MOUNTINGS

Code No.	Description	Used with		Remarks
		Type Dial	Dial Adapter	
6000D	An assembly of a 34D dial mounting, 25B connecting block, D5AH cord, and appropriate dial adapters (Fig. 6).	5	52D	For mounting dial at 20° angle on telephone switchboard.
		6*	52D and 64A	
6044A	An assembly of a 44A dial mounting, 25B connecting block, D5AD cord, and appropriate dial adapters.	5	59B	For mounting dial at 37° angle on telephone switchboard. Mfr Disc. Replaced by 6044B-3 mounting.
		6*	59B and 64A	
6044B-3	An assembly of a 44B-3 dial mounting, 59B dial adapter, 25B connecting block, and D5AH cord (Fig. 7).	5 6	59B	For mounting dial at 37° angle on telephone switchboard.
6044B-43	An assembly of a 44B-43 dial mounting, 59C dial adapter, 25B connecting block, and D5AH cord.	6	59C	For mounting dial at 37° angle on 608A PBX switchboard.
6044B-45	An assembly of a 44B-45 dial mounting, 59C dial adapter, 25B connecting block, and D5AH cord.			For mounting dial at 37° angle. Used primarily on private service systems associated with JCSAN/COPAN networks at Air Force installations.
6044C-3	An assembly of a 44C-3 dial mounting, 59B dial adapter, 25C connecting block, and D5AJ cord (Fig. 8).		59B	For mounting dial at 37° angle on 555-type PBX switchboards and 6A order turrets.
6044D-3	An assembly of a 44D-3 dial mounting, 59D dial adapter, 25D connecting block, and D6AE cord (Fig. 9).	6J 6K 6L	59D	For mounting dial at 37° angle. Used primarily on IS Automatic Call Distributors, 4A key equipment, and PBX installations.

* When a 6-type dial is used with an adapter, the longer screws which come with the 64A dial adapter are needed.

TABLE B
DIAL ADAPTERS

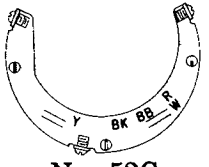
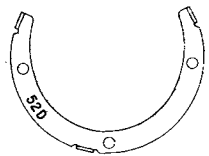
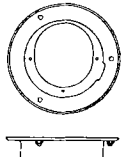
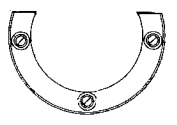
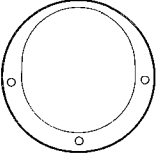
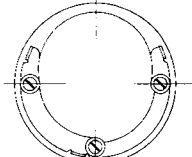
Code Description	Used with		Remarks
	Type Dial	Dial Mounting	
 No. 52C	5	30A 32A 34D 39A-3 40A 6000D	Mfr Disc. Replaced by 52D adapter.
 No. 52D (See Fig. 1, 4, 6)	5 6	30A 32A 34D 39A-3 40A 6000D	Replaces 52B and C adapters. The 64A adapter must be used with the 6-type dial.
 No. 56A	5	None	Mfr Disc. Replaced by 63A adapter for coin collector use, and replaced by 56B adapter for use on 300-, 320-, and 325-type telephone sets.
No. 56B (See Fig. 15)	5 6	None	Used on 300-, 320-, 325-, and 525-type telephone sets. Includes nuts for attaching the 147B numberplate. The 58A dial adapter must be used on the 300- and 325-type telephone sets.
No. 58A (See Fig. 15)			Used with 56B adapter on the 300-, 325-, and 525-type telephone sets. Includes screws, nuts, and washers necessary for mounting.
 No. 59A Soft Rubber Gasket			Used with 300-, 400-, 5300-, and 5400-type telephone sets.

TABLE B (Cont)
DIAL ADAPTERS

Code Description	Used with		Remarks
	Type Dial	Dial Mounting	
 No. 59B Soft Rubber Gasket (See Fig. 7, 8, & 13)	5 6	44A 44B-3 44C-3 47A 6044A 6044B-3 6044C-3	Also part of the 62B dial adapter.
No. 59C Soft Rubber Gasket (See Fig. 10)	6	44B-43 44B-45 45A 6044B-43 6044B-45	Used to mount a 6-type dial on 44B-43, 44B-45, 45A, 6044B-43, and 6044B-45 dial mountings.
No. 59D Soft Rubber Gasket (See Fig. 9)	6J 6K 6L	6044D-3	Used to mount 6J, 6K, and 6L dials on a 6044D-3 dial mounting.
 No. 62B	5 6	6000J	Replaces 62A adapter. Used on the 6000J dial mounting.
No. 63A-3 (See Fig. 12 and Note)		None	Replaces 56A adapter for coin collector use. Used with 158B numberplate. Designed to eliminate the need of coin deflectors. Also available in green (-51) and light beige (-60).
No. 64A Plastic Spacer Ring (See Fig. 1, 4, & 6)	6	30A 32A 39A-3 40A 6000D 6044A 44A	Used to mount the 6-type dial on 30A, 32A, 39A-3, 40A, 44A, 6000D, and 6044A dial mountings.

Note: The 63A adapter now has larger holes to fit larger studs on the 158B numberplate. The redesigned 63A is identified by a 1/8-inch round projection or depression adjacent to the code number. The 63A adapter with the larger holes must be used with the 158B numberplate having the larger studs.



Fig. 1 – 39A-3 Dial Mounting and Associated Dial

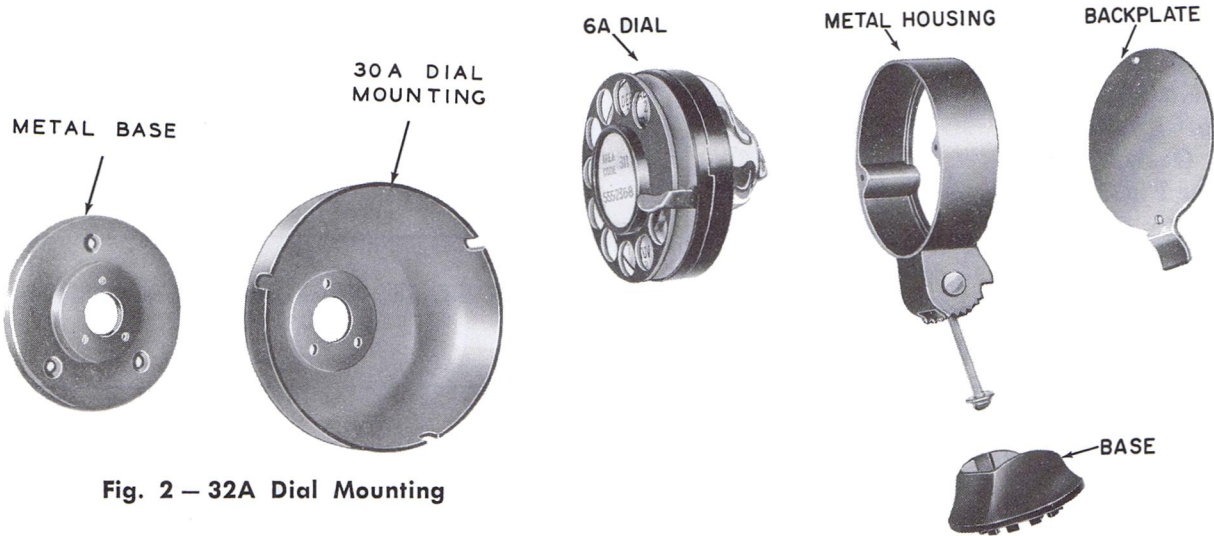


Fig. 2 – 32A Dial Mounting

Fig. 3 – 43A Dial Mounting and Associated Dial

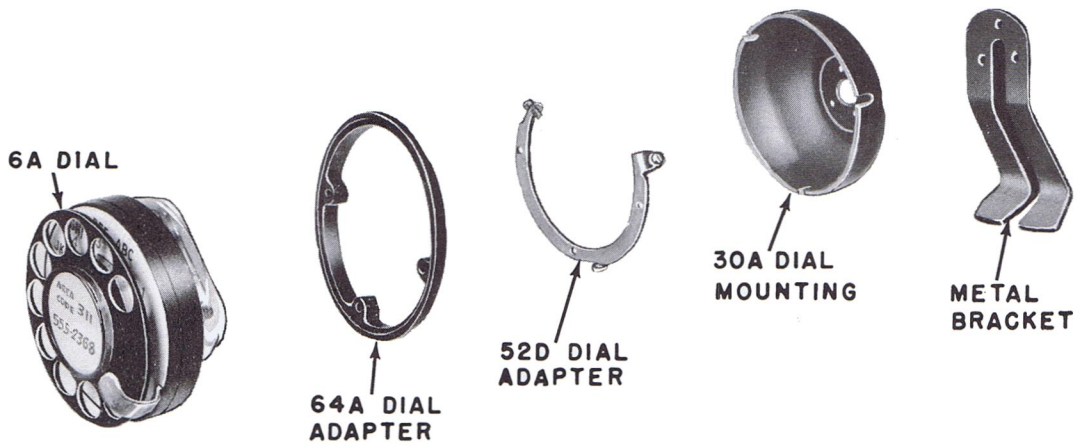


Fig. 4 – 40A Dial Mounting and Associated Dial

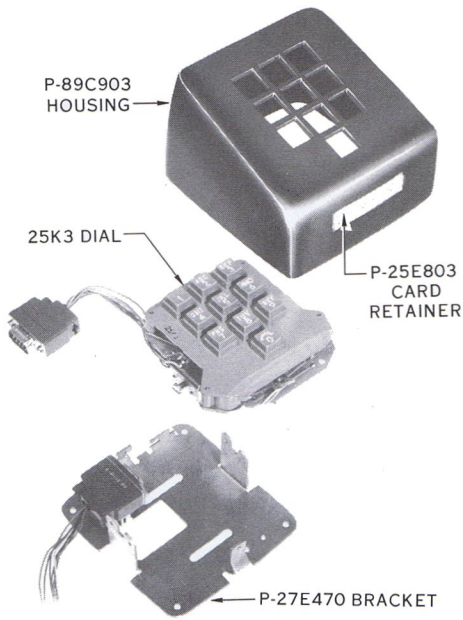


Fig. 5 – 50A Dial Mounting and Associated Dial

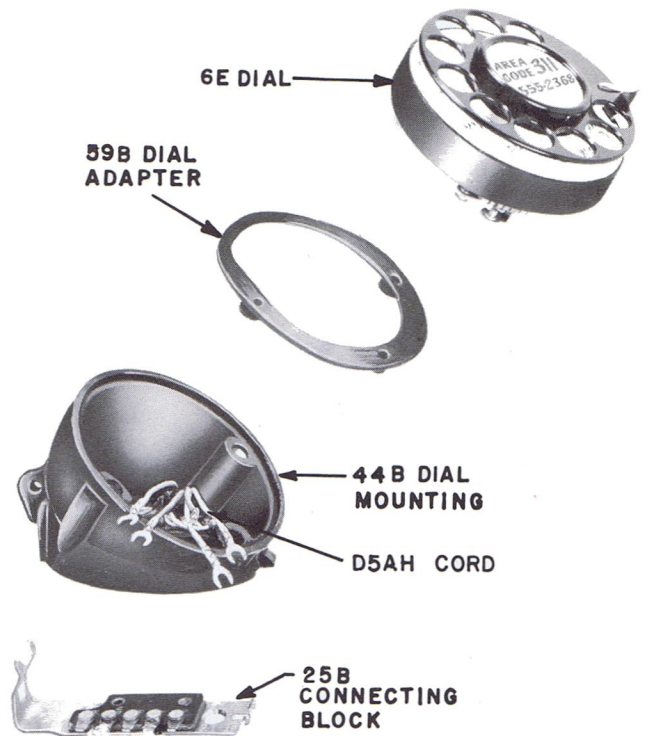


Fig. 7 – 6044B-3 Dial Mounting and Associated Dial

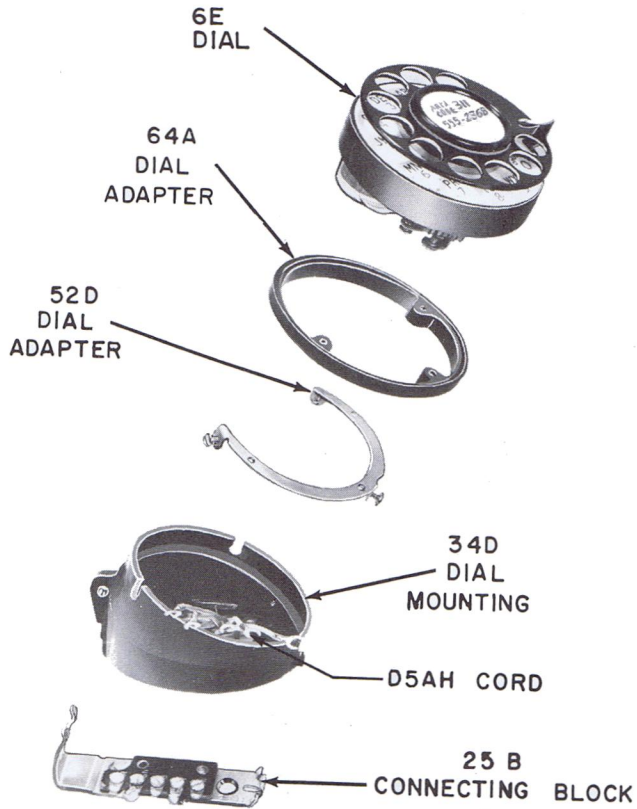


Fig. 6 – 6000D Dial Mounting and Associated Dial

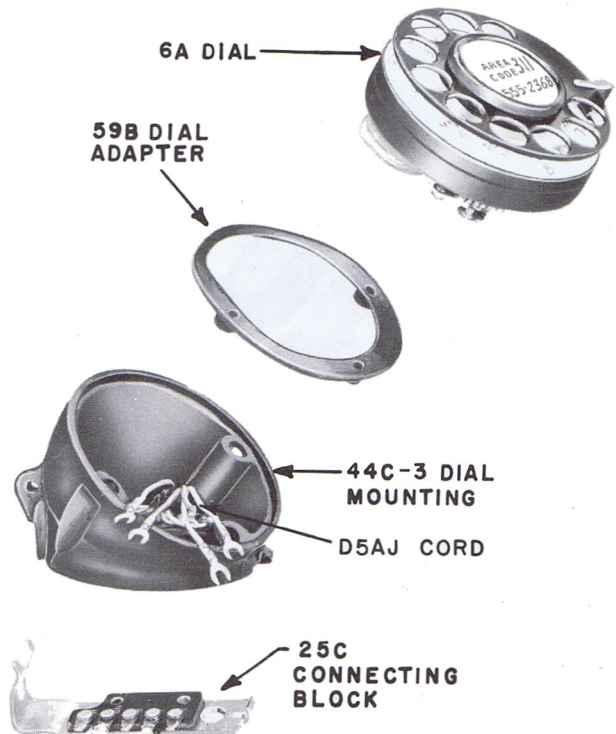


Fig. 8 – 6044C-3 Dial Mounting and Associated Dial

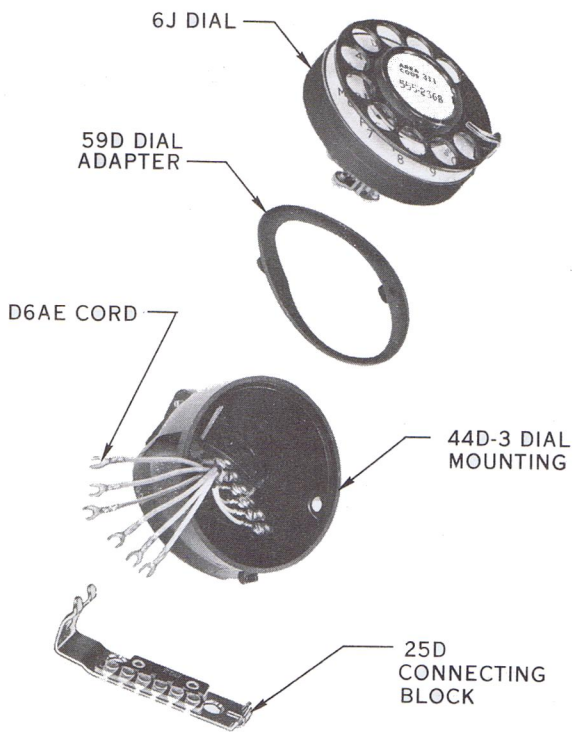


Fig. 9 – 6044D-3 Dial Mounting and Associated Dial



Fig. 11 – 46A-3 Dial Mounting and Associated Dial



Fig. 12 – 63A Dial Adapter



Fig. 10 – 45A Dial Mounting and Associated Dial

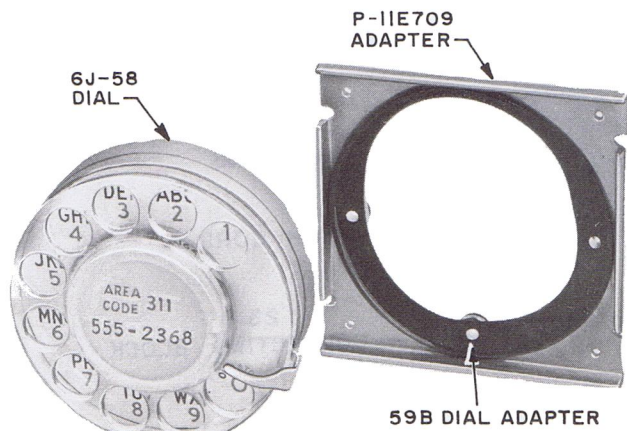


Fig. 13 – 47A Dial Mounting and Associated Dial

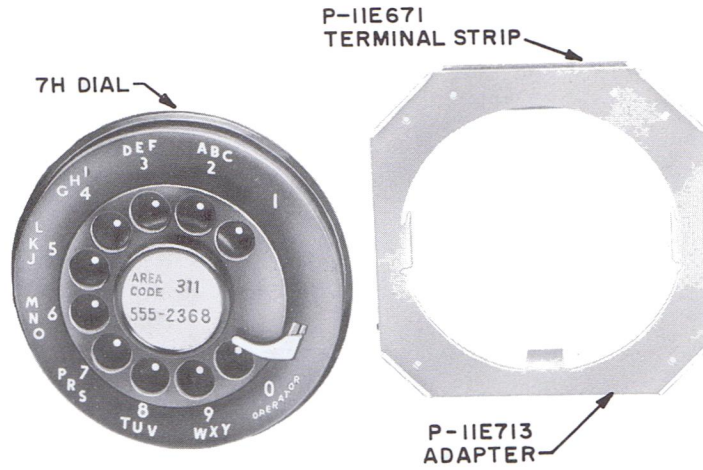


Fig. 14 – 48A Dial Mounting and Associated Dial

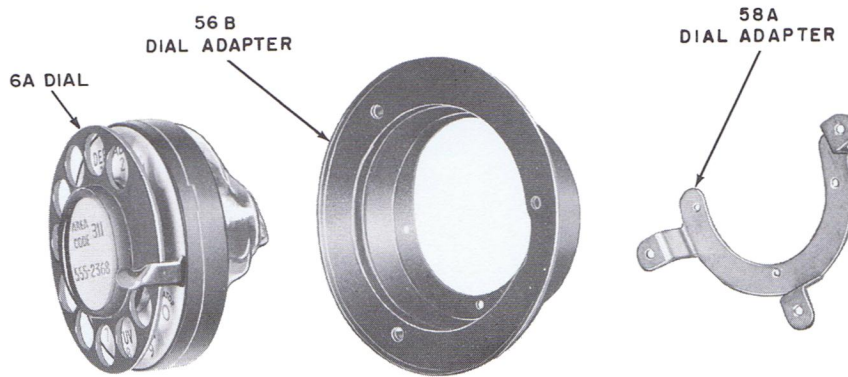


Fig. 15 – 56B and 58A Dial Adapters and Associated Dial