

STATION DIALS

1036 AND F-56310 TYPES

IDENTIFICATION AND CONNECTIONS

1. GENERAL

1.01 These dials are intended for use with any standard rotary dial telephone set to provide for manual and automatic TOUCH-TONE® signaling.

1.02 This section is reissued to show connections for 1036E dial to 636CA and 637DA telephone set (Fig. 8).

2. IDENTIFICATION

ORDERING GUIDE

- Dial, 1036D-* (MD)
- Dial, F-56310-* (MD)
- Dial, 1036E-*

Note: The 1036D (MD) and F-56310 (MD) dials are similar (Fig. 1). Initial production dials were coded F-56310 and later models 1036D. The 1036E dial (Fig. 2) differs in appearance only in the marking of the two special service buttons. An * and a # designation are used on the lower left and right buttons, respectively. For electrical difference, refer to design features.

(a) Replaceable Components

- Cord, Mounting, D14M-87
- Dial, 36D (MD) (1036D, F-56310)
- Dial, 36E (1036E)
- Diode, 419A Polarity Guard (1036D, F-56310)
- Network, 185A†

- 811353630 (P-13E363) Card Index Set
- 812167526 (P-21F752) Card Set (1036E)
- 812853828 (P-28E382) Card Set (1036D, F-56310)
- Housing Assembly (Table A)
- Faceplate (Table A)
- 819040122 (Polarity Guard (1036E)

*Add appropriate color suffix.

† Order separately for 1036D and F-56310 (MD) dials, shipped loose with 1036E dial.



Fig. 1—1036D (MD) and F-56310 (MD) Dial

NOTICE

Not for use or disclosure outside the
Bell System except under written agreement

◆ TABLE A ◆

ORDERING GUIDE

HOUSING ASSEMBLY				COORDINATED COLOR FACEPLATE			
COLOR	SUFFIX	P-NUMBER	COMCODE	COLOR	SUFFIX	P-NUMBER	COMCODE
Black	(03)	P-83E603	818356032	Charcoal	(70)	P-86D870	818648701
Ivory	(50)	P-83E650	818356503	Muted Ivory	(80)	P-86D880	818648800
Green	(51)	P-83E651	818356511	Lt. Green	(71)	P-86D871	818648719
Red	(53)	P-83E653	818356537	Muted Red	(69)	P-86D869	818648693
Yellow	(56)	P-83E656	818356560	Lt. Yellow	(72)	P-86D872	818648727
White	(58)	P-83E658	818356586	Lt. Gray	(73)	P-86D873	818648735
Lt. Beige	(60)	P-83E660	818356602	Muted Beige	(75)	P-86D875	818648750
Aqua Blue	(62)	P-83E662	818356628	Muted Blue	(76)	P-86D876	818648768



Fig. 2—1036E Dial

DESIGN FEATURES

- TOUCH-TONE dial and card dialer combination
- Used with rotary set for end-to-end signaling
- Equipped with polarity guard to assure operation in case of line reversals (1036E dial)

- Expanded common switch for speakerphone operation (1036E)
- Manual dialing while a card is in a stop position (1036E)
- 2- and 4-wire operation of the associated telephone set (1036E)

APPLICATION

- For use in conjunction with a standard rotary dial telephone set

3. CONNECTIONS



If trouble is experienced with false signals being transmitted due to voice conversation pickup, use exclusion switch to provide for transmitter cutoff. Connect the transmitter circuit through a contact of the exclusion switch so that the circuit is open when the exclusion switch is operated. Refer to Section 501-230-101.

3.01 When the 1036D dial is connected to a telephone set using speakerphone the TOUCH-TONE dial may be rendered inoperative

after the called party answers due to the battery reversal of some central offices. In this case the 1036E dial should be used.

3.02 Connection Index

Fig. 3—1036D (MD) Dial, Typical Connections To Nonkey Telephone Set

Fig. 4—1036E Dial, Typical Connections To Nonkey Telephone Set

Fig. 5 —1036E Dial, Connections To 212L Hand Telephone Set

Fig. 6—1036E Dial, Connections To 565HK Key Telephone Set

Fig. 7—1036E Dial, Connections To 630-Type Telephone Set

Fig. 8—1036E Dial, Connections To 636CA or 637DA Telephone Set

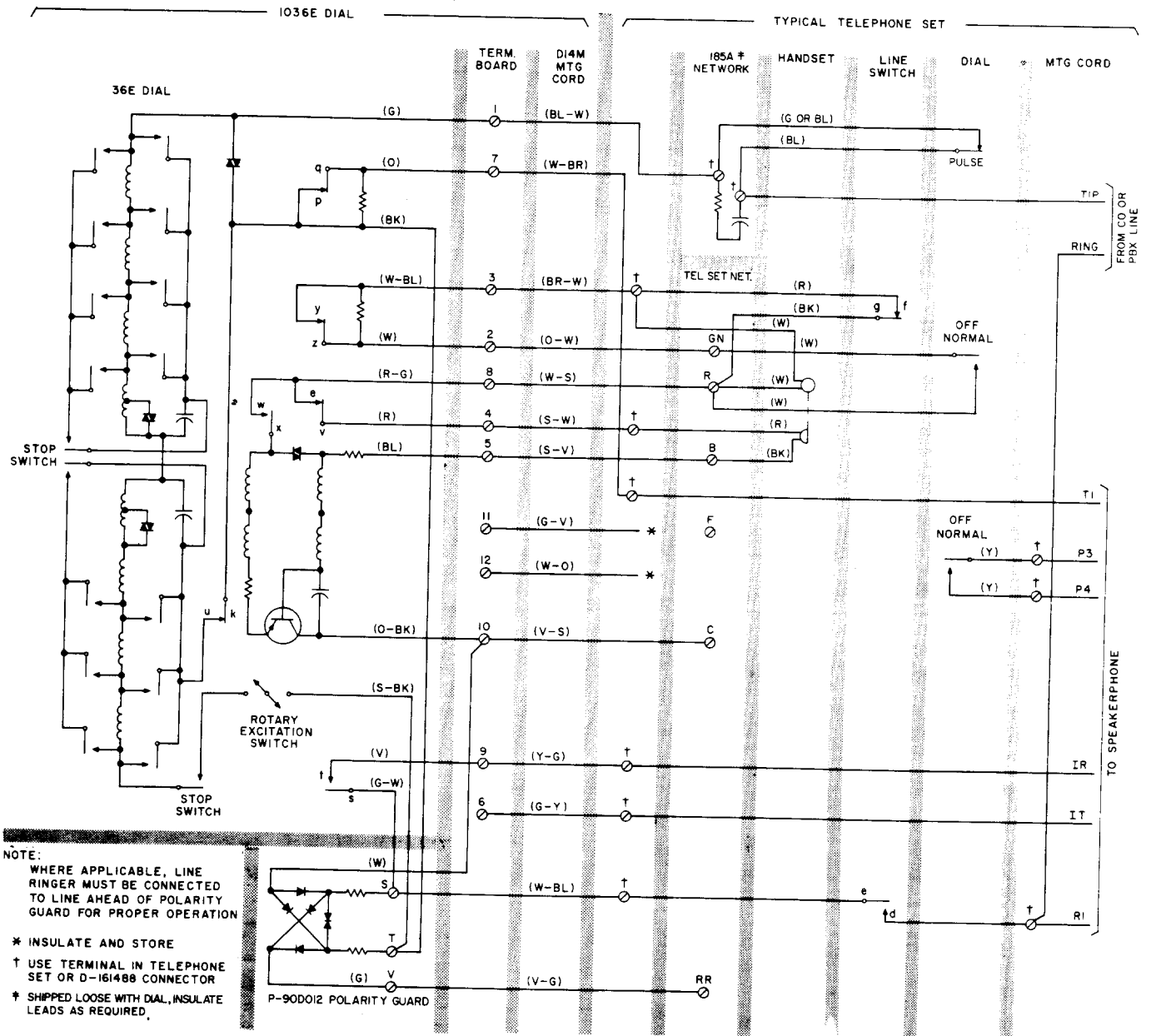
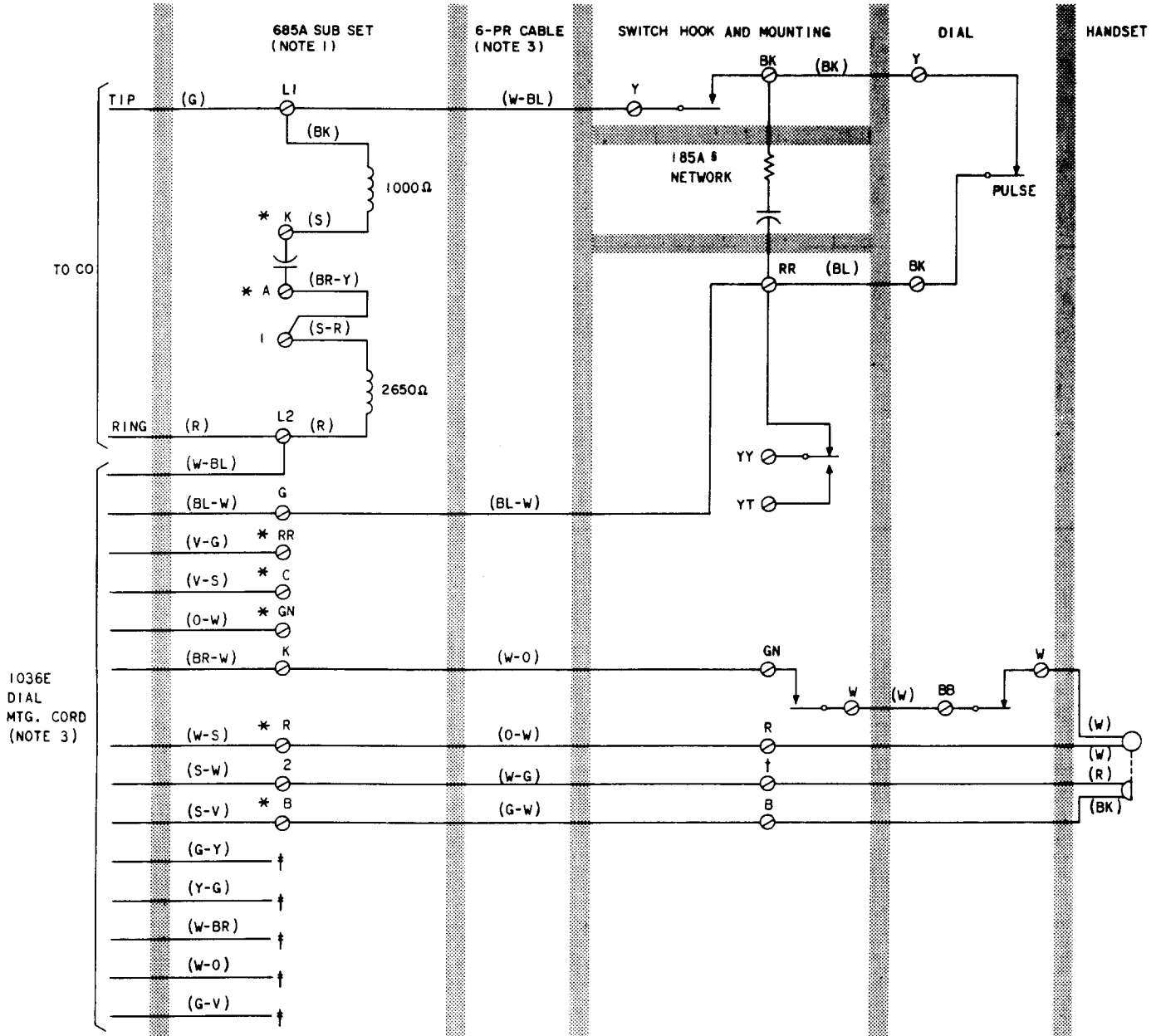


Fig. 4—1036E Dial, Typical Connections to Nonkey Telephone Set

212L HAND TELEPHONE SET (NOTE 2)



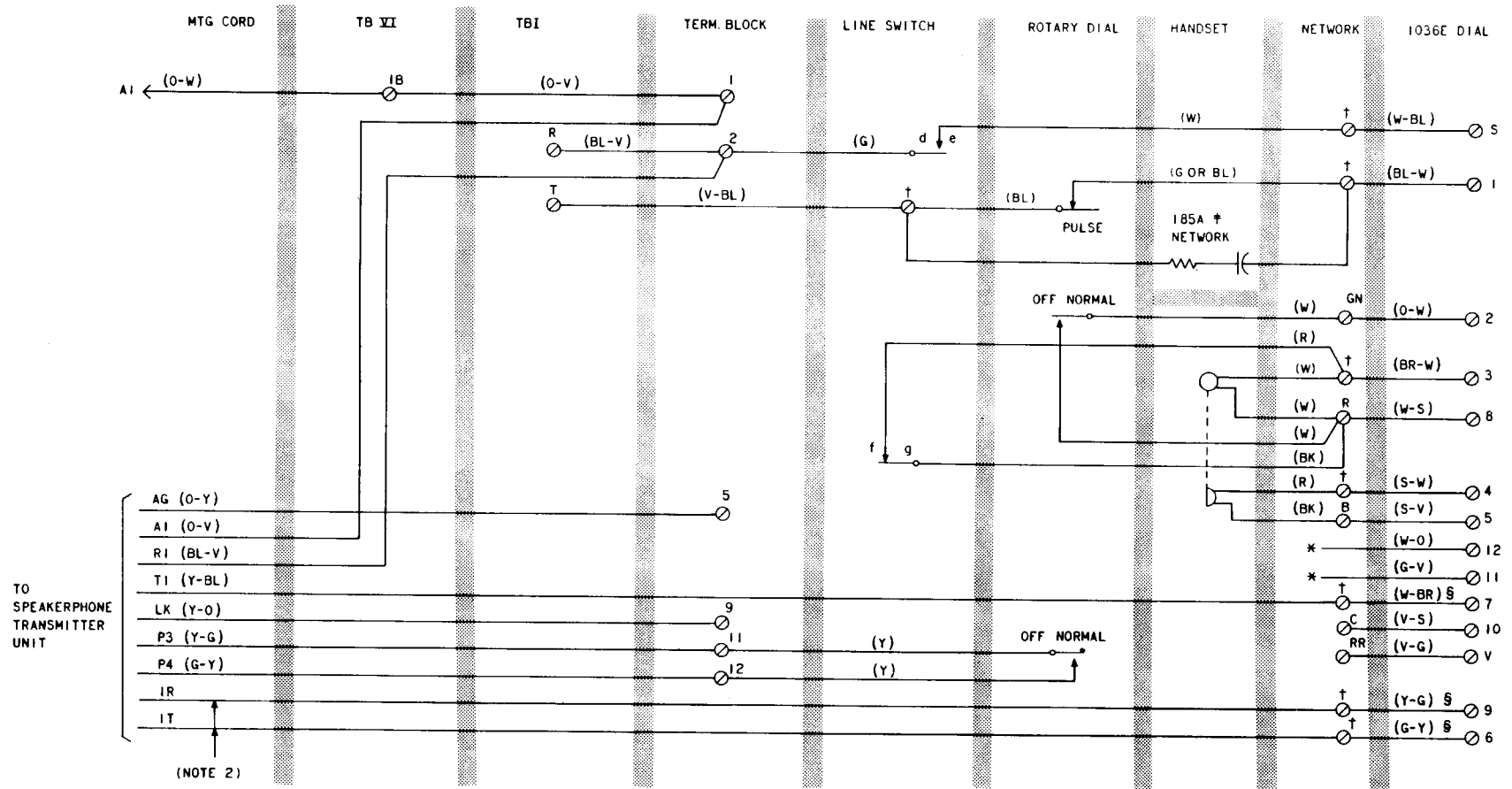
NOTES:

1. MODIFY 685A SUBSCRIBER SET AS FOLLOWS:
 - A. REMOVE (BL) LEAD FROM L1, INSULATE AND STORE
 - B. REMOVE (BK) RINGER LEAD FROM TERMINAL G AND CONNECT TO L1
 - C. REMOVE (BR) [S-BR] LEAD FROM TERMINAL 2, INSULATE AND STORE
2. MODIFY 212L HAND TELEPHONE SET AS FOLLOWS:
 - A. REMOVE (BL) DIAL LEAD FROM BL TERMINAL OF SWITCH HOOK AND MOUNTING AND CONNECT TO RR TERMINAL OF SWITCH HOOK AND MOUNTING
 - B. REMOVE (R) HANDSET LEAD FROM R TERMINAL OF SWITCH HOOK AND MOUNTING AND CONNECT TO SPARE TERMINAL OR D-161488 CONNECTOR
3. CONNECT MOUNTING CORD LEADS FROM 1036E DIAL AND 6-PAIR CABLE AS SHOWN.

- * NETWORK TERMINAL
- † SPARE TERMINAL OR D-161488 CONNECTOR
- ‡ INSULATE AND STORE
- § SHIPPED LOOSE WITH DIAL, INSULATE LEADS AS REQUIRED

Fig. 5—1036E Dial, Connections to 212L Hand Telephone Set

630-TYPE TELEPHONE SET (NOTE 1)



NOTES:

1. MODIFY 630 TYPE TELEPHONE SET AS FOLLOWS:
 - A. REMOVE (W) LINE SWITCH LEAD FROM C OF NETWORK AND CONNECT TO (W-BL) LEAD OF DIAL.
 - B. REMOVE (BL) ROTARY DIAL LEAD AND (V-BL) STRAP FROM F OF NETWORK, CONNECT THESE LEADS TOGETHER WITH ONE LEAD FROM 185A NETWORK.
 - C. REMOVE (G OR BL) ROTARY DIAL LEAD FROM RR OF NETWORK AND CONNECT TO (BL-W) DIAL LEAD AND OTHER LEAD FROM 185A NETWORK.
 - D. REMOVE (R) LINE SWITCH LEAD AND (W) HANDSET LEAD FROM GN OF NETWORK AND CONNECT TO (BR-W) LEAD OF DIAL.
 - E. REMOVE (R) HANDSET LEAD FROM R OF NETWORK AND CONNECT TO (S-W) OF DIAL.
 - F. MOVE (Y-BL) TRANSMITTER LEAD FROM RR OF NETWORK AND CONNECT TO (W-BR) LEAD OF DIAL.
 - G. CONNECT BALANCE OF 1036E DIAL LEADS AS SHOWN.
2. USE SPARE PAIRED MOUNTING CORD CONDUCTORS FROM 3RD OR 5TH MODULE.

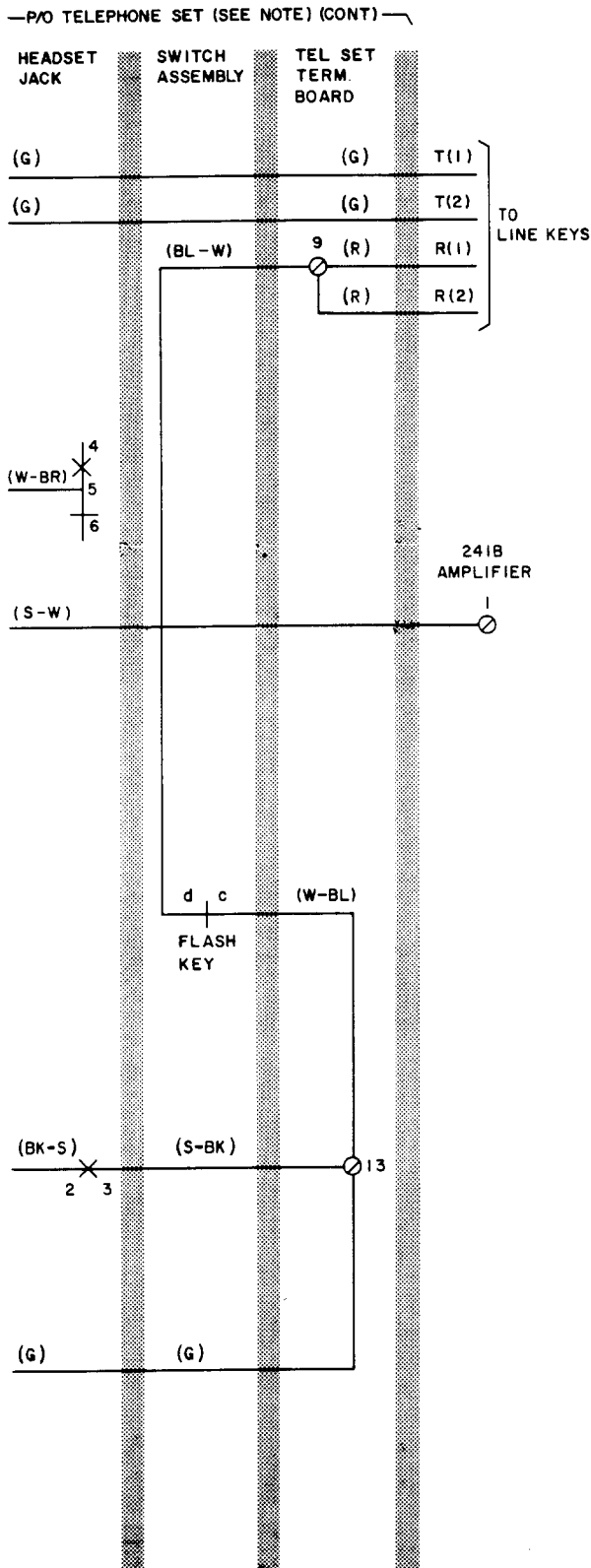
* INSULATED AND STORED

† SPARE TERMINALS OR D 161488 CONNECTORS

‡ SHIPPED LOOSE WITH DIAL, INSULATE LEADS AS REQUIRED.

§ IF SPEAKERPHONE IS NOT PROVIDED, INSULATE AND STORE (W-BR), (Y-G), AND (G-Y) 1035C3A DIAL LEADS IN TELEPHONE SET.

Fig. 7—1036E Dial, Connections to 630-Type Telephone Set



NOTE:

- MODIFY THE TELEPHONE SET AS FOLLOWS USING SPARE TERMINALS OR D-161488 CONNECTORS WHERE INDICATED:
- ON THE TELEPHONE SET, DISCONNECT THE (G) DIAL LEAD FROM NETWORK TERMINAL RR AND CONNECT IT TO THE (BL-W) LEAD OF THE 1036E DIAL. DISCONNECT THE (BL) DIAL LEAD AND TWO (G) LEADS FROM NETWORK TERMINAL F. CONNECT THE THREE LEADS USING A SPARE TERMINAL.
 - CONNECT THE (W-S) LEAD OF THE 1036E DIAL TO NETWORK TERMINAL R.
 - CONNECT THE (S-V) DIAL LEAD TO NETWORK TERMINAL B.
 - DISCONNECT THE (W) LINE SWITCH LEAD AND (BK-S) HEADSET JACK LEAD FROM NETWORK TERMINAL C. CONNECT THE (W) LINE SWITCH LEAD AND THE (BK-S) HEADSET JACK LEAD TO THE (W-BL) DIAL LEAD.
 - CONNECT THE (V-S) DIAL LEAD TO NETWORK TERMINAL C.
 - CONNECT THE (V-G) DIAL LEAD TO NETWORK TERMINAL RR.
 - INSTALL 185A NETWORK AS SHOWN.
 - ON THE 241B AMPLIFIER, DISCONNECT THE (W), (R-G) AND TWO (BR-R) LEADS FROM TERMINAL I AND CONNECT THEM TO TERMINAL 5.

*-INSULATE AND STORE.

†-SPARE TERMINAL OR D-161488 CONNECTORS.

‡-SHIPPED LOOSE WITH 1036E DIAL.

Fig. 8—1036E Dial, Connections to 636CA or 637DA Telephone Set (Sheet 2 of 2)