

1200AT1 TOUCH-A-MATIC® 12 ADJUNCT DIAL

IDENTIFICATION, INSTALLATION, CONNECTIONS, OPERATION, AND MAINTENANCE

1. GENERAL

- 1.01** This section contains information on the 1200AT1 TOUCH-A-MATIC 12 Adjunct Dial.
- 1.02** Whenever this section is reissued, the reason for reissue will be listed in this paragraph.
- 1.03** This dial is factory-wired to interface with a modular single line or two line (first line only) telephone set equipped for TOUCH-TONE® service (Fig. 1). The dial cannot be used where A lead control is required, but can be used on party line service.
- 1.04** It is available in all the standard promoted colors, Table A. The faceplate provided with each dial is silver.

TABLE A

COLOR ORDERING GUIDE

COLOR	SUFFIX	BATTERY COVER
Black	-03	841399264
Ivory	-50	841399272
Green	-51	841399280
Red	-53	841399298
Yellow	-56	841399306
White	-58	841399256
Beige	-60	841399314
Blue	-62	841399322
Brown	-104	841399330
Rust	-124	841399348



Fig. 1—Adjunct Dial and Associated Telephone Set

2. IDENTIFICATION

2.01 The dial provides automatic dialing of up to 12 frequently called telephone numbers. A number up to 16-digits in length can be stored.

2.02 Design Features:

- Modular unit
- Solid state circuit memory
- Will automatically dial up to 12 preprogrammed telephone numbers
- Will store up to 16-digits per number
- Capability to record, change, or delete numbers in memory
- Single button dialing and directory space for each telephone number

NOTICE

Not for use or disclosure outside the Bell System except under written agreement

- Has an internal S1 Sounder unit which provides tones for dialing, indicating proper recording procedures, and for checking the battery
- Battery powered (customer replaceable)
- Recording can be done with handset on- or off-hook. Off-hook recording does not interfere with conversation
- Record button protected during normal use by faceplate to prevent inadvertent erasure of stored numbers
- Can be used as a data input device for end-to-end signaling.

2.03 **Operating Features:**

- 12-button memory field with low force, short travel nonlocking buttons
- RECORD ON/OFF button (top button when faceplate is removed), when momentarily depressed places adjunct dial in the record mode, subsequent operation terminates the recording mode.

2.04 **Ordering Guide:**

- (a) The 1200AT1 dial is a modular type adjunct dial and may be ordered as follows.
- Dial, 1200AT1-* (includes the following):
 - Faceplate, 1200A1-122 (silver)
 - Customer Instruction Booklet, CIB-2502F
 - Battery, KS-21618L2 (9-volt)
 - Cord, Mounting, D4BU-29 (2-foot)
 - 841386352 Directory Marker (color dots)
 - 841396559 Directory Sheet (double-sided).
- (b) **Replaceable Components:**
- Alkaline Battery, 9-volt (subscriber replacement only)

*Add color suffix, Table A.

- Cord, Mounting, D4BU-29 (2-foot)
- Faceplate, 1200A1-122 (silver)
- 841396559 Directory Sheet (double-sided)
- Cover, Battery (Table A).

(c) **Optional Apparatus, ordered separately (D-180882 Kit of Parts) includes the following:**

- Adapter, 304A
- Cord, Mounting, D8AA-87 (7-foot)

3. **INSTALLATION AND CONNECTIONS**

3.01 There are three types of installations—standard, optional, and special.

A. **Standard Installation**

3.02 Assure that the central office (CO) line is terminated into a connecting block which will accept a standard modular D4BU mounting cord.

3.03 This adjunct dial is shipped with a 9-volt alkaline battery which is to be connected at the time of installation. Remove the battery cover located on bottom side of dial and make the necessary connection (Fig. 2). The battery should last a year under normal telephone usage.

Note: All subsequent batteries will be provided and installed by the subscriber. If service is discontinued, disconnect and discard the battery.

3.04 Plug one end of the standard D4BU mounting cord into LINE jack located under battery cover of the dial and other end into connecting block from CO. Plug one end of the two-foot D4BU telephone set mounting cord (furnished with the dial) into the PHONE jack on adjunct dial and plug other end of the cord into the telephone set mounting cord jack (Fig. 3).

3.05 Dress the two (2) cords flatwise in the cord channel under the cord retaining tab and replace the battery cover (Fig. 2).

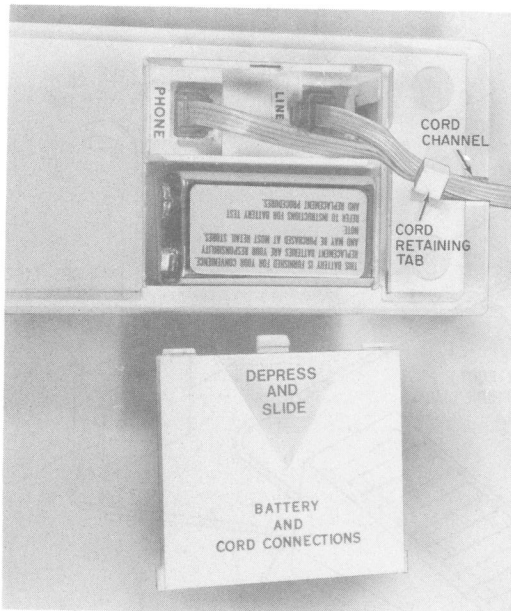


Fig. 2—Location of Battery and Cords

3.06 For proper illumination of incandescent dial lamp in associated telephone set, the total length of modular mounting cords may be limited. Refer to Section 502-303-101 for TRIMLINE® telephone sets and Section 502-703-101 for PRINCESS® telephone sets.

Caution: *If the mounting cords are reversed at the adjunct dial, you cannot break dial tone.*

B. Optional 304A Adapter Installation

3.07 To allow for customer portability, a D-180882 Kit of Parts (ordered separately) can be installed as follows.

- (1) Plug the 304A adapter (Fig. 4) into a 625-type connecting block or equivalent.
- (2) Plug one end of the D8AA mounting cord into the larger (8-conductor) jack on the adapter and other end of the cord into the LINE jack located under the battery cover of the adjunct dial (Fig. 5).

- (3) Plug one end of the standard telephone set D4BU mounting cord into the adapter PHONE jack and the other end into the telephone set mounting cord jack.

Note: When disconnecting a dialer utilizing the D-180882 Kit of Parts, unplug the D8AA mounting cord from the 304A adapter. **Do not unplug mounting cord from the dialer as this will disconnect the telephone set from the incoming line.**

C. Special Installation

3.08 If an RJ32X USOC arrangement using a 635A (MD) or 635B connecting block is available, the dial can be directly connected using a D8AA mounting cord from the connecting block to the line jack on the dial. This arrangement provides a series tip and ring connection through the connecting block. Refer to Section 463-400-130 for additional information.

D. Installation Test

Associated Telephone Set

3.09 Manually dial the appropriate code for ring-back to test the telephone set ringer and to check that the telephone operates properly.

Adjunct Dial

3.10 To test the adjunct dial proceed as follows.

- (1) Record digits 1 through 9, *, 0, and # into first memory location (see paragraph 4.02).
- (2) From the subscribers telephone set, manually dial CO dial test and ringer circuit.
- (3) Depress the first memory button (where test information was recorded); verify that correct signal is returned from CO.

4. OPERATION

4.01 The buttons on the adjunct dial serve a dual purpose.

- (1) To select memory locations.
- (2) To be used as specific digits when recording a telephone number.

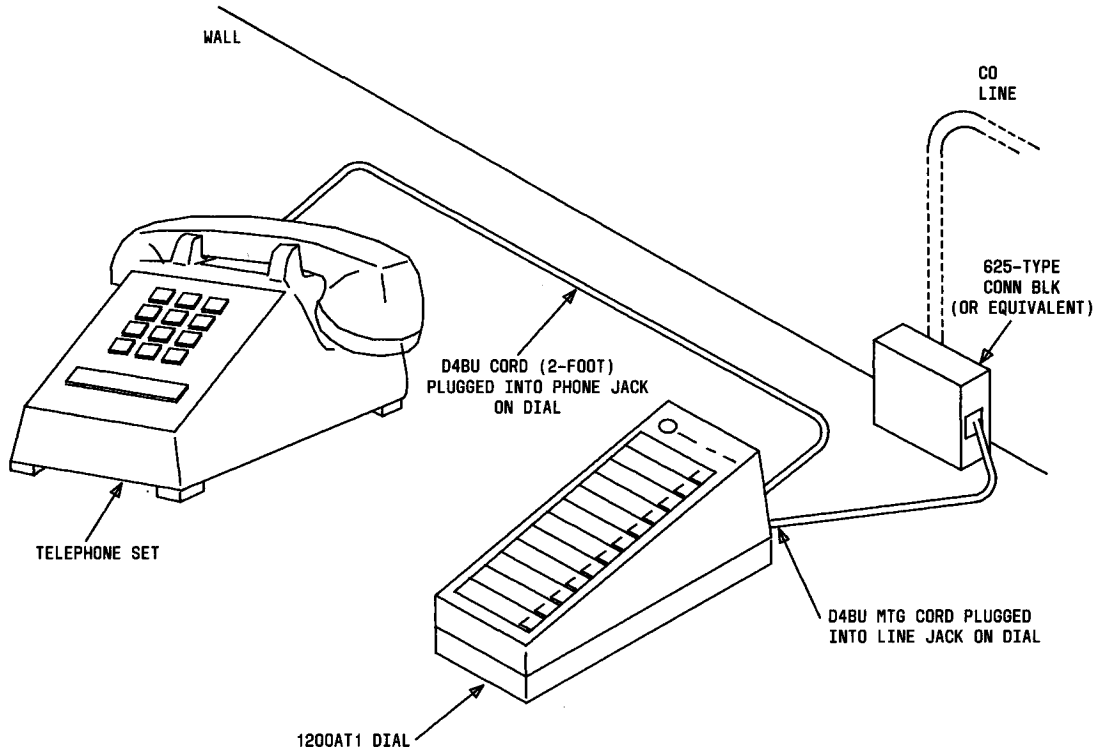


Fig. 3—Recommended Installation for Single Line Modular Desk Type Telephone Set

A. To Record a Number Into Memory

4.02 Perform the following operations in sequence.

- (1) Remove the adjunct dial faceplate (Fig. 6), using fingernail in slot at top.
- (2) Remove the directory sheet and write or type the desired name(s) and telephone number(s). Replace the directory sheet on the dial.

Note: The self-adhesive color dots are furnished with the dial so that the customer can place them on the directory sheet to emphasize or highlight important telephone numbers.

- (3) Momentarily depress the RECORD ON/OFF button (Fig. 7). (A constant tone will be heard.)
- (4) Momentarily depress the memory button adjacent to the desired name listed on the directory sheet. (A double interrupt of the tone will be heard.)
- (5) Manually dial the desired telephone number using the digit designations to the right of the memory buttons on adjunct dial. (The tone will interrupt momentarily as each digit is recorded.) A total of 16-digits can be recorded. If 16-digits are recorded the dial will beep three (3) times and automatically end the recording procedure.

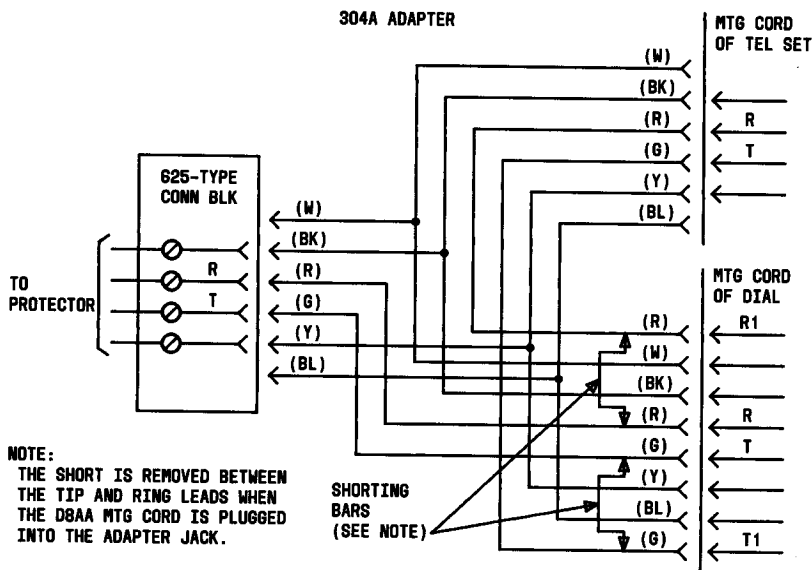


Fig. 4—Layout of 304A Adapter



If the dialer is inadvertently left in the record mode it will time out after about one (1) minute, give three (3) beeps, and automatically reset.

- (6) Momentarily depress the RECORD ON/OFF button. (The tone will cease and the dialer will be ready either for automatic dialing or to record another telephone number into memory.)
- (7) Replace the faceplate after all numbers have been recorded.

B. To Change a Number In Memory

4.03 When a new number is recorded in a previously used memory position it will automatically replace the previously stored number.

C. To Delete A Number From Memory

4.04 Perform the following operations in sequence.

- (1) Remove the adjunct dial faceplate.
- (2) Momentarily depress the RECORD ON/OFF button.
- (3) Depress the memory button corresponding to the name and telephone number to be deleted.
- (4) Momentarily depress the RECORD ON/OFF button.
- (5) Remove the persons name and telephone number previously written or typed on the directory sheet.

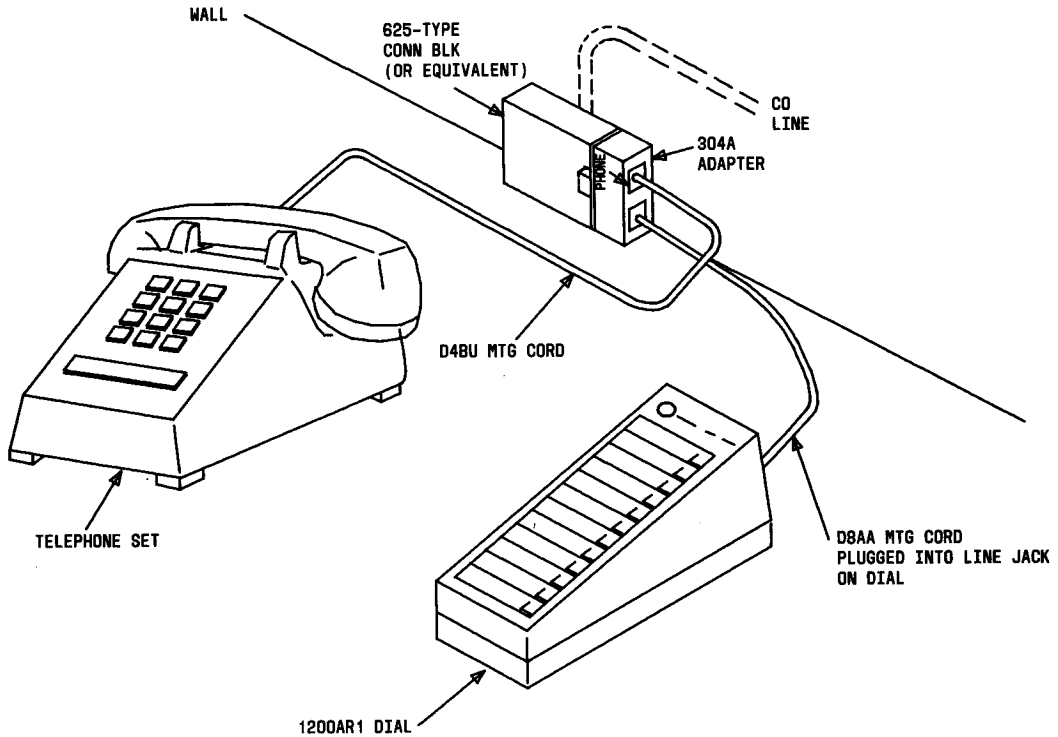


Fig. 5—Optional Installation for Single Line Modular Desk Type Telephone Set With D-180882 Kit of Parts

(6) Replace the faceplate.

D. To Automatically Dial A Number From Memory

4.05 To automatically dial a number.

- (1) Lift the handset off-hook and listen for dial tone.
- (2) Depress the desired memory button on the adjunct dial.

5. MAINTENANCE

5.01 Maintenance is limited to replacement of mounting cord, faceplate, directory sheet, and battery cover.

5.02 The battery is to be replaced by the customer. Refer to instruction label (Fig. 7) or Customer Instruction Booklet (CIB) for detailed battery testing and replacement procedures.

Caution: Telephone numbers stored in memory may be erased if battery is disconnected for longer than 1 minute during replacement.

5.03 If a dead battery is suspected, replace with a known good battery from another set. If the new battery clears trouble, retrieve the test battery and inform the customer a new battery is required.

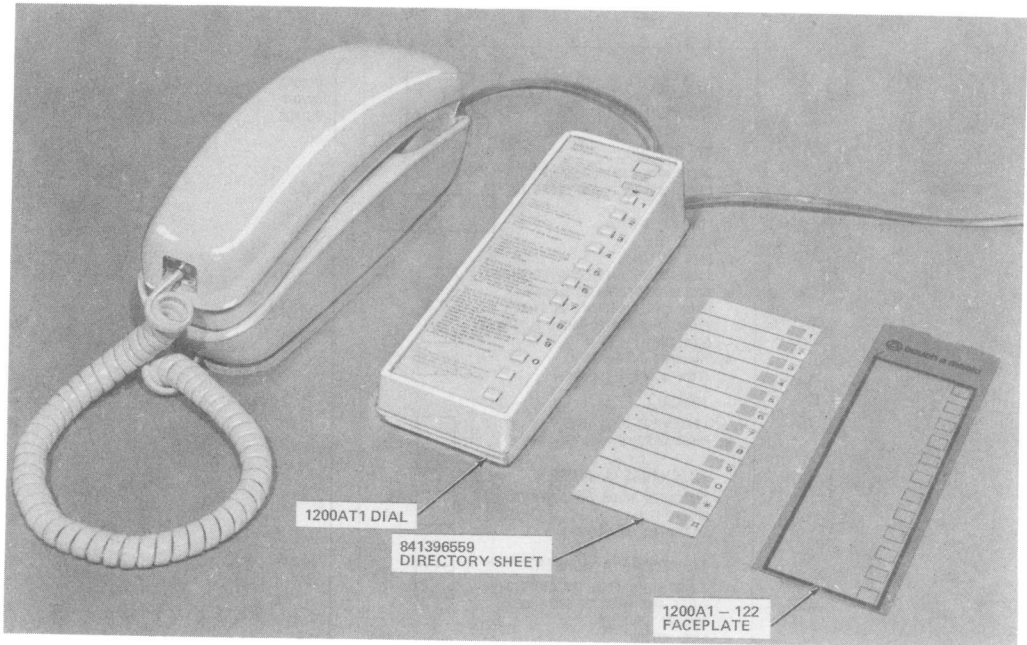


Fig. 6—1200AT1 Dial With Faceplate and Directory Sheet Removed

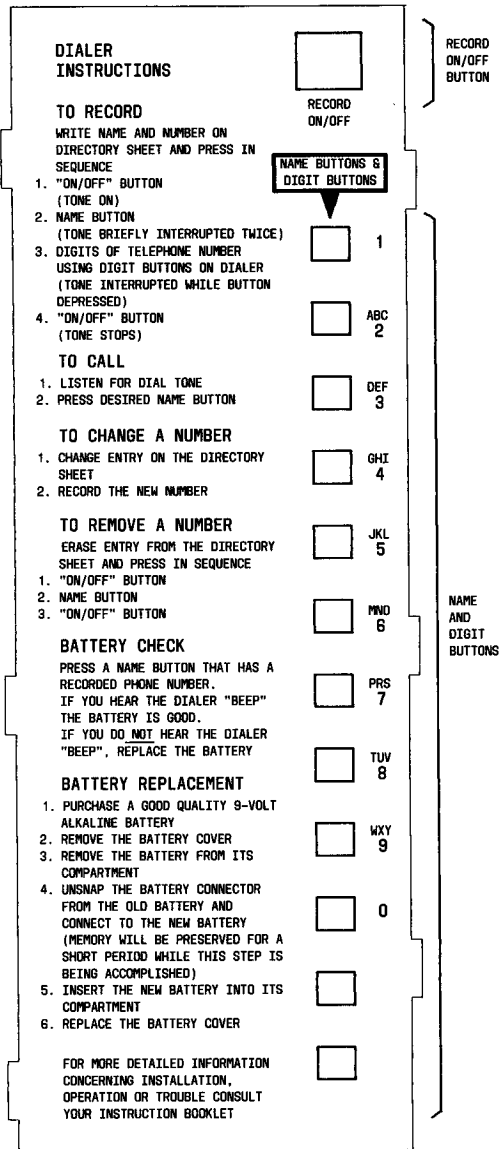


Fig. 7—Instruction Label