

1200AR1 AND 1200AT1 "TOUCH-A-MATIC" 12 AUTOMATIC DIALER IDENTIFICATION, INSTALLATION, CONNECTIONS, OPERATION, AND MAINTENANCE

1. GENERAL

1.01 This section contains information on the TOUCH-A-MATIC 12 automatic dialer (Fig. 1 and 2), coded 1200AR1 and 1200AT1 dials. Information on the 1200AR1 dial was formerly found in Section 501-164-204.

Warning: *This equipment generates, uses, and can radiate radio frequency energy and if not installed and used in accordance with the instructions manual, may cause interference to radio communications. It has been tested and found to comply with the limits specified for Class B computing devices pursuant to Subpart J of Part 15 of Federal Communications Commission (FCC) Rules, which are designed to provide reasonable protection against such interference when operated in a commercial environment. Operation of this equipment in a residential area is likely to cause interference in which case the user at their own expense will be required to take whatever measures may be required to correct the interference.*

1.02 The reasons for reissuing this section are listed below. Since this reissue is a general revision, no revision arrows have been used to denote significant changes.

- Add warning notice in compliance with FCC ruling, paragraph 1.01
- Include information on 1200AR1 dial.

1.03 These dialers are factory-wired to interface with a modular single line or two line (first line only) telephone set. The 1200AR1 dial is used for rotary or TOUCH-TONE® service, and the 1200AT1 dial is used only with TOUCH-TONE service. These

dialers cannot be used where A lead control is required, but can be used on party-line service.

1.04 These dialers are available in the colors shown in Table A. The faceplate provided with each dialer is silver.



Fig. 1—1200AR1 Automatic Dialer and Associated Rotary Service Telephone Set

2. IDENTIFICATION

2.01 Each dialer provides automatic dialing of up to 12 numbers. A number up to 16 digits in length can be stored.

2.02 Design features are as follows:

- Modular unit.
- Solid-state circuit memory.
- Will automatically dial 12 stored numbers.

NOTICE

Not for use or disclosure outside the
Bell System except under written agreement

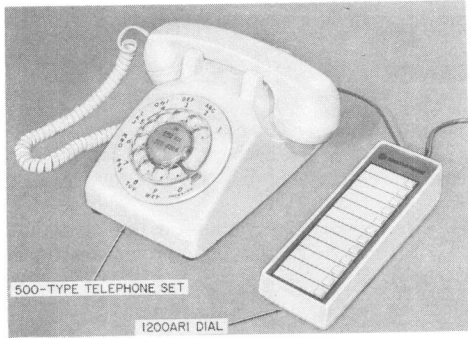


Fig. 2—1200AT1 Automatic Dialer and Associated TOUCH-TONE Service Telephone Set

- Will store up to 16 digits per number.
- Capability to record, change, or delete numbers in memory.
- Single button dialing and directory space for each number.
- Has an internal S1 sounder unit which provides tones for dialing, indicating proper recording procedures, and for checking the battery.
- Battery powered (customer replaceable).
- Recording can be done with handset on- or off-hook. Off-hook recording does not interfere with conversation.
- Record button protected during normal use by faceplate to prevent inadvertent erasure of stored numbers.
- Can be used as a data input device for end-to-end signaling (1200AT1 only).

2.03 Operating features are as follows:

- (a) 12-button memory field with low force, short travel, nonlocking buttons
- (b) RECORD ON/OFF button (top button when faceplate is removed), when momentarily de-

pressed places dialer in the record mode, subsequent operation terminates the recording mode.

2.04 Ordering guide is as follows:

- (a) The 1200AR1 dial is a modular type dialer and may be ordered as follows:

- (1) Dial, 1200AR1- (refer to Table A for color suffix) which includes the following:

- (a) Faceplate, 1200A1-122 (silver)
- (b) Customer Instruction Booklet, CIB-2502
- (c) Battery, KS-21618L2 (9-volt)
- (d) Cord, Mounting, D4BU-29 (2-foot)
- (e) 841386352 Directory Marker (color dots and emergency symbols)
- (f) 841397938 Directory Sheet (double-sided).

- (b) The 1200AT1 dial is a modular type dialer and may be ordered as follows:

- (1) Dial, 1200AT1- (refer to Table A for color suffix) which includes the following:

- (a) Faceplate, 1200A1-122 (silver)
- (b) Customer Instruction Booklet, CIB-2502
- (c) Battery, KS-21618L2 (9-volt)
- (d) Cord, Mounting, D4BU-29 (2-foot)
- (e) 841386352 Directory Marker (color dots and emergency symbols)
- (f) 841396559 Directory Sheet (double-sided).

- (c) Replaceable components are as follows:

- Alkaline Battery, 9-volt (subscriber replacement only)
- Cord, Mounting, D4BU-29 (2-foot)
- Faceplate, 1200A1-122 (silver)
- 841397938 Directory Sheet (double-sided), 1200AT1

- 841397559 Directory Sheet (double-sided), 1200AR1
- Cover, Battery (Table A).

TABLE A
COLOR ORDERING GUIDE

COLOR	SUFFIX	BATTERY COVER
Black	-03	841399264
Ivory	-50	841399272
Green	-51	841399280
Red	-53	841399298
Yellow	-56	841399306
White	-58	841399256
Beige	-60	841399314
Blue	-62	841399322
Brown	-104	841399330
Rust	-124	841399348

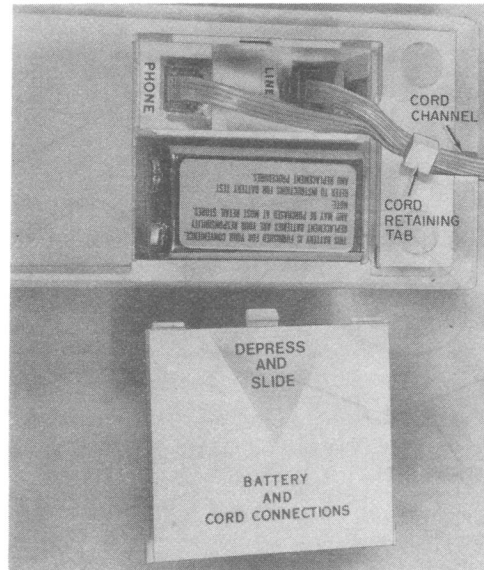


Fig. 3—Location of Battery and Cords

3. INSTALLATION AND CONNECTIONS

3.01 There are two types of installations: standard and special.

A. Standard Installation

3.02 Assure that the CO line is terminated into a connecting block which will accept a standard modular D4BU mounting cord.

3.03 These dialers are shipped with a 9-volt alkaline battery which is to be connected at the time of installation. Remove the battery cover located on bottom side of dial and make the necessary connection (Fig. 3). The battery should last a year under normal telephone usage.

Note: All subsequent batteries will be provided and installed by the subscriber. If service is discontinued, disconnect and discard the battery.

Caution: *If the mounting cords are reversed at the dialer, you cannot break dial tone from the dialer.*

3.04 Plug one end of the standard D4BU mounting cord into LINE jack located under battery

cover of the dialer and other end into connecting block from central office (CO). Plug one end of the 2-foot D4BU telephone set mounting cord (furnished with the dial) into the PHONE jack on dialer and plug other end of the cord into the telephone set mounting cord jack (Fig. 4 or 5).

3.05 Dress the two (2) cords flatwise in the cord channel under the cord retaining tab and replace the battery cover (Fig. 3).

3.06 For proper illumination of incandescent dial lamp in associated telephone set, the total length of modular mounting cords may be limited. Refer to Section 502-303-101 for TRIMLINE® telephone sets and Section 502-703-101 for PRINCESS® telephone sets.

B. Special Installation

3.07 If an RJ32X USOC arrangement using a 635A manufacture discontinued (MD) or 635B connecting block is available, the dialer can be directly connected using a D8AA mounting cord from the con-

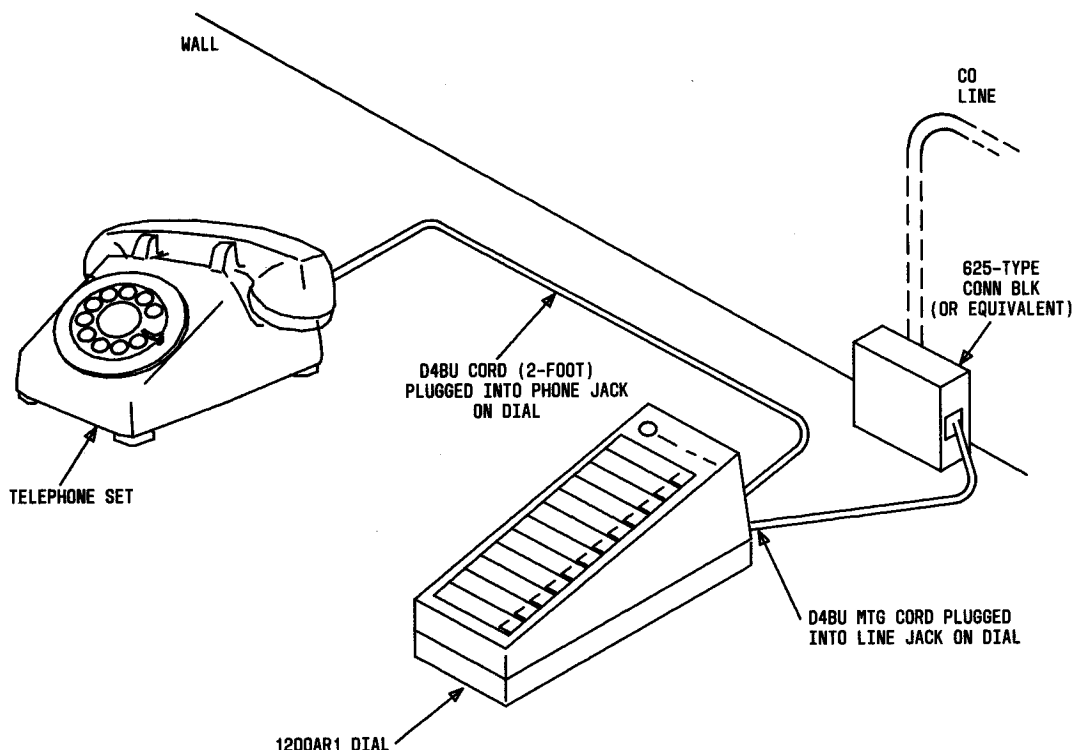


Fig. 4—Recommended Installation Using 1200AR1 Dial

necting block to the line jack on the dial. This arrangement provides a series tip and ring connection through the connecting block. Refer to Section 463-400-130 for additional information.

C. Installation Test

Associated Telephone Set

3.08 Manually dial the appropriate code for ringback to test the telephone set ringer and to check that the telephone operates properly.

Automatic Dialer (1200AR1)

3.09 To test the 1200AR1 dialer, proceed as follows.

- (1) Record a known telephone number into each of the 12 memory locations (see paragraph 4.02).

- (2) Dial a prerecorded number from memory by lifting the handset and listening for dial tone; then depress the desired memory button on the dialer. The dialer does not mute the handset receiver and the signals outpulsed should be heard in the receiver.

Automatic Dialer (1200AT1)

3.10 To test the 1200AT1 dialer, proceed as follows.

- (1) Record digits 1 through 9, *, 0, and # into first memory location (see paragraph 4.02).
- (2) From the subscribers telephone set, manually dial CO dial test and ringer circuit.

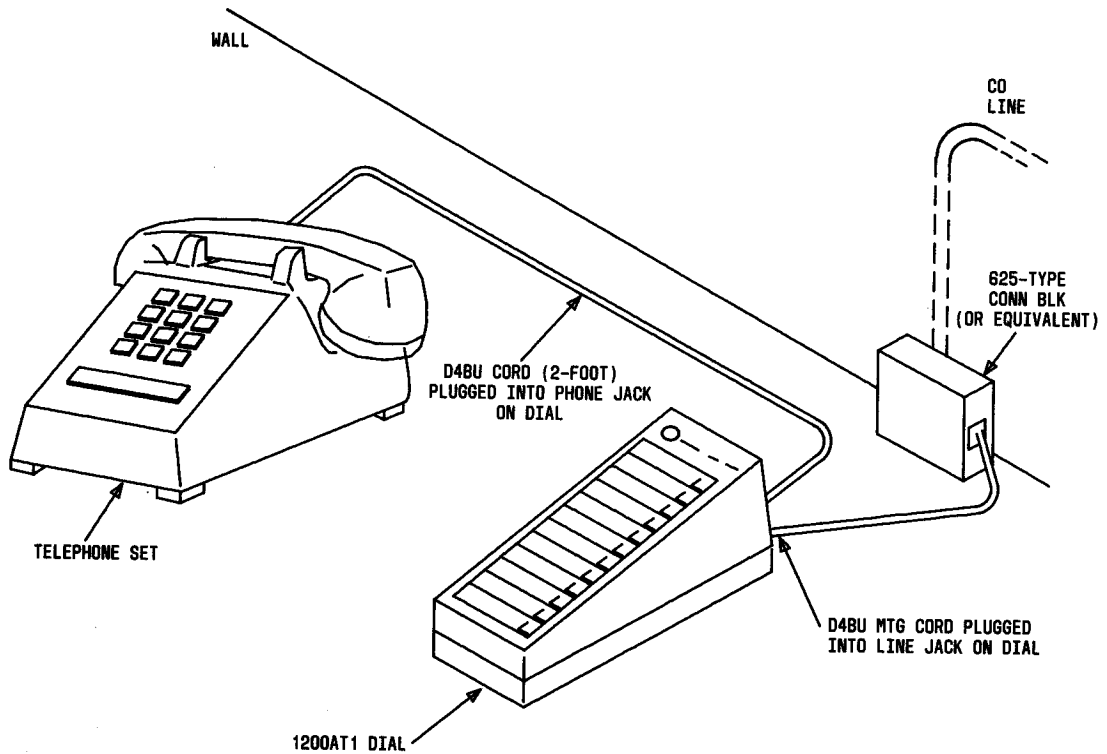


Fig. 5—Recommended Installation Using 1200AT1 Dial

(3) Depress the first memory button (where test information was recorded); verify that correct signal is returned from CO.

4. OPERATION

4.01 The buttons on the dialer serve a dual purpose as follows:

- (1) To select memory locations
- (2) To be used as specific digits when recording a telephone number.

A. To Record a Number Into Memory

4.02 Perform the following operations in sequence.

(1) Remove the dialer faceplate (Fig. 6 or 7) using fingernail in slot at top.

(2) Remove the directory sheet and write or type the desired name(s) and number(s). Replace the directory sheet on the dialer.

Note: The self-adhesive color dots and emergency symbols are furnished with the dialer so that the customer can place them on the directory sheet to emphasize or highlight important telephone numbers.

(3) Momentarily depress the RECORD ON/OFF button (Fig. 8 or 9). A constant tone will be heard.

(4) Momentarily depress the memory button adjacent to the desired name listed on the direc-

tory sheet. (A double interrupt of the tone will be heard.)

(5) Manually dial the desired number using the digit designations to the right of the memory buttons on dialer, *not* the dial of the associated telephone set. (The tone will interrupt momentarily as each digit is recorded.) A total of 16 digits can be recorded. If 16 digits are recorded, the dialer will beep three (3) times and automatically end the recording procedure.



If the dialer is inadvertently left in the record mode it will time out after about 1 minute, give three (3) beeps, and automatically reset.

(6) Momentarily depress the RECORD ON/OFF button. (The tone will cease and the dialer will

be ready either for automatic dialing or to record another number into memory.)

(7) Replace the faceplate after all numbers have been recorded.

B. To Change a Number in Memory

4.03 When a new number is recorded in a previously used memory position it will automatically replace the previously stored number.

C. To Delete a Number From Memory

4.04 Perform the following operations in sequence.

- (1) Remove the dialer faceplate.
- (2) Momentarily depress the RECORD ON/OFF button.

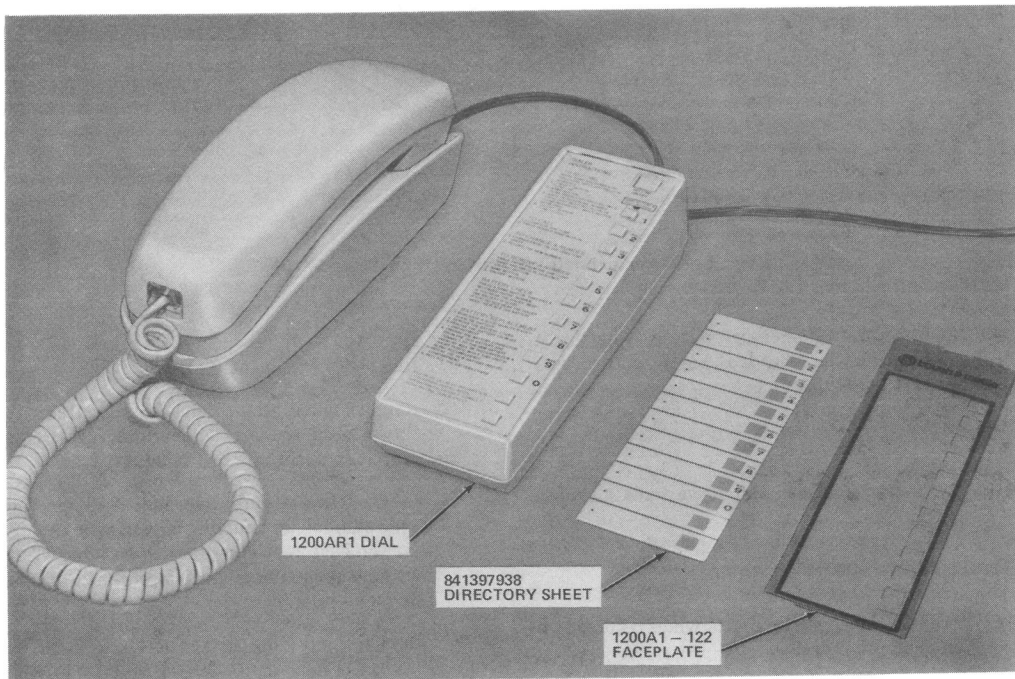


Fig. 6—1200AR1 Dial With Faceplate and Directory Sheet Removed

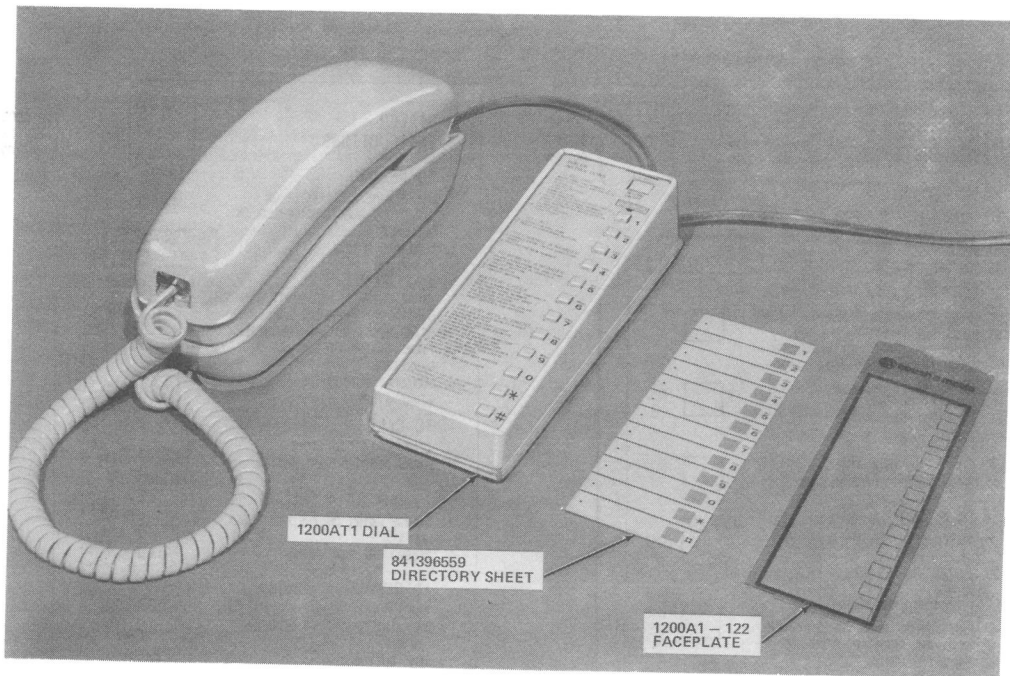


Fig. 7—1200AT1 Dial With Faceplate and Directory Sheet Removed

- (3) Depress the memory button corresponding to the name and number to be deleted.
- (4) Momentarily depress the RECORD ON/OFF button.
- (5) Remove the name and number previously written or typed on the directory sheet.
- (6) Replace the faceplate.

D. To Automatically Dial a Number From Memory

4.05 To automatically dial a number, perform the following.

- (1) Lift the handset off-hook and listen for dial tone.
- (2) Depress the desired memory button on the dialer.

5. MAINTENANCE

5.01 Maintenance is limited to replacement of mounting cord, faceplate, directory sheet, and battery cover.

Caution: Numbers stored in memory may be erased if battery is disconnected for longer than 1 minute during replacement.

5.02 The battery is to be replaced by the customer. Refer to instruction label (Fig. 8 or 9) or Customer Instruction Booklet (CIB) for detailed battery testing and replacement procedures.

5.03 If a dead battery is suspected, replace with a known good battery. If the new battery clears trouble, retrieve the test battery and inform the customer a new battery is required.

DIALER INSTRUCTIONS

RECORD ON/OFF

TO RECORD
WRITE NAME AND NUMBER ON DIRECTORY SHEET AND PRESS IN SEQUENCE

- "ON/OFF" BUTTON (TONE ON)
- NAME BUTTON (TONE BRIEFLY INTERRUPTED TWICE)
- DIGITS OF TELEPHONE NUMBER USING DIGIT BUTTONS ON DIALER (TONE INTERRUPTED WHILE BUTTON DEPRESSED)
- "ON/OFF" BUTTON (TONE STOPS)

TO CALL

- LISTEN FOR DIAL TONE
- PRESS DESIRED NAME BUTTON

TO CHANGE A NUMBER

- CHANGE ENTRY ON THE DIRECTORY SHEET
- RECORD THE NEW NUMBER

TO REMOVE A NUMBER
ERASE ENTRY FROM THE DIRECTORY SHEET AND PRESS IN SEQUENCE

- "ON/OFF" BUTTON
- NAME BUTTON
- "ON/OFF" BUTTON

BATTERY CHECK
PRESS A NAME BUTTON THAT HAS A RECORDED PHONE NUMBER. IF YOU HEAR THE DIALER "BEEP" THE BATTERY IS GOOD. IF YOU DO NOT HEAR THE DIALER "BEEP", REPLACE THE BATTERY

BATTERY REPLACEMENT

- PURCHASE A GOOD QUALITY 9-VOLT ALKALINE BATTERY
- REMOVE THE BATTERY COVER
- REMOVE THE BATTERY FROM ITS COMPARTMENT
- UNSNAP THE BATTERY CONNECTOR FROM THE OLD BATTERY AND CONNECT TO THE NEW BATTERY (MEMORY WILL BE PRESERVED FOR A SHORT PERIOD WHILE THIS STEP IS BEING ACCOMPLISHED)
- INSERT THE NEW BATTERY INTO ITS COMPARTMENT
- REPLACE THE BATTERY COVER

FOR MORE DETAILED INFORMATION CONCERNING INSTALLATION, OPERATION OR TROUBLE CONSULT YOUR INSTRUCTION BOOKLET

NAME BUTTONS & DIGIT BUTTONS

1
ABC 2
DEF 3
GHI 4
JKL 5
MNO 6
PRS 7
TUV 8
WXY 9
0

NAME AND DIGIT BUTTONS

Fig. 8—Instruction Label (1200AR1 Dial)

DIALER INSTRUCTIONS

RECORD ON/OFF

TO RECORD
WRITE NAME AND NUMBER ON DIRECTORY SHEET AND PRESS IN SEQUENCE

- "ON/OFF" BUTTON (TONE ON)
- NAME BUTTON (TONE BRIEFLY INTERRUPTED TWICE)
- DIGITS OF TELEPHONE NUMBER USING DIGIT BUTTONS ON DIALER (TONE INTERRUPTED WHILE BUTTON DEPRESSED)
- "ON/OFF" BUTTON (TONE STOPS)

TO CALL

- LISTEN FOR DIAL TONE
- PRESS DESIRED NAME BUTTON

TO CHANGE A NUMBER

- CHANGE ENTRY ON THE DIRECTORY SHEET
- RECORD THE NEW NUMBER

TO REMOVE A NUMBER
ERASE ENTRY FROM THE DIRECTORY SHEET AND PRESS IN SEQUENCE

- "ON/OFF" BUTTON
- NAME BUTTON
- "ON/OFF" BUTTON

BATTERY CHECK
PRESS A NAME BUTTON THAT HAS A RECORDED PHONE NUMBER. IF YOU HEAR THE DIALER "BEEP" THE BATTERY IS GOOD. IF YOU DO NOT HEAR THE DIALER "BEEP", REPLACE THE BATTERY

BATTERY REPLACEMENT
DESK SETS AND ADJUNCT SETS BEGIN WITH STEP 2

- WALL SETS MUST FIRST BE REMOVED FROM WALL BY PUSHING UP THEN PULLING SET AWAY FROM WALL. TO REPLACE: ALIGN SET WITH WALL MOUNT THEN PUSH DOWN TO SECURE
- USE A 9-VOLT ALKALINE BATTERY
- TURN SET OVER AND REMOVE BATTERY FROM COVERED WELL
- UNSNAP OLD BATTERY (MEMORY WILL BE PRESERVED FOR A SHORT PERIOD OF TIME WHEN BATTERY IS DISCONNECTED)
- INSERT NEW BATTERY INTO WELL REPLACE COVER OVER BATTERY WELL

FOR MORE DETAILED INFORMATION CONCERNING INSTALLATION, OPERATION OR TROUBLE CONSULT YOUR INSTRUCTION BOOKLET

NAME BUTTONS & DIGIT BUTTONS

1
ABC 2
DEF 3
GHI 4
JKL 5
MNO 6
PRS 7
TUV 8
WXY 9
0
*
#

NAME AND DIGIT BUTTONS

Fig. 9—Instruction Label (1200AT1 Dial)