

1200AR1 "TOUCH-A-MATIC" 12 ADJUNCT DIAL

IDENTIFICATION, INSTALLATION, CONNECTIONS, OPERATION, AND MAINTENANCE

1. GENERAL

- 1.01** This section contains information on the 1200AR1 TOUCH-A-MATIC 12 adjunct dial.
- 1.02** Whenever this section is reissued, the reason for reissue will be listed in this paragraph.
- 1.03** This dial is factory-wired to interface with a modular single line or two line (first line only) telephone set equipped for rotary dial service (Fig. 1). The dial is used in locations where the central office is equipped for rotary or TOUCH-TONE® dial service. It can also be used on party line service.
- 1.04** This dial is available in the colors shown in Table A. The faceplate provided with each dial is silver.



Fig. 1—Adjunct Dial and Associated Telephone Set

* Trademark of American Telephone and Telegraph Company

TABLE A

COLOR ORDERING GUIDE

COLOR	SUFFIX	BATTERY COVER
Black	-03	841399264
Ivory	-50	841399272
Green	-51	841399280
Red	-53	841399298
Yellow	-56	841399306
White	-58	841399256
Beige	-60	841399314
Blue	-62	841399322
Brown	-104	841399330
Rust	-124	841399348

2. IDENTIFICATION

2.01 The dial provides automatic dialing of up to 12 frequently called telephone numbers. A number up to 16-digits in length can be stored.

2.02 Design Features:

- Modular unit
- Solid state circuit memory
- Will automatically dial up to 12 preprogrammed telephone numbers
- Will store up to 16-digits per number
- Capability to record, change, or delete numbers in memory
- Single button dialing and directory space for each telephone number
- Has an internal S1 sounder unit which provides tones for dialing, indicating proper

NOTICE

Not for use or disclosure outside the Bell System except under written agreement

recording procedures, and for checking the battery

- Battery powered (customer replaceable)
- Recording can be done with handset on- or off-hook. Off-hook recording does not interfere with conversation
- Record button protected during normal use by faceplate to prevent inadvertent erasure of stored numbers.

2.03 *Operating Features:*

- 12-button memory field with low force, short travel nonlocking buttons
- RECORD ON/OFF button (top button when faceplate is removed), when momentarily depressed places adjunct dial in the record mode, subsequent operation terminates the recording mode.

2.04 *Ordering Guide.*

(a) The 1200AR1 dial is a modular type adjunct dial and may be ordered as follows.

- Dial, 1200AR1-† (includes the following):
- Faceplate, 1200A1-122 (silver)
- Customer Instruction Booklet, CIB-2502F
- Battery, KS-21618L2 (9-volt)
- Cord, Mounting, D4BU-29 (2-foot)
- 841386352 Directory Marker (color dots)
- 841397938 Directory Sheet (double-sided).

(b) *Replaceable Components:*

- Alkaline Battery, 9-volt (subscriber replacement only)
- Cord, Mounting, D4BU-29 (2-foot)
- Faceplate, 1200A1-122 (silver)

† Add color suffix, Table A.

- 841397938 Directory Sheet (double-sided)
- Cover, Battery (Table A).

3. INSTALLATION AND CONNECTIONS

3.01 There are two types of installations—standard and special.

A. Standard Installation

3.02 Assure that the central office (CO) line is terminated into a connecting block which will accept a standard modular D4BU mounting cord.

3.03 This adjunct dial is shipped with a 9-volt alkaline battery which is to be connected at the time of installation. Remove the battery cover located on bottom side of dial and make the necessary connection (Fig. 2). The battery should last a year under normal telephone usage.



All subsequent batteries will be provided and installed by the subscriber. If service is discontinued, disconnect and discard the battery.

3.04 Plug one end of the standard D4BU telephone set mounting cord into LINE jack located under battery cover of the dial and other end into connecting block from CO. Plug one end of the two-foot D4BU mounting cord (furnished with the dial) into the PHONE jack on adjunct dial and plug other end of the cord into the telephone set mounting cord jack (Fig. 3).

3.05 Dress the two (2) cords flatwise in the cord channel under the cord retaining tab and replace the battery cover (Fig. 2).

3.06 For proper illumination of incandescent dial lamp in associated telephone set, the total length of modular mounting cords may be limited. For additional information on incandescent dial lighting for TRIMLINE® telephone sets refer to Section 502-303-101 and for PRINCESS® sets Section 502-703-101.

B. Special Installation

3.07 If an RJ32X USOC arrangement using a 635A (MD) or 635B connecting block is available, the dial can be directly connected using

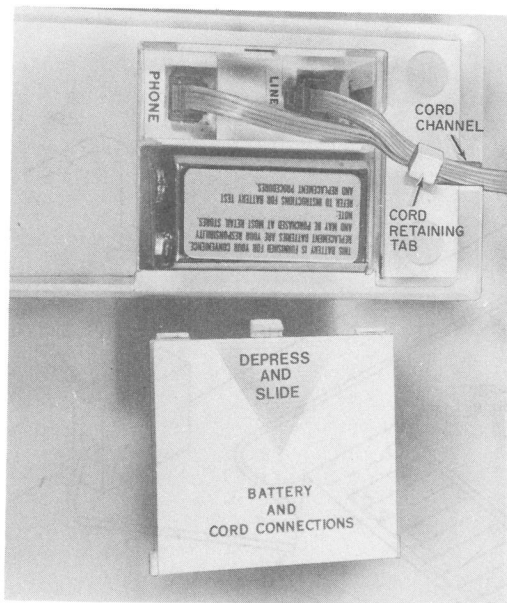


Fig. 2—Location of Battery and Cords

a D8AA mounting cord from the connecting block to the line jack on the dial. This arrangement provides a series tip and ring connection through the connecting block. Refer to Section 463-400-130 additional information.

C. Installation Test

Associated Telephone Set

3.08 Manually dial the appropriate code for ring-back to test the telephone set ringer and to check that the telephone operates properly.

Adjunct Dial

3.09 To test the adjunct dial proceed as follows.

- (1) Record a known telephone number into each of the 12 memory locations (see paragraph 4.02).
- (2) Automatically dial a number from memory by lifting the handset and listening for dial tone; then depress the desired memory button

on the adjunct dial. The dial does not mute the handset receiver and the signals outpulsed should be heard in the receiver.

4. OPERATION

4.01 The buttons on the adjunct dial serve a dual purpose.

- (1) To select memory locations.
- (2) To be used as specific digits when recording a telephone number.

A. To Record a Number Into Memory

4.02 Perform the following operations in sequence.

- (1) Remove the adjunct dial faceplate (Fig. 4), using fingernail in slot at top.
- (2) Remove the directory sheet and write or type the desired name(s) and telephone number(s). Replace the directory sheet on the dial.

Note: The self-adhesive color dots are furnished with the dial so that the customer can place them on the directory sheet to emphasize or highlight important telephone numbers.

- (3) Momentarily depress the RECORD ON/OFF button (Fig. 3). (A double tone will be heard.)
- (4) Momentarily depress the memory button adjacent to the desired name listed on the directory sheet. (A double interrupt of the tone will be heard.)
- (5) Manually dial the desired telephone number using the digit designations to the right of the memory buttons on adjunct dial, **not** the dial of the associated telephone set. (The tone will interrupt momentarily as each digit is recorded.) A total of 16-digits can be recorded. If 16-digits are recorded the dial will beep three (3) times and automatically end the recording procedure.

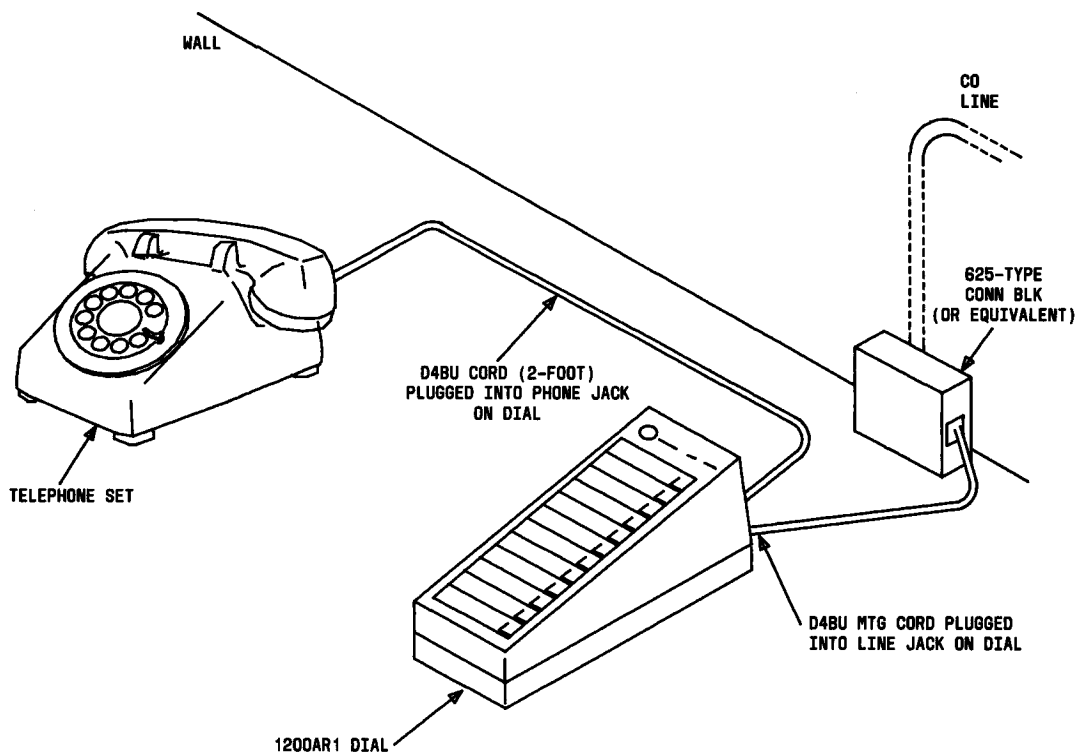


Fig. 3—Recommended Installation for Single Line Modular Desk Type Telephone Set



If the dialer is inadvertently left in the record mode it will time out after about one (1) minute, give three (3) beeps, and automatically reset.

(6) Momentarily depress the RECORD ON/OFF button. (The tone will cease and the dialer will be ready either for automatic dialing or to record another telephone number into memory.)

(7) Replace the faceplate after all numbers have been recorded.

B. To Change a Number In Memory

4.03 When a new number is recorded in a previously used memory position it will automatically replace the previously stored number.

C. To Delete A Number From Memory

4.04 Perform the following operations in sequence.

(1) Remove the adjunct dial faceplate.

(2) Momentarily depress the RECORD ON/OFF button.

(3) Depress the memory button corresponding to the name and telephone number to be deleted.

(4) Momentarily depress the RECORD ON/OFF button.

(5) Remove the persons name and telephone number previously written or typed on the directory sheet.

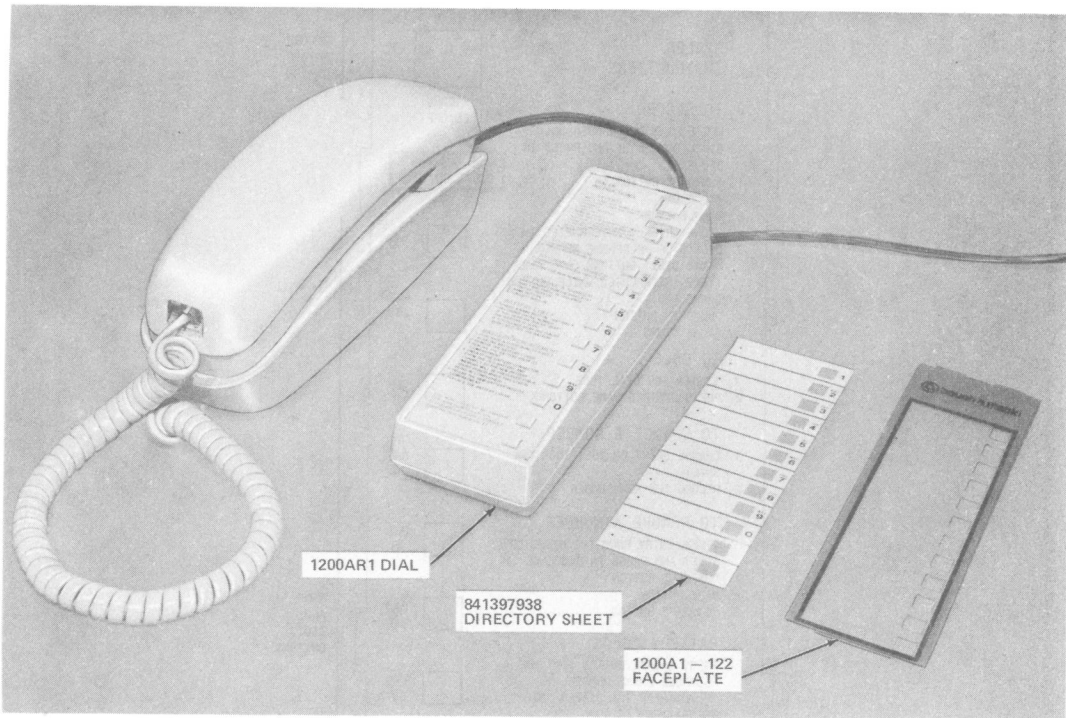


Fig. 4—1200AR1 Dial With Faceplate and Directory Sheet Removed

(6) Replace the faceplate.

D. To Automatically Dial A Number From Memory

4.05 To automatically dial a number.

- (1) Lift the handset off-hook and listen for dial tone.
- (2) Depress the desired memory button on the adjunct dial.

5. MAINTENANCE

5.01 Maintenance is limited to replacement of mounting cord, faceplate, directory sheet, and battery cover.

5.02 The battery is to be replaced by the customer. Refer to instruction label (Fig. 5) or Customer Instruction Booklet (CIB) for detailed battery testing and replacement procedures.

Caution: Telephone numbers stored in memory may be erased if battery is disconnected for longer than 1 minute during replacement.

5.03 If a dead battery is suspected, replace with a known good battery from another set. If the new battery clears trouble, retrieve the test battery and inform the customer a new battery is required.

DIALER INSTRUCTIONS

TO RECORD
WRITE NAME AND NUMBER ON DIRECTORY SHEET AND PRESS IN SEQUENCE

1. "ON/OFF" BUTTON (TONE ON)
2. NAME BUTTON (TONE BRIEFLY INTERRUPTED TWICE)
3. DIGITS OF TELEPHONE NUMBER USING DIGIT BUTTONS ON DIALER (TONE INTERRUPTED WHILE BUTTON DEPRESSED)
4. "ON/OFF" BUTTON (TONE STOPS)

TO CALL

1. LISTEN FOR DIAL TONE
2. PRESS DESIRED NAME BUTTON

TO CHANGE A NUMBER

1. CHANGE ENTRY ON THE DIRECTORY SHEET
2. RECORD THE NEW NUMBER

TO REMOVE A NUMBER
ERASE ENTRY FROM THE DIRECTORY SHEET AND PRESS IN SEQUENCE

1. "ON/OFF" BUTTON
2. NAME BUTTON
3. "ON/OFF" BUTTON

BATTERY CHECK
PRESS A NAME BUTTON THAT HAS A RECORDED PHONE NUMBER. IF YOU HEAR THE DIALER "BEEP" THE BATTERY IS GOOD. IF YOU DO NOT HEAR THE DIALER "BEEP", REPLACE THE BATTERY

BATTERY REPLACEMENT

1. PURCHASE A GOOD QUALITY 9-VOLT ALKALINE BATTERY
2. REMOVE THE BATTERY COVER
3. REMOVE THE BATTERY FROM ITS COMPARTMENT
4. UNSNAP THE BATTERY CONNECTOR FROM THE OLD BATTERY AND CONNECT TO THE NEW BATTERY (MEMORY WILL BE PRESERVED FOR A SHORT PERIOD WHILE THIS STEP IS BEING ACCOMPLISHED)
5. INSERT THE NEW BATTERY INTO ITS COMPARTMENT
6. REPLACE THE BATTERY COVER

FOR MORE DETAILED INFORMATION CONCERNING INSTALLATION, OPERATION OR TROUBLE CONSULT YOUR INSTRUCTION BOOKLET

RECORD ON/OFF BUTTON

NAME BUTTONS & DIGIT BUTTONS

NAME AND DIGIT BUTTONS

1

ABC 2

DEF 3

GHI 4

JKL 5

MNO 6

PRS 7

TUV 8

WXY 9

0

Fig. 7—Instruction Label